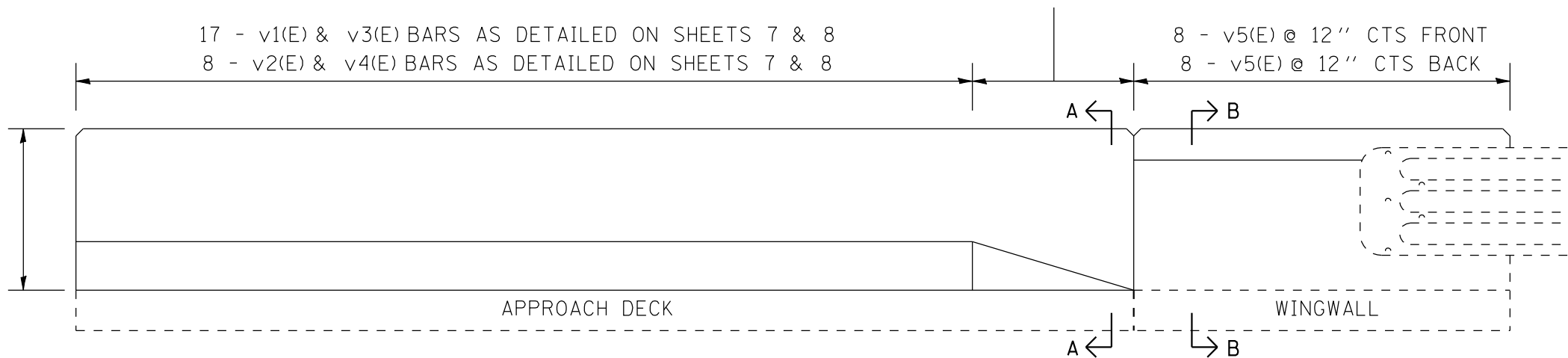


3 - v3(E) @ 12" CTS & 2 - v4(E) @ 24" CTS FRONT  
3 - v3(E) @ 12" CTS & 1 - v4(E) BACK (SEE DETAIL)

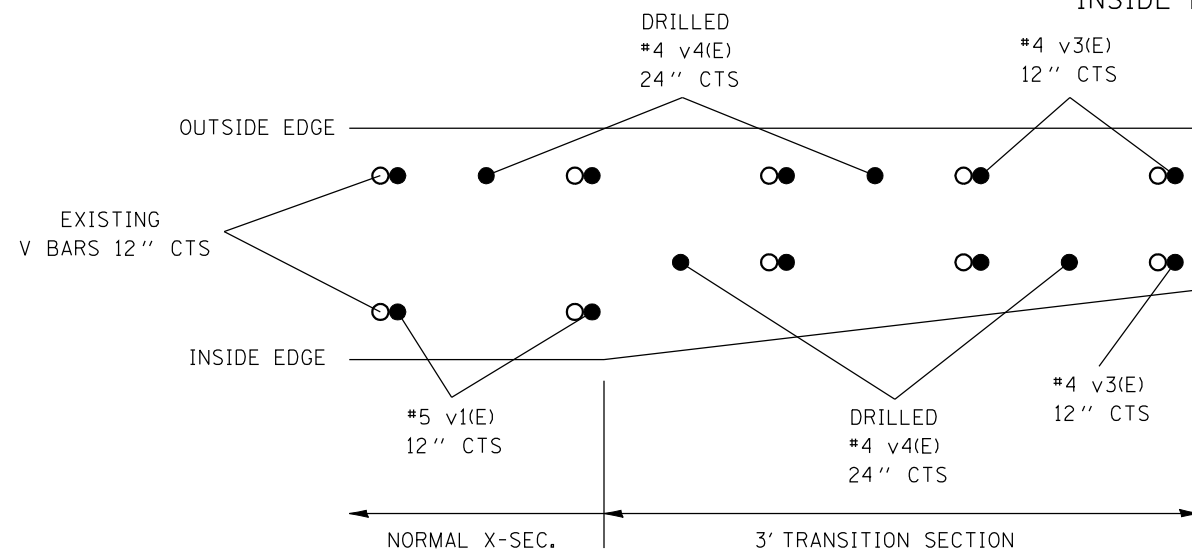
17 - v1(E) & v3(E) BARS AS DETAILED ON SHEETS 7 & 8  
8 - v2(E) & v4(E) BARS AS DETAILED ON SHEETS 7 & 8

8 - v5(E) @ 12" CTS FRONT  
8 - v5(E) @ 12" CTS BACK

#4 e(E), e3(E),  
AND e6(E) BARS  
AS DETAILED  
ON SHEETS 6 & 7  
(TRIM BOTTOM  
BAR 3' FOR  
WALL TAPER)



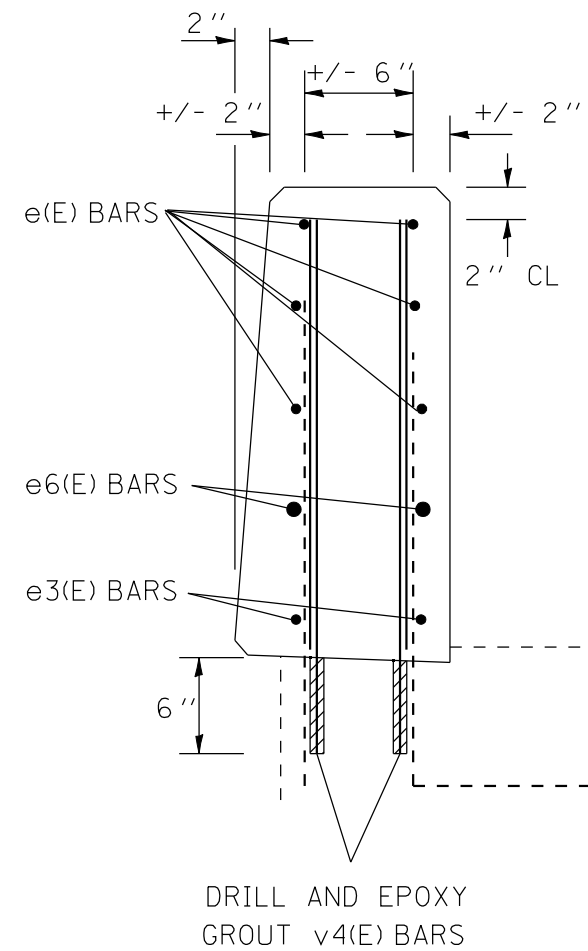
PROPOSED APPROACH SLAB RE-BAR  
INSIDE ELEVATION VIEW



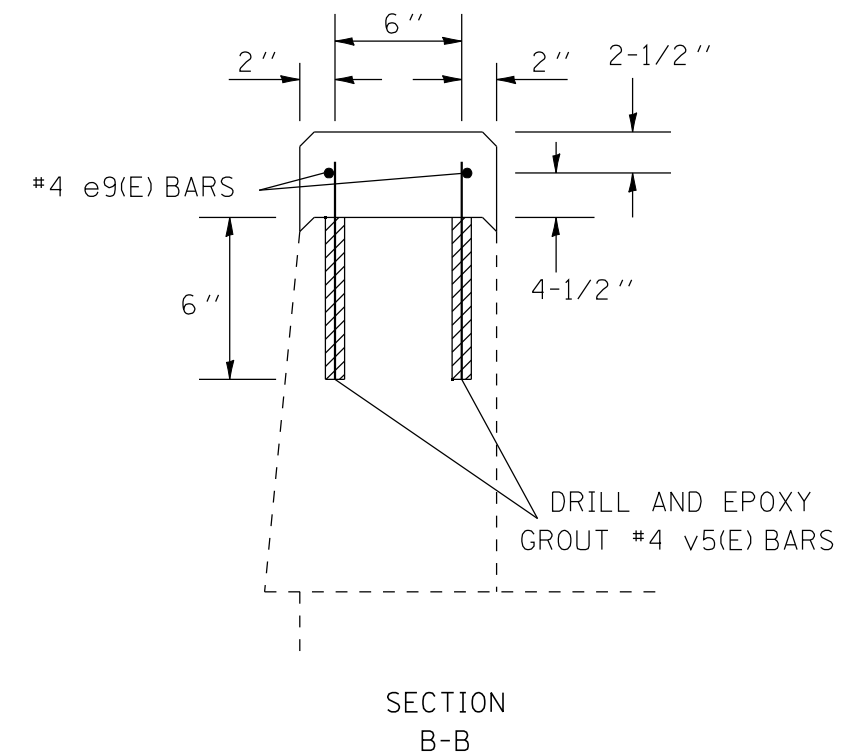
PLAN VIEW @ PARAPET BASE  
(VERTICAL BARS ONLY)

NOTES:

v2(E) AND v4(E) BARS SHALL BE DRILLED AND EPOXY GROUTED IN PLACE ACCORDING TO ARTICLE 584 OF THE STANDARD SPECIFICATIONS. DRILLING DEPTH SHALL BE APPROX. DOWN TO THE BOTTOM LAYER OF DECK STEEL (+/- 6"). v2(E) AND v4(E) BARS SHALL ALTERNATE WITH EACH OTHER AS DETAILED IN THE PLAN DRAWING.



SECTION A-A



SECTION B-B

CONTRACT 72A37  
APPROACH SPAN  
RE-BAR DETAIL  
(NOT TO SCALE)