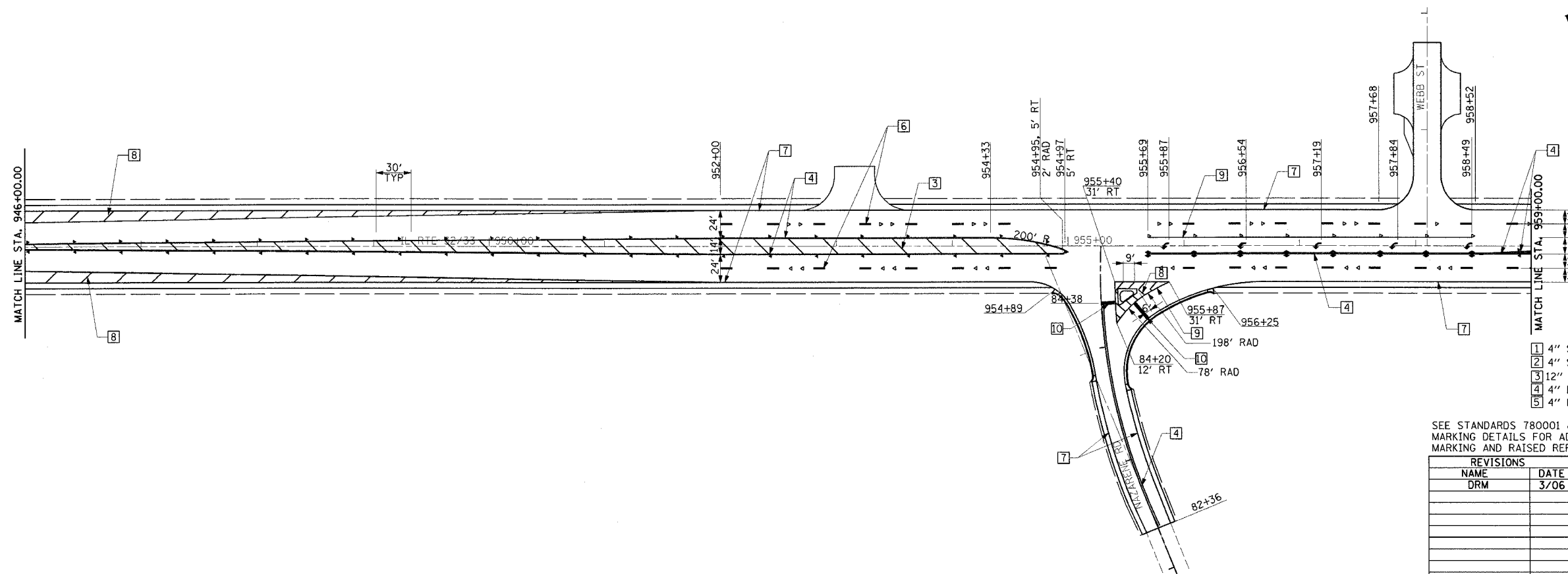
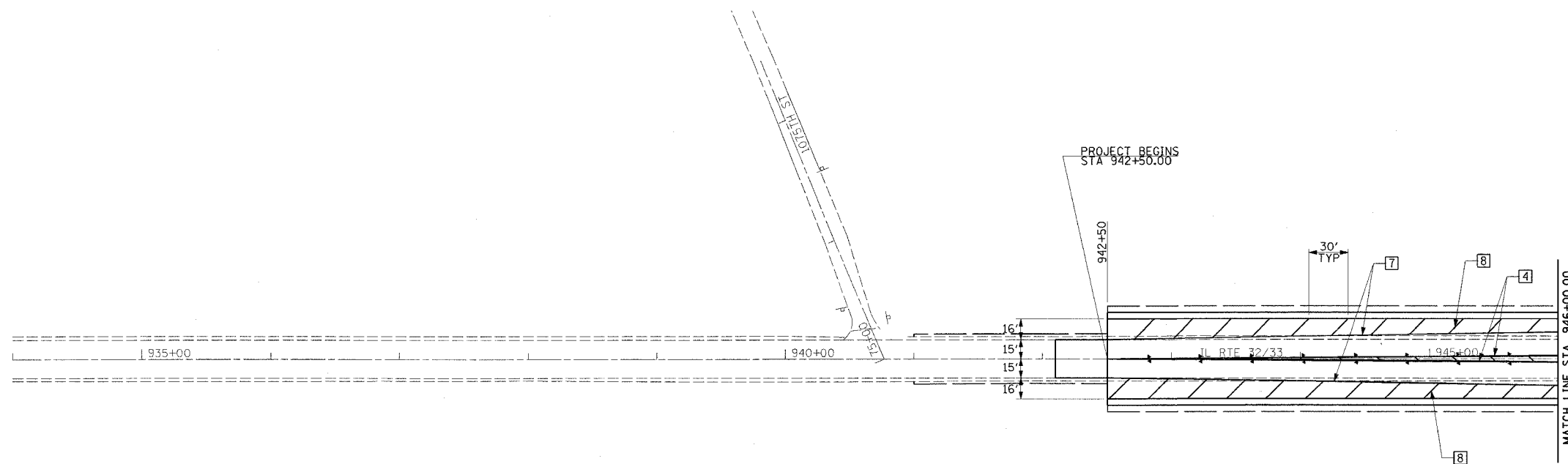
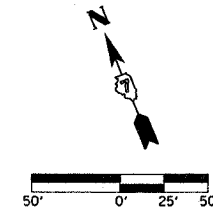


F.A.P. RTE.	SECTION	COUNTY	TOTAL SHEETS	SHEET NO.
774	(107, 107Z) I-2	EFFINGHAM	12	6
FED. ROAD DIST. NO.	ILLINOIS	FED. AID PROJECT		

CONTRACT NO. 74129



LEGEND

- RAISED REFL PAVT MKR AMBER BIDIRECTIONAL
- RAISED REFL PAVT MKR AMBER MONODIRECTIONAL
- RAISED REFL PAVT MKR CRYSTAL MONODIRECTIONAL
- ITEM 4 DOUBLE YELLOW (NARROW)
- ITEM 5 DOUBLE YELLOW (WIDE)

TYPICAL PAVEMENT MARKING LEGEND

- 1 4" SKIP-DASH YELLOW
- 2 4" SOLID YELLOW
- 3 12" DIAGONAL YELLOW
- 4 4" DOUBLE YELLOW NARROW
- 5 4" DOUBLE YELLOW WIDE
- 6 6" SKIP-DASH WHITE
- 7 4" SOLID WHITE
- 8 12" DIAGONAL WHITE
- 9 6" SOLID WHITE
- 10 24" STOP BAR WHITE

SEE STANDARDS 780001 & 781001 AND DISTRICT PAVEMENT MARKING DETAILS FOR ADDITIONAL DETAILS FOR PAVEMENT MARKING AND RAISED REFLECTIVE PAVEMENT MARKERS.

REVISIONS	
NAME	DATE
DRM	3/06

ILLINOIS DEPARTMENT OF TRANSPORTATION
 PAVEMENT MARKING PLAN
 SHEET 1 OF 5
 DATE 8/02
 DRAWN BY ASB
 CHECKED BY SJK