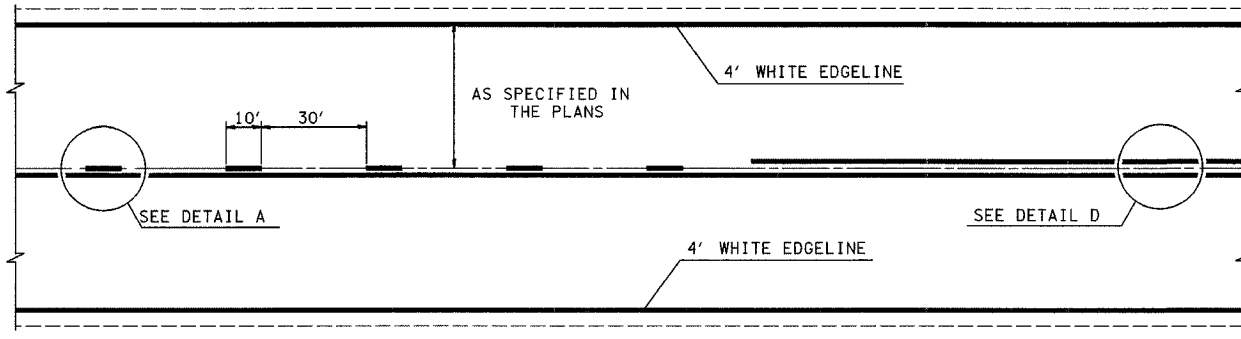


1 2 3 4 5 6 7 8 9
 10 11 12 13 14 15 16 17 18 19 20 21 22 23 24 25 26 27 28 29 30 31 32 33 34 35 36 37 38 39 40 41 42 43 44 45 46 47 48 49 50 51 52 53 54 55 56 57 58 59 60 61 62 63

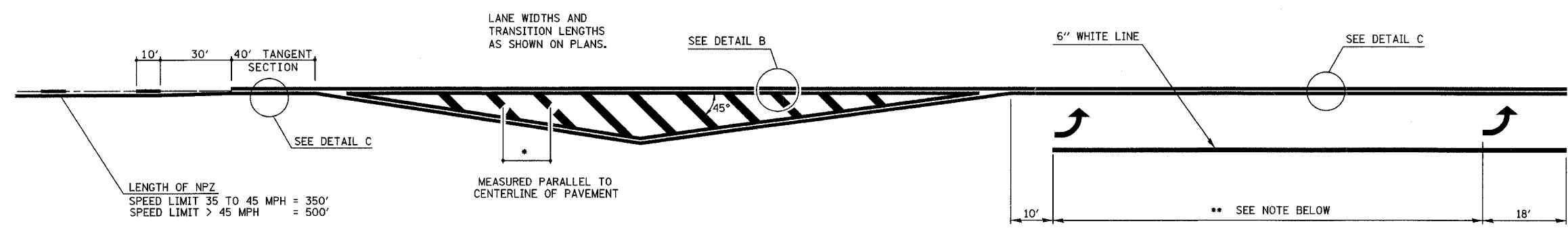
\$\$\$DATE\$\$\$
 DGN-SPEC
 MMO REV: 05-06-96
 EPMD

RTL	SECTION	COUNTY	TOTAL SHEETS	SHEET NO.
774	(107, 107Z) I-2	EFFINGHAM	12	11
FED. ROAD DIST. NO. 7		ILLINOIS	FED. AID PROJECT NO.	

CONTRACT NO. 74129



TYPICAL CENTERLINE, NO PASSING ZONE LINE (NPZ) & EDGELINE MARKINGS
 2-LANE PAVEMENT



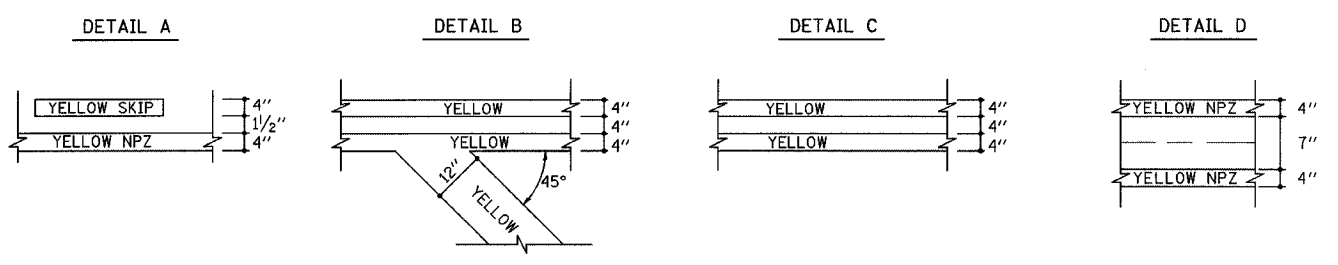
LENGTH OF NPZ
 SPEED LIMIT 35 TO 45 MPH = 350'
 SPEED LIMIT > 45 MPH = 500'

*DIAGONAL SPACING

SPEED LIMIT	< 30 MPH	= 15'
SPEED LIMIT	30 TO 45 MPH	= 20'
SPEED LIMIT	> 45 MPH	= 30'

** PLACE THE FIRST ARROW EVEN WITH THE BEGINNING OF THE TURN BAY.
 PLACE ANOTHER ARROW 18' BACK FROM THE STOP BAR, IF REQUIRED,
 ADD ADDITIONAL ARROWS TO MAINTAIN A MAXIMUM OF 80' SPACING.

- NOTES:
1. OMIT EDGELINE THRU SIDE ROADS.
 2. TAPER RATES, LANE WIDTHS, AND STORAGE LENGTHS AS SHOWN ON THE PLANS.
 3. WHEN MEDIANS ARE PRESENT, PLACE A SINGLE YELLOW STRIPE AROUND ITS PERIMETER.



REVISIONS	
NAME	DATE
MMO	12-99
DRM	08-04

NOT TO SCALE

ILLINOIS DEPARTMENT OF TRANSPORTATION

TYPICAL APPLICATION OF PAVEMENT MARKINGS

SHEET 1 OF 2

SCALE: VERT. _____
 HORIZ. _____

DATE _____ ISSUED: 05-06-96

DRAWN BY _____
 CHECKED BY _____

DGN-SPEC
 DATE