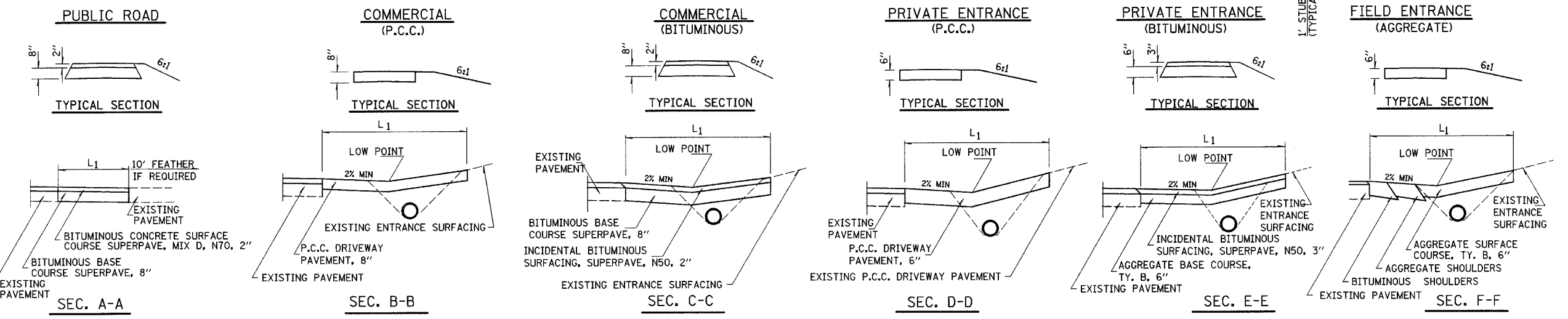
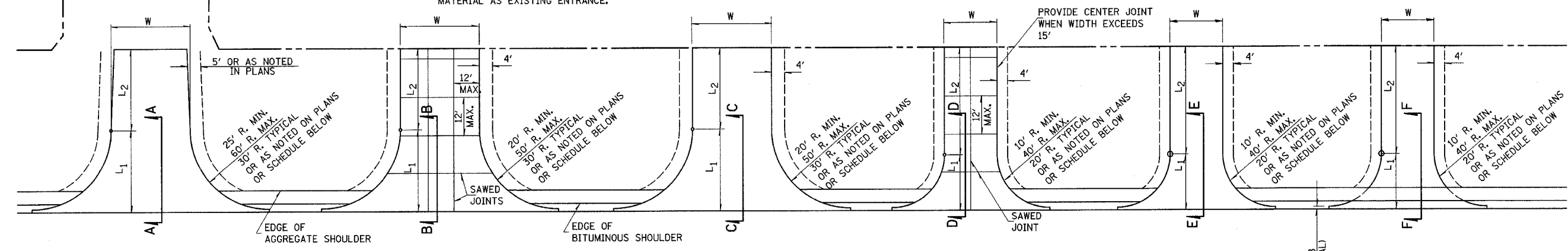


F.A.P. RTE.	SECTION	COUNTY	TOTAL SHEETS	SHEET NO.
774	107 WRS-2, L	EFFINGHAM	127	17
FED. ROAD DIST. NO.		ILLINOIS FED. AID PROJECT		

CONTRACT NO. 74130

L₁ = DISTANCE FROM EDGE OF PAVEMENT TO RADIUS POINT OR MAX. DISTANCE 30'
L₂ = DISTANCE FROM RADIUS POINT OR MAX. DISTANCE 30' OFF EDGE OF PAVEMENT TO R.O.W. LINE.
NOTE: MATERIAL USED TO CONSTRUCT L₂ LENGTH SHALL BE OF THE SAME TYPE OF MATERIAL AS EXISTING ENTRANCE.



ENTRANCE SCHEDULE

EXIST SURFACE	TYPE	SIDE/STATION	WIDTH	LENGTH		RADI	AGGREGATE BASE COURSE TYPE B TON	BITUMINOUS BASE COURSE SUPERPAVE, 8" SQ. YD.	AGGREGATE SURFACE COURSE TYPE B TON	INCID. BIT. SURFACING, SUPERPAVE, N50 TON	P.C.C. DRIVEWAY PAVT		BIT. CONCRETE SURFACE COURSE SUPERPAVE, MIX D, N70 TON	TEMPORARY ACCESS (PE) EACH	TEMPORARY ACCESS (CE) EACH
				L ₁	L ₂						6"	8"			
EARTH	FE	RT/891+01.17	12'	20'	8'	20'		5						1	
AGG	PE	LT/891+22.08	24'	30'	8'	30'	42	7	21					1	
CONC	CE	RT/894+30.00	35'	30'	56'	30'						377			1
CONC	CE	LT/904+04.27	24'	30'	13'	30'						158			1
EARTH	FE	RT/904+30.49	12'	20'	23'	20'		5						1	
EARTH	FE	LT/907+25.00	12'	20'	23'	20'		5						1	
AGG	CE	RT/910+06.27	35'	30'	13'	30'		157	18						1
AGG	CE	RT/913+87.84	35'	30'	13'	30'		160	18						1
EARTH	FE	RT/918+51.20	18	20'	18'	20'		7						1	
AGG	PE	LT/924+80.00	13'	20'	11'	20'	24	1	12					1	
EARTH	FE	RT/926+50.00	12'	20'	23'	20'		5						1	
EARTH	FE	LT/932+90.00	12'	20'	23'	20'		5						1	
EARTH	FE	RT/934+20.00	12'	20'	23'	20'		5						1	
EARTH	FE	RT/941+00.00	20'	20'	23'	20'		7						1	
BIT	MB	LT/50+16.00	③				4			2					
CONC	PE	LT/50+35.00	24'	20'	7'	20'					91			1	
AGG	PE	RT/50+49.52	24'	15'	-	15'	18			9				1	
AGG	PE	RT/51+28.05	24'	15'	-	15'	18			9				1	
AGG	CE	LT/60+98.00	31'	25'	-	25'		112	13						1
BIT	MB	LT/62+26.08	③				4			2					
CONC	CE	LT/62+50.19	35'	20'	5'	20'						117			1
AGG	FE	RT/66+35.00	16'	20'	36'	20'		78						1	
AGG	PE	RT/230+90.56	15'	10'	2.5'	10'	9	1	4					1	

PUBLIC ROAD SCHEDULE

EXIST SURFACE	SIDE/STATION	WIDTH	LENGTH		RADI	AGGREGATE BASE COURSE TYPE B TON	BITUMINOUS BASE COURSE SUPERPAVE, 8" SQ. YD.	BIT. CONCRETE SURFACE COURSE SUPERPAVE, MIX D, N70 TON	TEMPORARY ACCESS (ROAD) EACH
			L ₁	L ₂					
O&C	1700TH AVE RT/544+65.39	-	-	-	-		152	17	1
O&C	1700TH AVE LT/544+65.39	-	-	-	-		435	48	1
BIT	IL RTE 32 LT/551+74.79	②	-	-	-				1
O&C	1000TH ST LT/896+43.01	-	-	-	-		529	59	1
BIT	LAKE SARA RD RT/896+48.57	①	-	-	-				1
O&C	STONERIDGE DR LT/913+90.65	-	-	-	-		273	31	1
O&C	1075TH ST LT/940+77.10	-	-	-	-		389	44	1
AGG	UNNAMED RD LT/218+22.91	-	-	-	-		90	10	1
O&C	1700TH AVE LT/52+00.09	-	-	-	-		249	28	1
O&C	1700TH AVE RT/52+00.09	-	-	-	-		253	28	1

PUBLIC ACCESS	STATION RANGE
IL RTE 32	49+90.00 - 56+03.00
RELOCATED 1700TH AVE	217+00.00 - 231+08.24
LAKE SARA RD	60+00.00 - 64+00.00
1000TH ST	65+00.00 - 70+21.01
STONERIDGE DR	70+00.00 - 71+00.00
1075TH ST	75+00.00 - 76+62.13

- ① AT LAKE SARA RD AND NAZARENE RD: RETURN NOT REBUILT. EXISTING ROAD WIDENED. SEE "SCHEDULE OF QUANTITIES"
- ② AT IL RTE 32: SEE "SCHEDULE OF QUANTITIES" FOR RADIUS RETURN QUANTITY.
- ③ SEE STANDARD 406201 FOR DETAILS. SEE SECTION E-E FOR SIMILAR SECTION.

REVISIONS	
NAME	DATE

ILLINOIS DEPARTMENT OF TRANSPORTATION

RURAL ENTRANCE DETAILS & SCHEDULES

DRAWN BY DIST 7
CHECKED BY BWC

DATE 8/02

DGN-SPEC
DATE