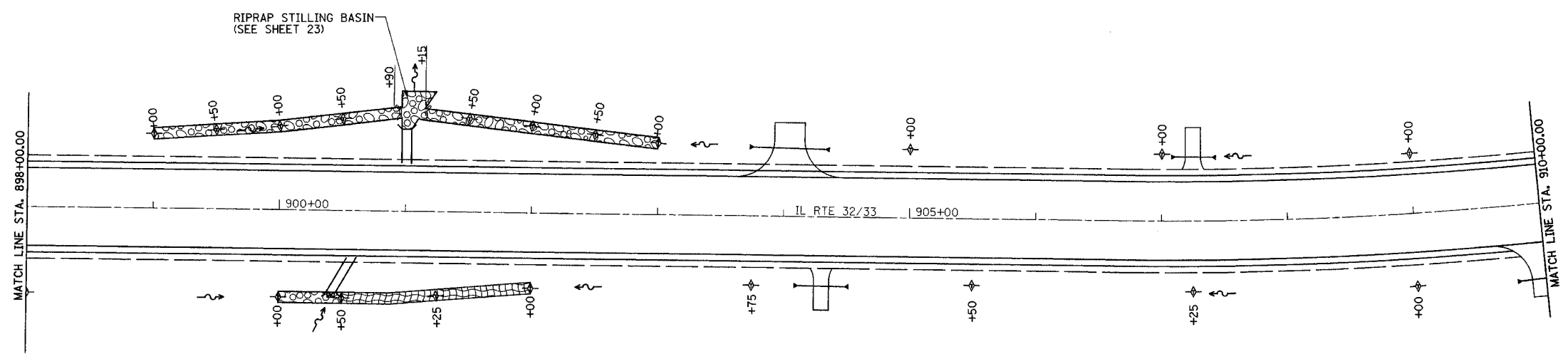
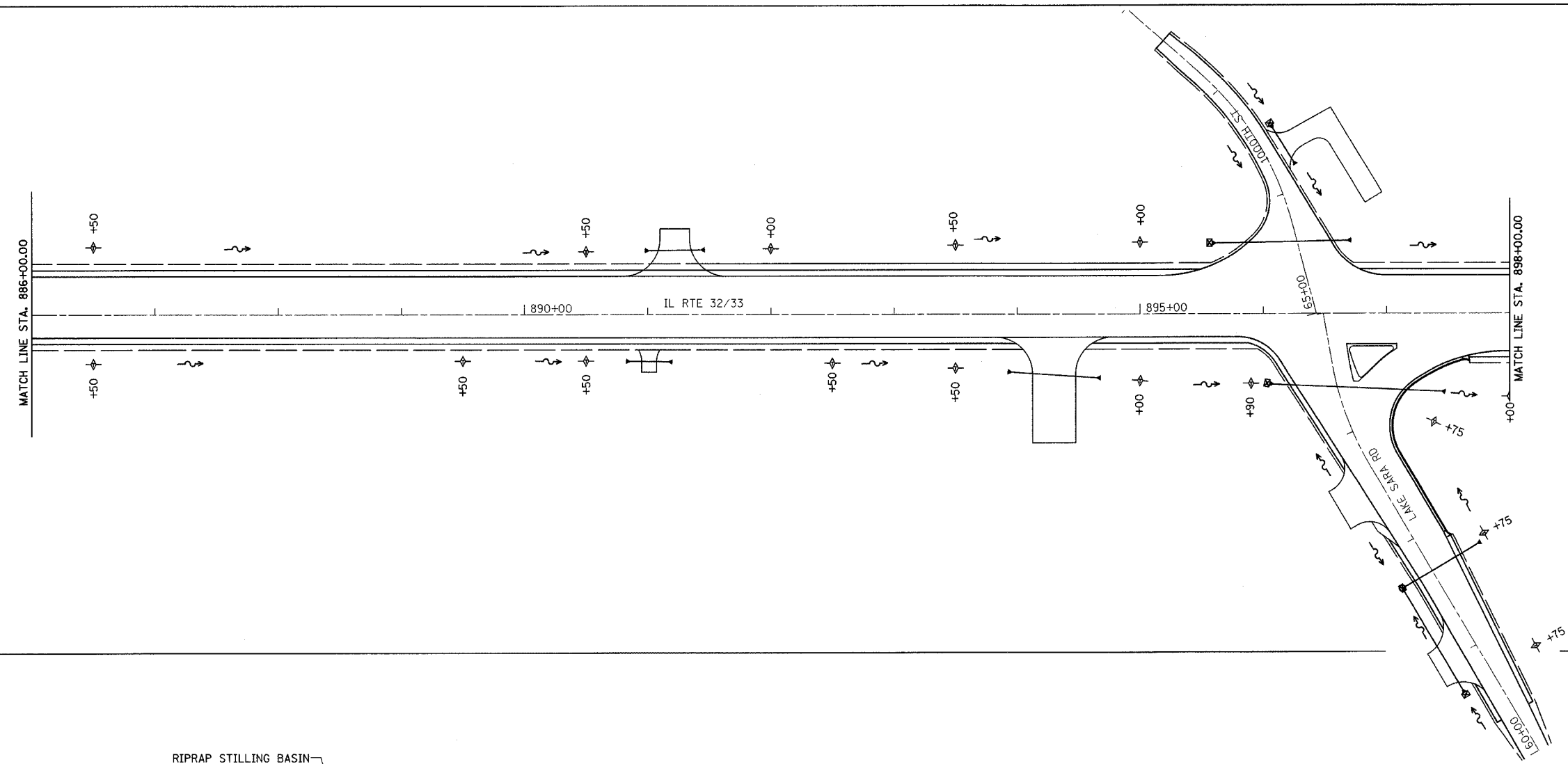
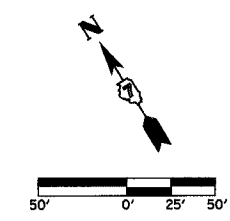


F.A.P. RTE.	SECTION	COUNTY	TOTAL SHEETS	SHEET NO.
774	107 WRS-2, L	EFFINGHAM	127	63
FED. ROAD DIST. NO.	ILLINOIS	FED. AID PROJECT		

CONTRACT NO. 74130



- LEGEND**
- INLET AND PIPE PROTECTION
 - TEMPORARY DITCH CHECKS
 - PERIMETER EROSION BARRIER
 - EROSION CONTROL BLANKET
 - STONE RIPRAP CLASS A4 OR GABIONS

REVISIONS	
NAME	DATE

ILLINOIS DEPARTMENT OF TRANSPORTATION
 EROSION CONTROL PLAN
 SHEET 3 OF 5

DATE 8/02
 DRAWN BY ASB
 CHECKED BY SJK