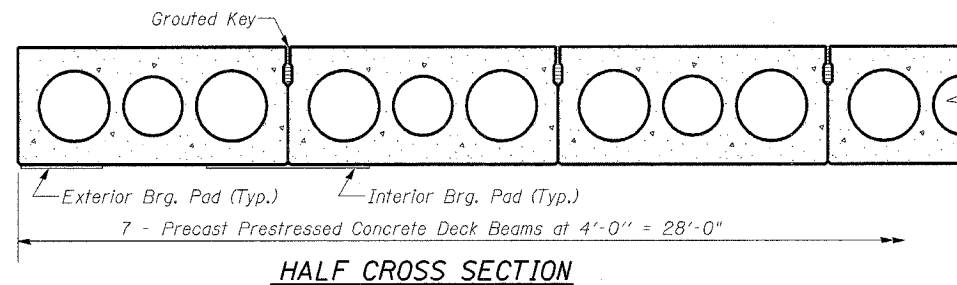
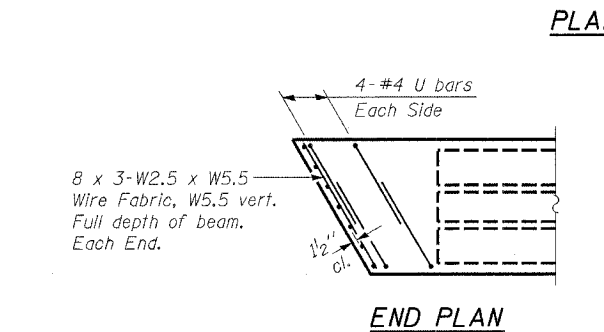
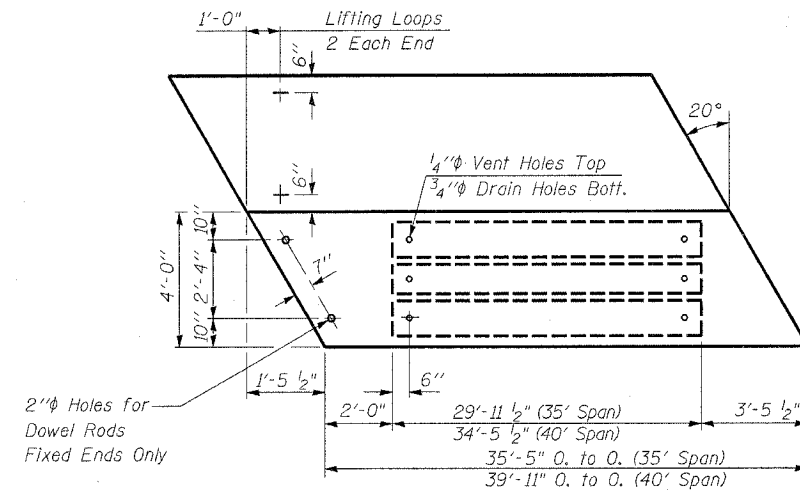
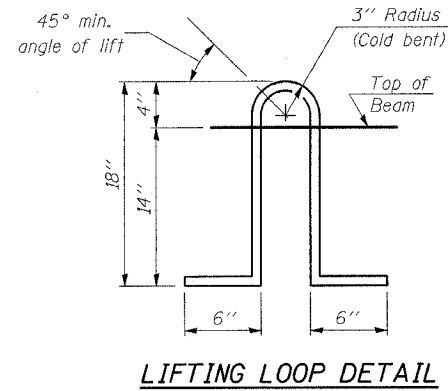
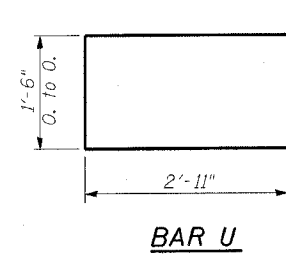


STATE OF ILLINOIS
DEPARTMENT OF TRANSPORTATION

ROUTE NO.	SECTION	COUNTY	DATE	SHEET	SHEET NO. 4 8 SHEETS
FAP 774	107B-2	EFFINGHAM	27	23	
FED. ROAD DIST. NO. 7 ILLINOIS FED. AID PROJECT-					

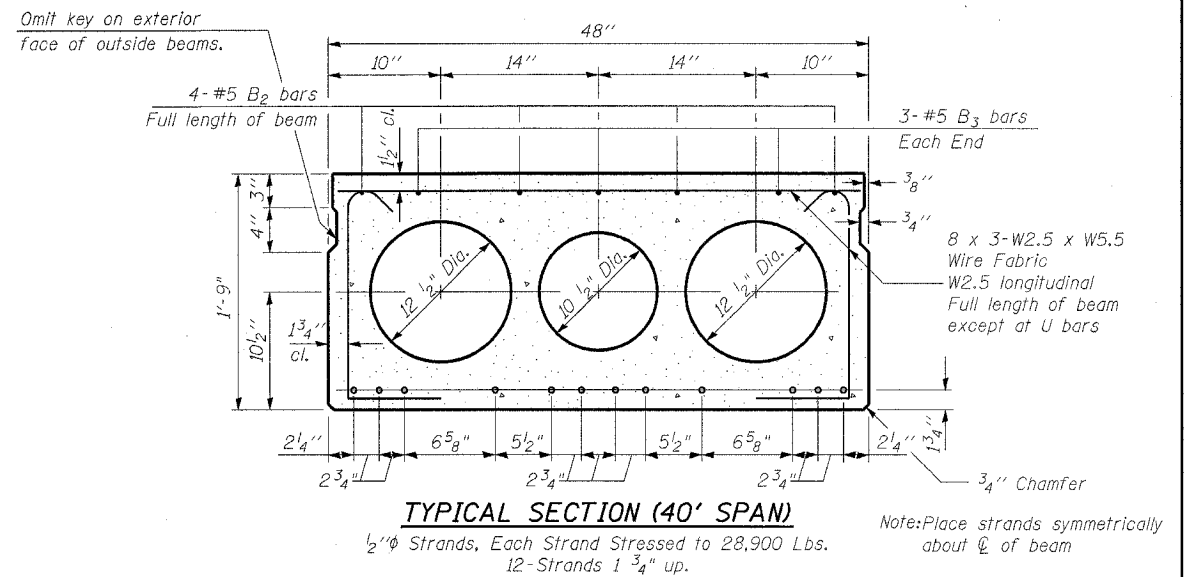
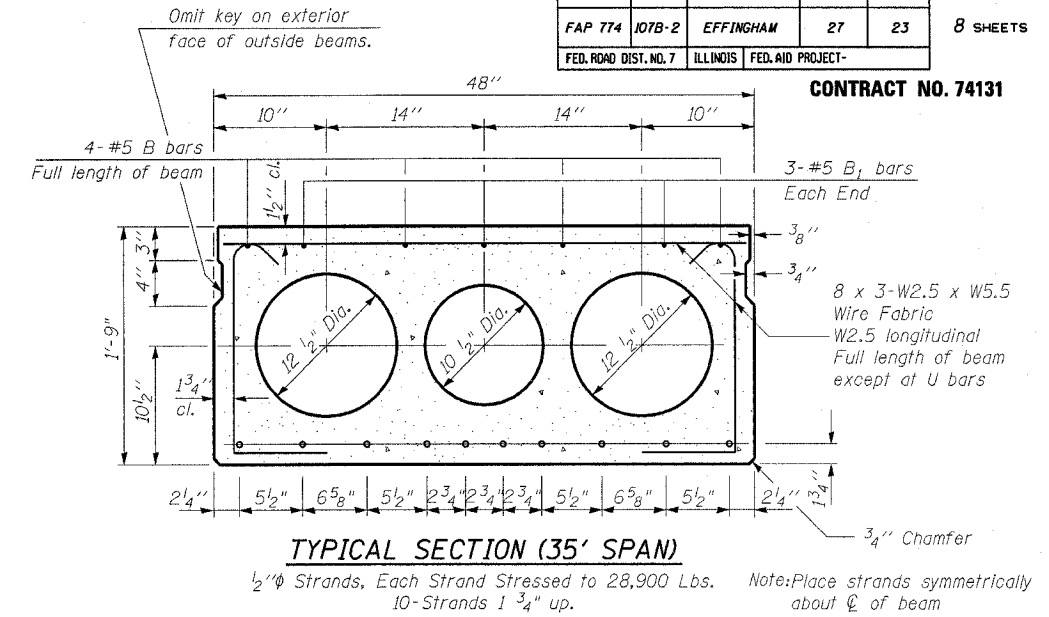
CONTRACT NO. 74131



NOTES

- Prestressing steel shall be uncoated high strength, stress-relieved 7-wire strand, Grade 270. The nominal diameter shall be $\frac{1}{2}$ " and the nominal cross-sectional area shall be 0.153 sq. in.
- Lifting loops shall be 2 - $\frac{1}{2}$ " ϕ - 270 ksi strands, as shown. Alternate approved lifting devices are also acceptable.
- Reinforcement bars shall conform to the requirements of AASHTO M 31 or M 322 Grade 60.
- Keyway surfaces shall be cleaned to remove form oil or other bond breaking material prior to shipment of the beams. Cleaning shall be done by sandblasting the keyway areas between top of the beam and the bottom edge of the key.
- A Corrosion Inhibitor, as covered in the Special Provisions, shall be used in the concrete for precast prestressed concrete deck beams.
- Required Release Strength, f'_{ci} , shall be 4,000 p.s.i.
- An equal substitution of the low-relaxation strands for the stress-relieved strands will be permitted.

DESIGNED	TMM
CHECKED	KCM
DRAWN	CAR
CHECKED	TMM



**BILL OF MATERIAL
TOTAL FOR 21 DECK BEAMS**

Bar	No.	Size	Length	Shape
B	56	5	35'-1"	—
B ₁	84	5	7'-1"	—
B ₂	28	5	39'-7"	—
B ₃	42	5	8'-0"	—
U	336	4	7'-4"	—
Precast Prestressed Conc. Deck Bms.			Sq. Ft.	3101

21"X48" P.P.C.
DECK BEAM DETAILS
1200th STREET OVER GREEN CREEK
FAP RTE. 774, SECTION 107B-2
EFFINGHAM COUNTY
STATION 204+33.91
S.N. 025-3309