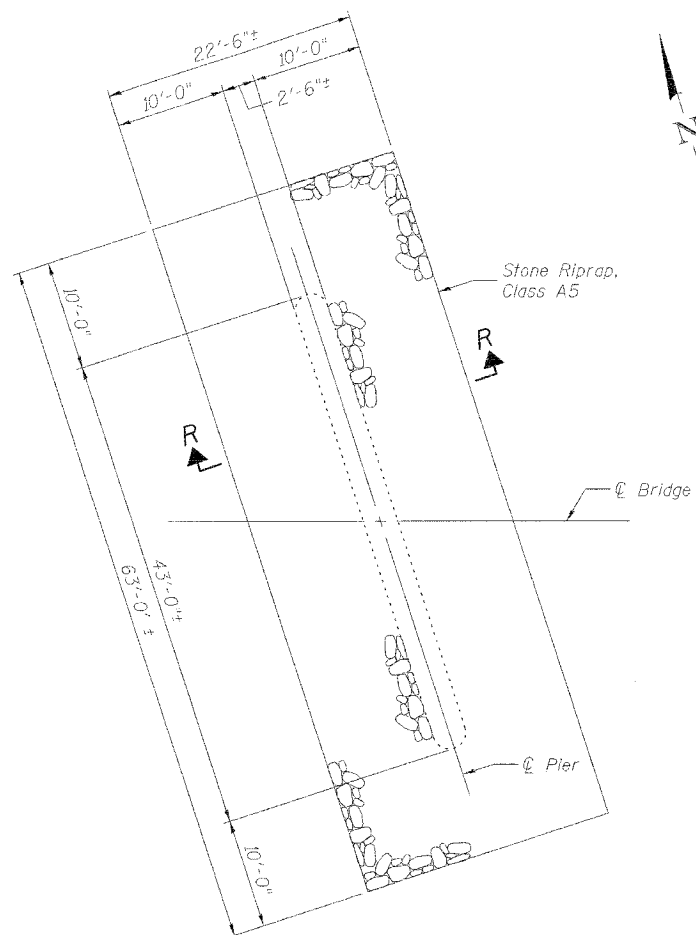


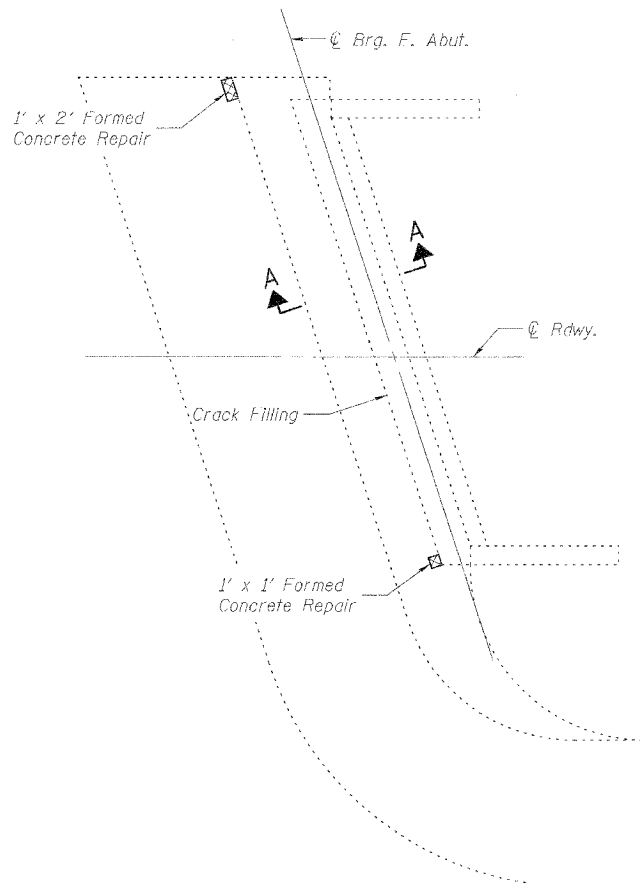
STATE OF ILLINOIS
DEPARTMENT OF TRANSPORTATION

SHEET 3
OF 3

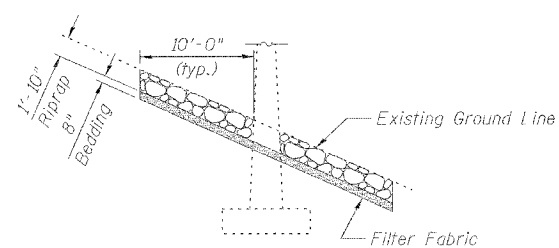
F.A.I. RTE.	SECTION	COUNTY	TOTAL SHEETS	SHEET NO.
64	82-8B	ST. CLAIR	39	28
FED. ROAD DIST. NO.	ILLINOIS	FED. AID PROJECT	CONTRACT NO. 76037	



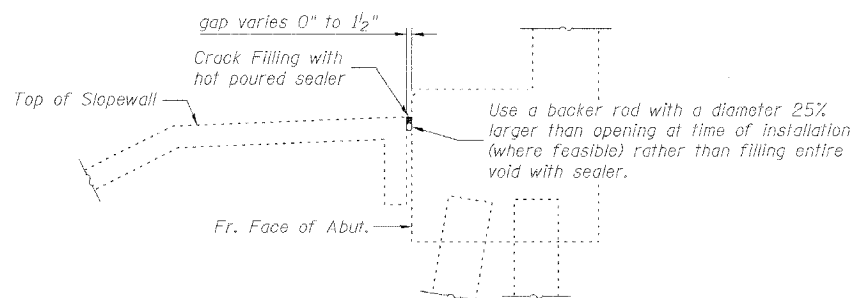
PLAN - RIPRAP AT PIERS
(Typical at Each Pier)



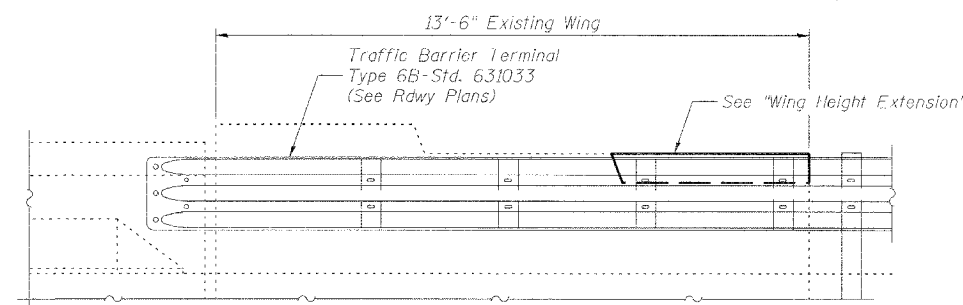
PLAN OF EAST SLOPEWALL



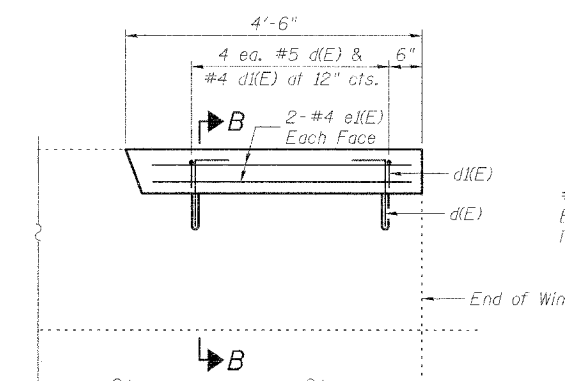
SECTION R-R
(Piers 2 & 3 shown, Piers 1 & 4 similar)



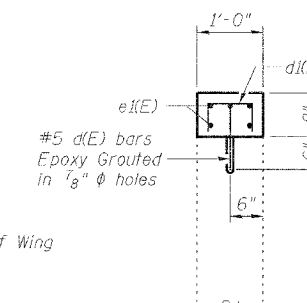
SECTION A-A



PROPOSED GUARDRAIL CONNECTION AT EAST ABUT.
(Replace existing guardrail connection)



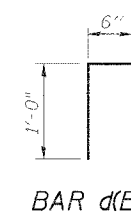
WING HEIGHT EXTENSION
(Both wings at East Abutment only)



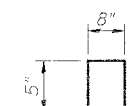
SECTION B-B

BILL OF MATERIAL

Bar	No.	Size	Length	Shape
d(E)	8	#5	1'-6"	L
d(E)	8	#4	1'-6"	Π
e(E)	8	#4	3'-11"	—
Stone Riprap, Class A5			Sq. Yd.	582
Filter Fabric			Sq. Yd.	582
Joint or Crack Filling			Pound	140
Formed Concrete Repair (Depth < 5")			Sq. Ft.	3
Concrete Structures			Cu. Yd.	0.2
Reinforcement Bars, Epoxy Coated			Pound	40



BAR d(E)



BAR d(E)

SUBSTRUCTURE DETAILS

FAI 64 (WB) OVER
SILVER CREEK
FAI ROUTE 64 SECTION 82-8B
ST. CLAIR COUNTY
STATION 145+10 (WB)
STRUCTURE NO. 082-0186



DESIGNED: CDB	DRAWN: P. Ray
CHECKED: DCD	CHECKED: CDB/DCD

FILE: F:\IND99 IL-DBV\4-64 Bridge Repairs (Set2)\2-SNO186-SilverCreek-WB\03pier.dgn

USER: P. RAY

DATE: 03/10/2006 - 14:28:55