

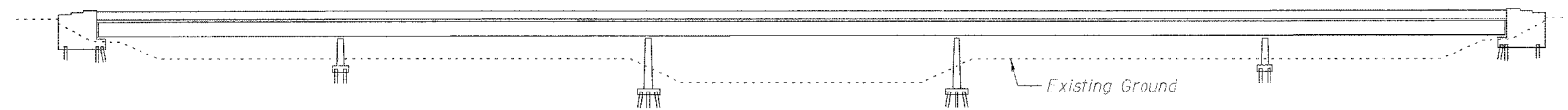
STATE OF ILLINOIS
DEPARTMENT OF TRANSPORTATION

INDEX OF SHEETS

SHEET 1
OF 3

F.A.I. DIST. NO.	SECTION	COUNTY	TOTAL SHEETS	SHEET NO.
64	82-88	ST. CLAIR	39	29
FED. ROAD DIST. NO.			ILLINOIS FED. AID PROJECT	CONTRACT NO. 76037

Sheet No.	Description
1	Gen. Plan, Gen. Notes & Total Bill of Mat'l
2	Superstructure
3	Substructure Details



ELEVATION

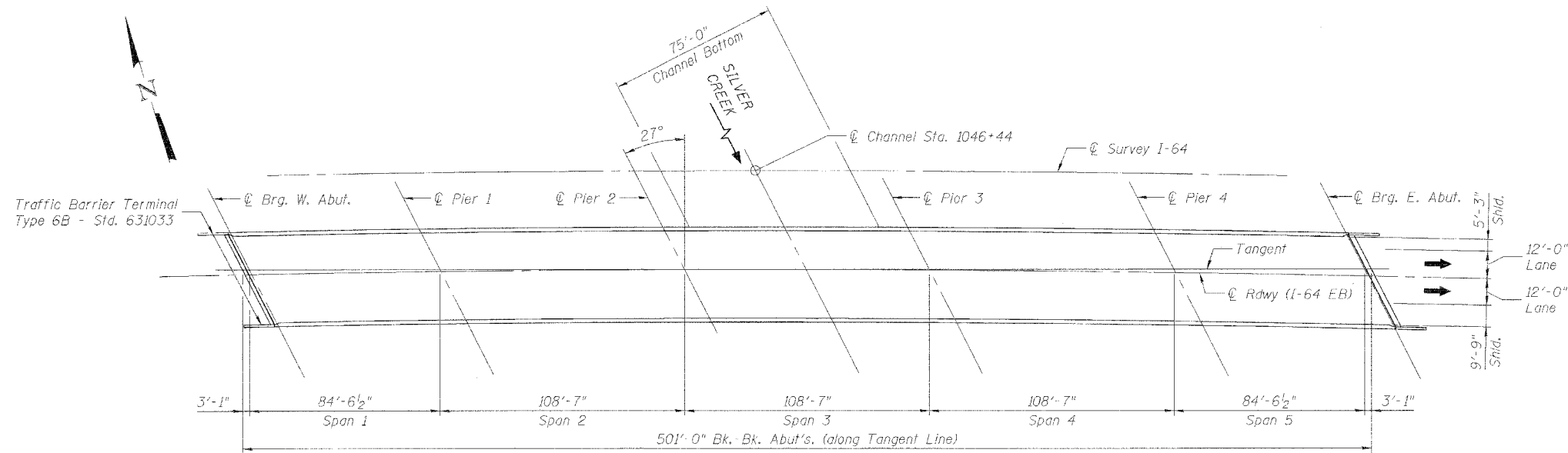
GENERAL NOTES

Plan dimensions and details relative to existing structure have been taken from existing plans and are subject to nominal construction variations. It shall be the Contractor's responsibility to verify such dimensions and details in the field and make necessary approved adjustments prior to construction or ordering of materials. Such variations shall not be cause for additional compensation for a change in the scope of the work, however, the Contractor will be paid for the quantity actually furnished at the unit price for the work.

Reinforcement bars shall conform to the requirements of AASHTO M 31 or M 322 Grade 60. Reinforcement bars designated (E) shall be epoxy coated.

All epoxy grouted bars shall have a minimum embedment as shown on the plans and shall be placed according to Section 584 of the Standard Specifications. Cost of hole drilling and epoxy grouting is included with "Reinforcement Bars, Epoxy Coated".

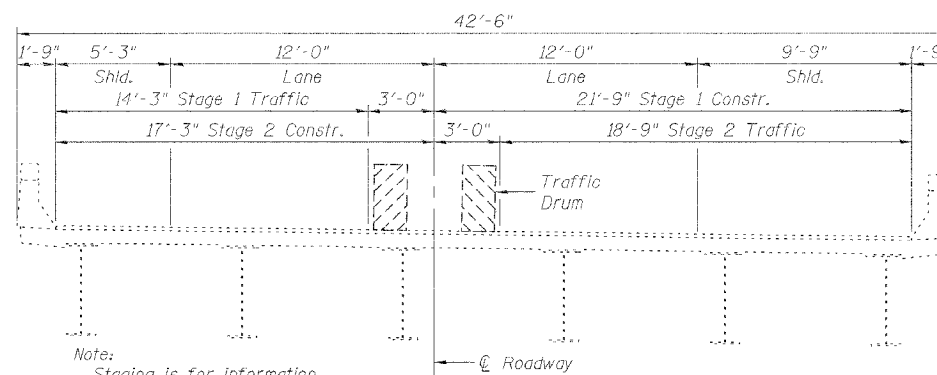
A Concrete Sealer shall be applied to the surfaces of the deck and parapets (See Special Provisions for BRIDGE DECK CONCRETE SEALER).



PLAN

TOTAL BILL OF MATERIAL

ITEM	UNIT	SUPER	SUB	TOTAL
Stone Riprap, Class A5	Sq Yd	--	600	600
Filter Fabric	Sq Yd	--	600	600
Joint or Crack Filling	Pound	--	290	290
Concrete Structures	Cu Yd	--	0.2	0.2
Formed Concrete Repair (Depth <5")	Sq Ft	1	12	13
Reinforcement Bars, Epoxy Coated	Pound	--	40	40
Polymer Concrete	Cu Ft	6	--	6
Concrete Sealer	Sq Yd	2624	--	2624
Silicone Joint Sealer, 2.5"	Foot	47	--	47
Silicone Joint Sealer, 3"	Foot	47	--	47



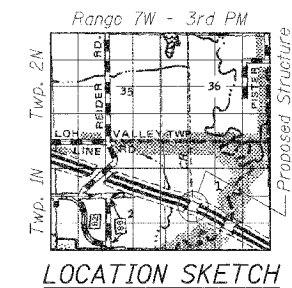
CROSS SECTION
(Looking East)

Note:
Staging is for information only, to be coordinated with roadway staging.

DESIGNED:	CDB	DRAWN:	P. Roy
CHECKED:	DCD	CHECKED:	CDB/DCD



Signed: *David Depp*
Date: *3-10-2006*
Lic. Expires: 11-30-2006



GENERAL PLAN
FAI 64 (EB) OVER
SILVER CREEK
FAI ROUTE 64 SECTION 82-88
ST. CLAIR COUNTY
STATION 1046+44
STRUCTURE NO. 082-0187