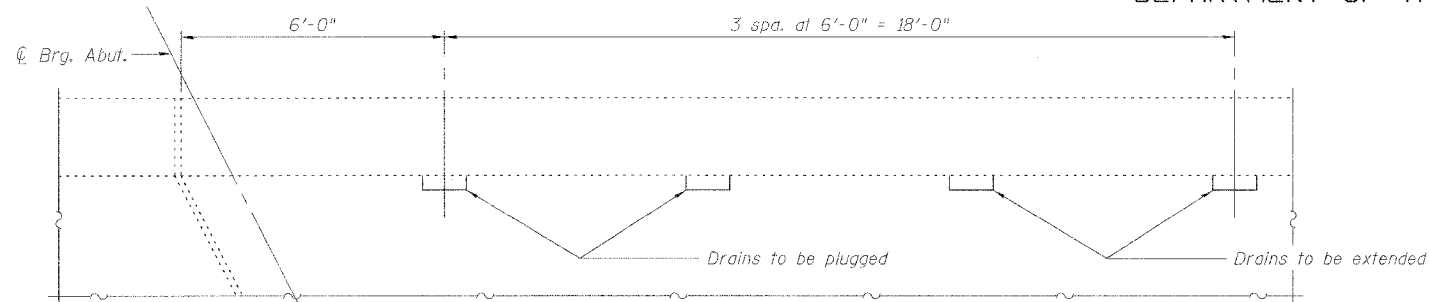


STATE OF ILLINOIS  
DEPARTMENT OF TRANSPORTATION

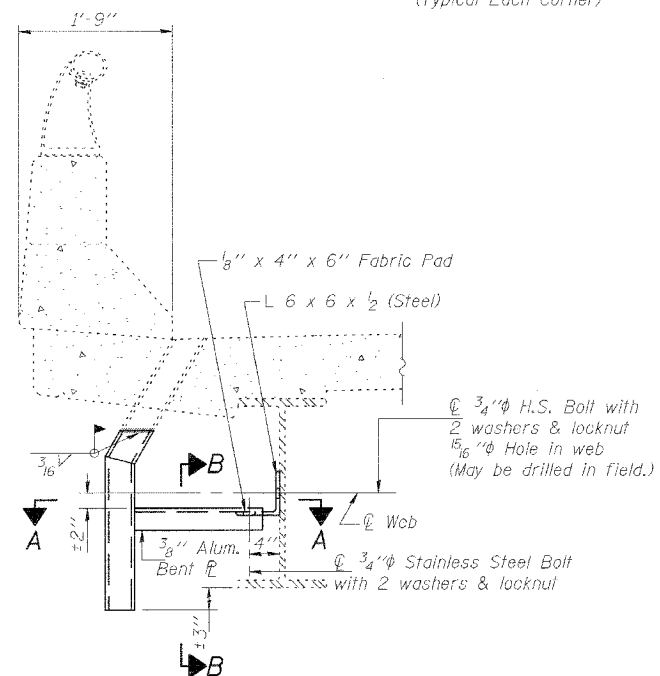
SHEET 2  
OF 2

F.A.I. RTE.	SECTION	COUNTY	TOTAL SHEETS	SHEET NO.
64	82-8HB	ST. CLAIR	39	39
FED. ROAD DIST. NO.	ILLINOIS	FED. AID PROJECT		

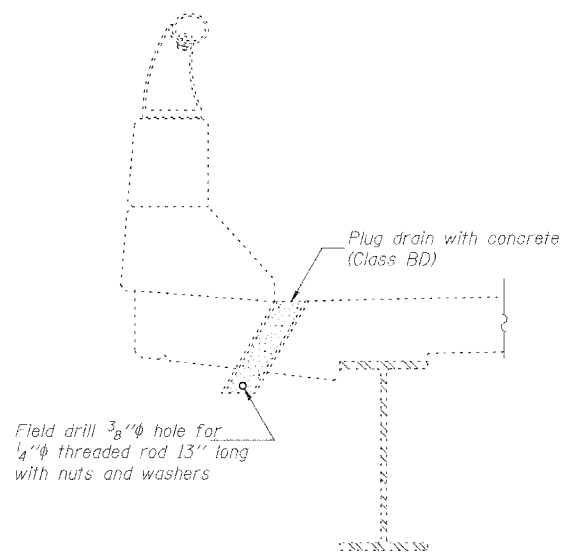
CONTRACT NO. 76037



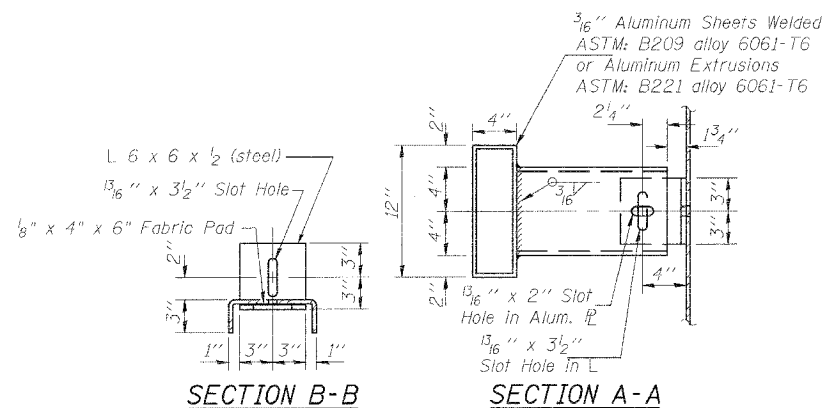
**PLAN OF EXISTING DRAINS**  
(Typical Each Corner)



**SECTION A-A AT DRAIN EXTENSION**

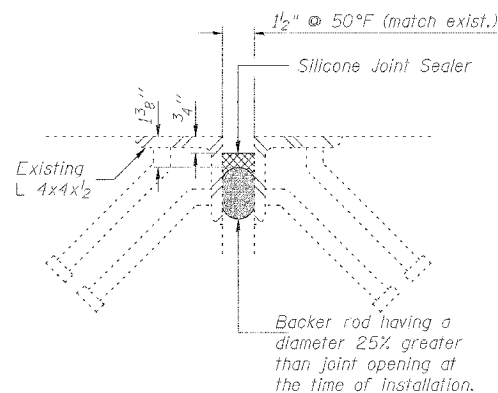


**SECTION AT DRAIN PLUG**

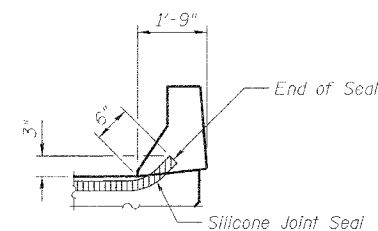


**SECTION B-B**

**SECTION A-A**



**SILICONE JOINT SEALER DETAIL**



**TYPICAL END OF SEAL TREATMENT AT EXPANSION JOINT**

**BILL OF MATERIAL**

Floor Drain Extension	Each	8
Plug Existing Deck Drains	Each	8
Concrete Sealer	Sq. Yd.	1055
Silicone Joint Sealer, 1.5"	Foot	62

**SUPERSTRUCTURE**  
REIDER ROAD (TR 222) OVER  
INTERSTATE 64  
FAI ROUTE 64 SECTION 82-8HB  
ST. CLAIR COUNTY  
STATION 1000+68.29  
STRUCTURE NO. 082-0185

**JD Johnson, Depp & Quisenberry**  
CONSULTING ENGINEERS  
Springfield, Illinois

DESIGNED: CDB	DRAWN: P. Ray
CHECKED: DCD	CHECKED: CDB/DCD

FILE: F:\10039 IL-DBV\4 1-E4 Br-1cgs-repairs (Set2)\1-SN085-ReiderRd\02superstr.dgn  
USER: P. Ray  
DATE: 03/10/2006 - 09:44:47