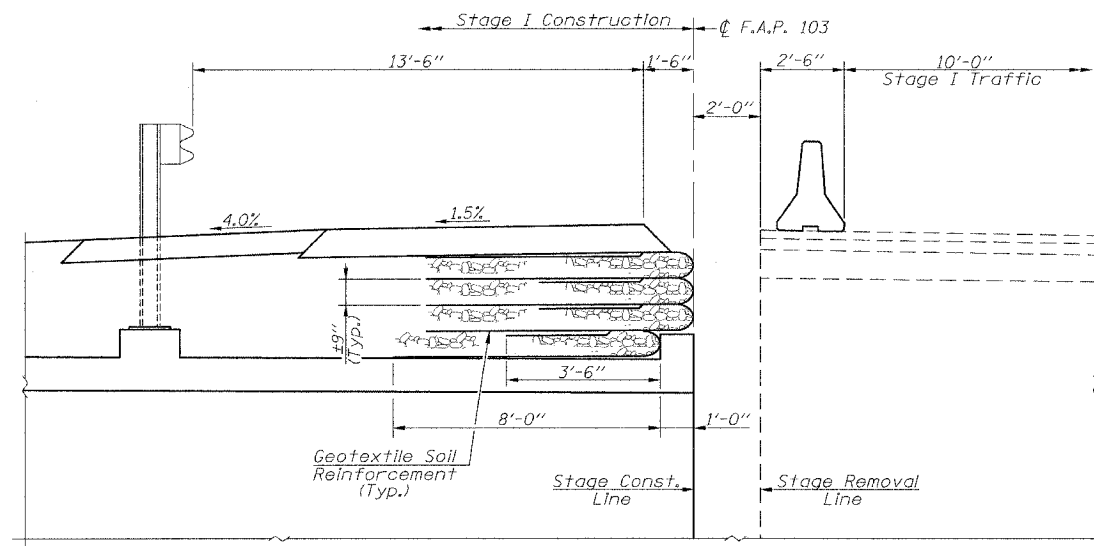


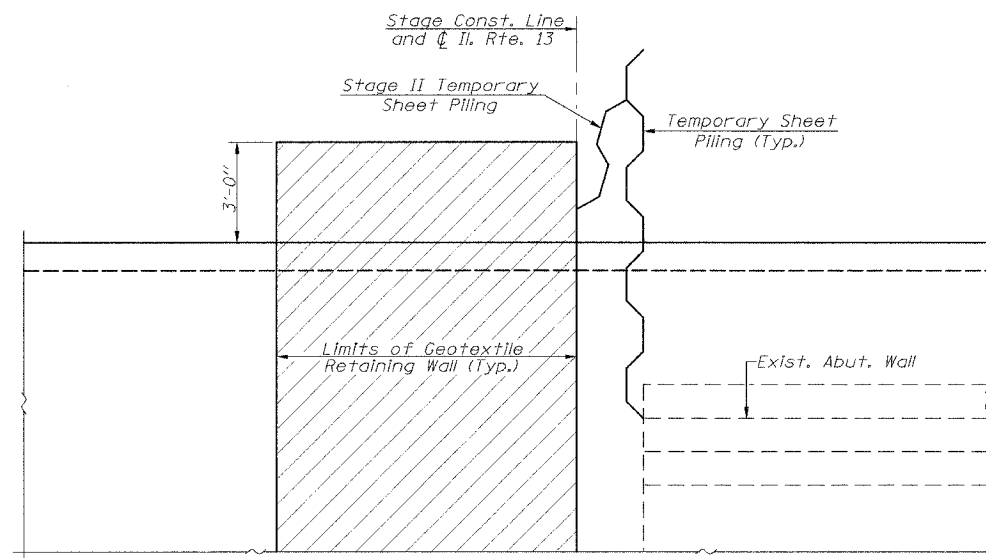
STATE OF ILLINOIS
DEPARTMENT OF TRANSPORTATION

ROUTE NO.	SECTION	COUNTY	SHEET	SHEET	SHEET NO. 3 OF 9 SHEETS
F.A.P. 103	27-33R	ST. CLAIR	22	16	
ILL. ROAD DIST. NO. 7	ILLINOIS	ILLINOIS	ILLINOIS	ILLINOIS	

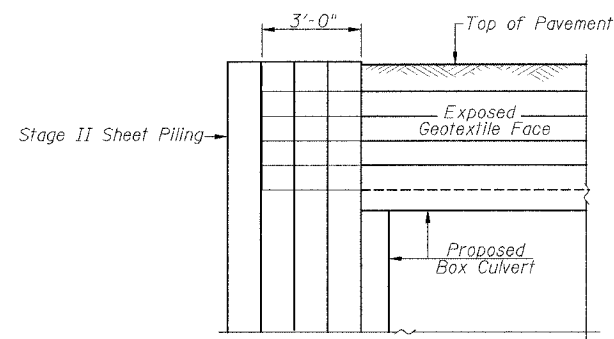
CONTRACT NO. 76411



TYPICAL SECTION



PLAN

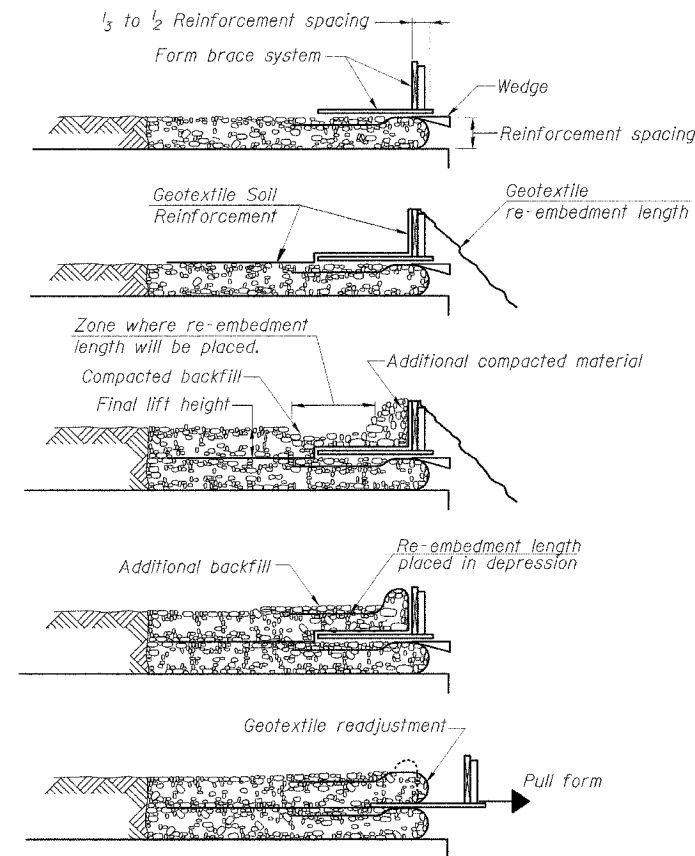


ELEVATION

BILL OF MATERIAL

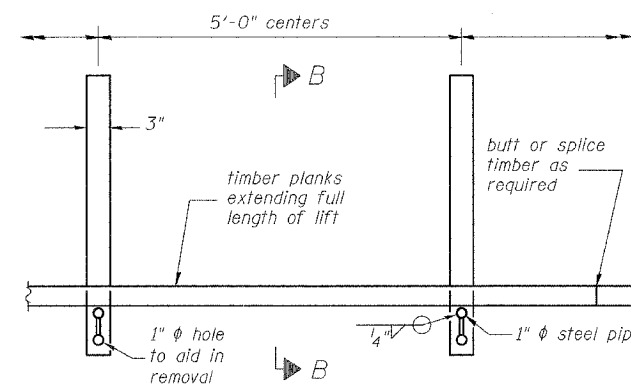
Item	Unit	Quantity
Geotextile Retaining Wall	Sq. Ft.	101

Note:
The geotextile soil reinforcement shall have a minimum allowable tensile strength (T min.) of 17 lb./in. as determined by the procedure described in the Special Provision. The computations supporting the determination of T min. shall be submitted to the engineer for approval.

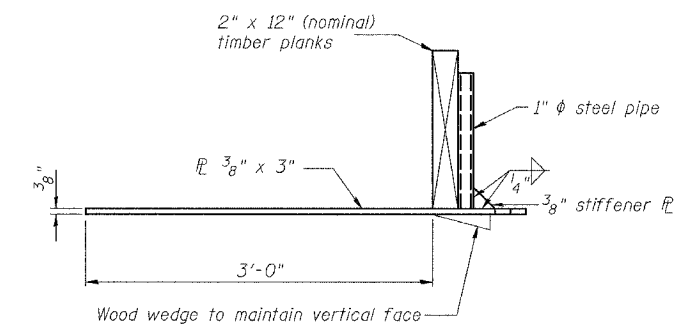


1. Place form brace system on completed reinforcement level; back from the finished fabric face a distance of $\frac{1}{3}$ to $\frac{1}{2}$ the geotextile reinforcement spacing.
2. Position fabric so that the required geotextile re-embedment length extends over the top of the form brace and the design reinforcement width is placed with no slack against the previous level.
3. Compact backfill material in lifts to final lift height, create ($\pm 3''$) depression in zone where re-embedment length will be located and place additional height of compacted material against form brace.
4. Fold Geotextile re-embedment length back over form brace into zone where depression was made in backfill and place additional compacted backfill, ($\pm 3''$) to embed geotextile and bring to final lift height.
5. Pull form brace outward allowing geotextile face to slightly readjust to form tight round face and level with plan reinforcement spacing.

GEOTEXTILE WALL
SUGGESTED CONSTRUCTION PROCEDURE



PLAN



SECTION B-B

GEOTEXTILE TEMPORARY
FORM BRACE DETAIL

Note:
The temporary form brace detail is provided as a guide. The contractor is responsible for the design and performance of the form system used.

GEOTEXTILE RETAINING WALL
F.A.P. ROUTE 103 (OLD IL. ROUTE 13)
OVER TRIBUTARY TO RICHLAND CREEK
SECTION 27-33R
ST. CLAIR COUNTY
STA. 85+70.00
S.N. 082-2042