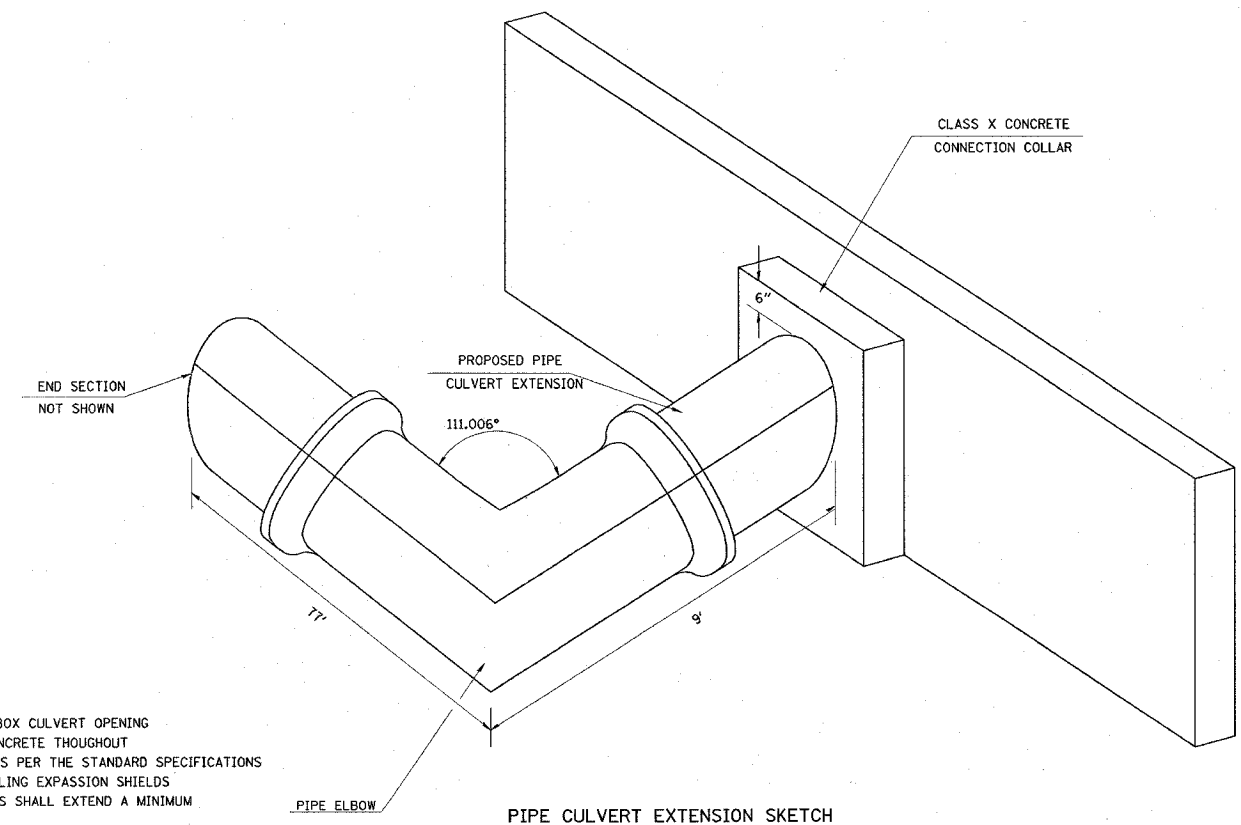
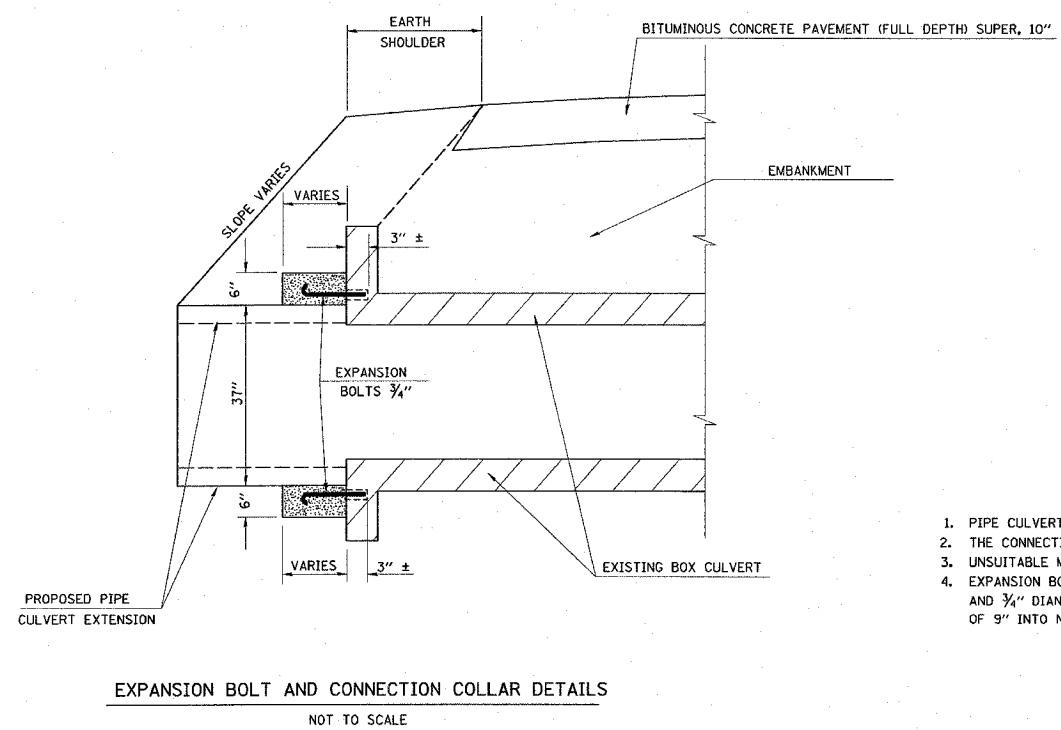
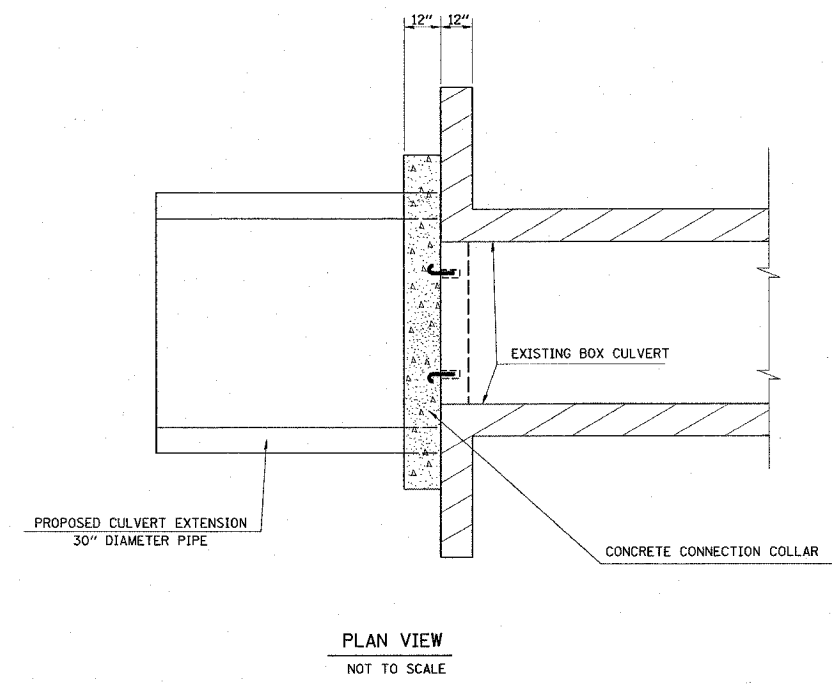
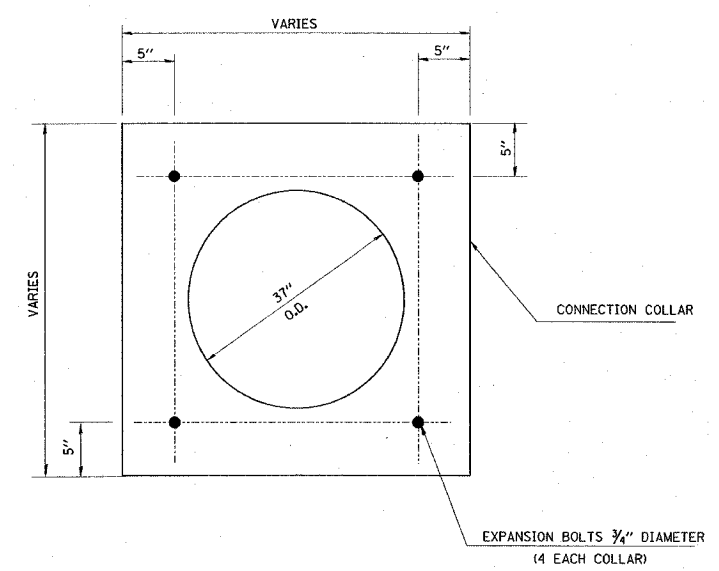


PLAN	DATE	BY
SUBMITTAL		
REVISIONS		
NO.		
DATE		
BY		
DESCRIPTION		
NOTED		
CHECKED		
DATE		



1. PIPE CULVERT EXTENSION TO BE CENTERED ON BOX CULVERT OPENING
2. THE CONNECTION COLLAR SHALL BE CLASS X CONCRETE THROUGHOUT
3. UNSUITABLE MATERIAL SHALL BE DISPOSED OF AS PER THE STANDARD SPECIFICATIONS
4. EXPANSION BOLTS SHALL CONSIST OF SELF-DRILLING EXPANSION SHIELDS AND 3/4" DIAMETER HOOKED BOLTS. HOOKED BOLTS SHALL EXTEND A MINIMUM OF 9" INTO NEW CONCRETE.

REVISIONS	
NAME	DATE

ILLINOIS DEPARTMENT OF TRANSPORTATION
**DETAILS OF BOX CULVERT
 EXTENSIONS (WITH PIPE CULVERTS)**
 STA. 20+76.34 (RUNAROUND)
 FAP ROUTE 314
 SECTION 110-1VBR-1
 MADISON COUNTY

DRAWN BY:
 PLOT DATE: 3/28/2006

DATE: 3/28/2006
 3/28/2006
 REF: 3/28/2006
 REF: 3/28/2006