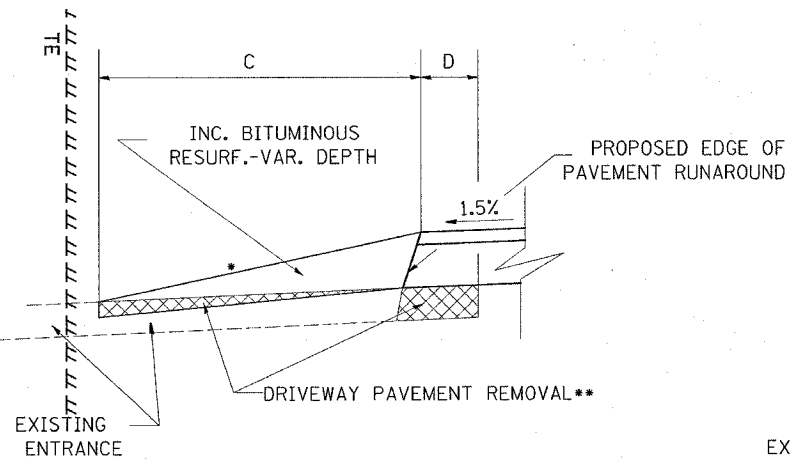
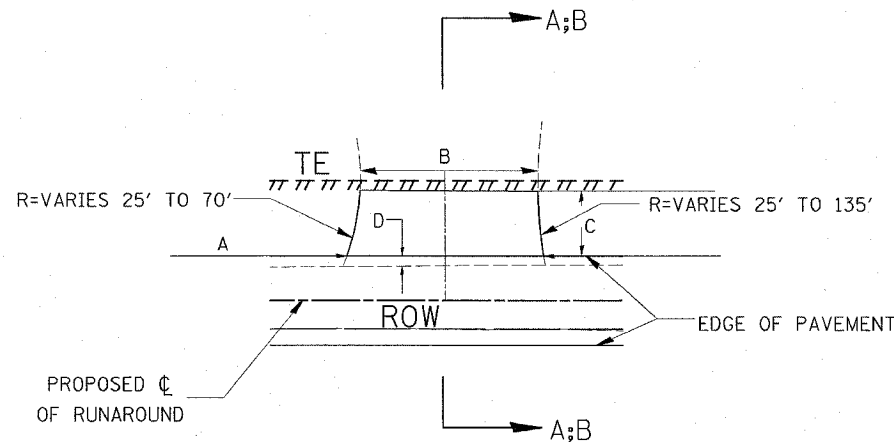
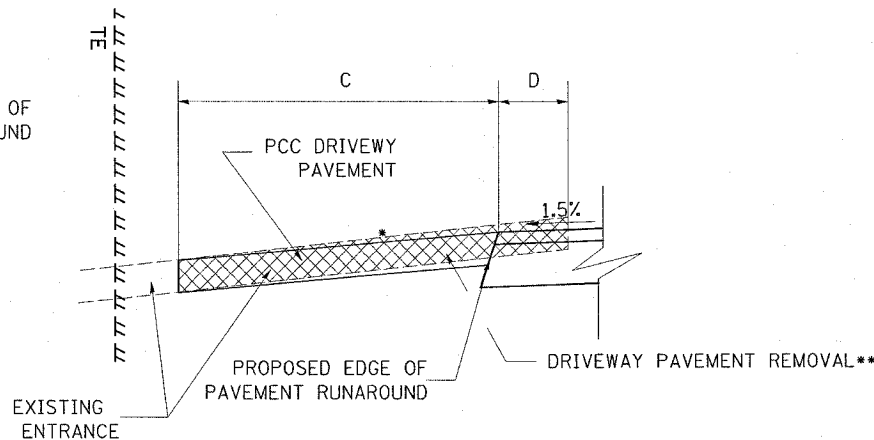


FAP ROUTE	SECTION	COUNTY	TOTAL SHEETS	SHEET NO.
314	110-1VBR-1	MADISON	77	33C
STA.		TO STA.		
CONTRACT NO.: 76549				

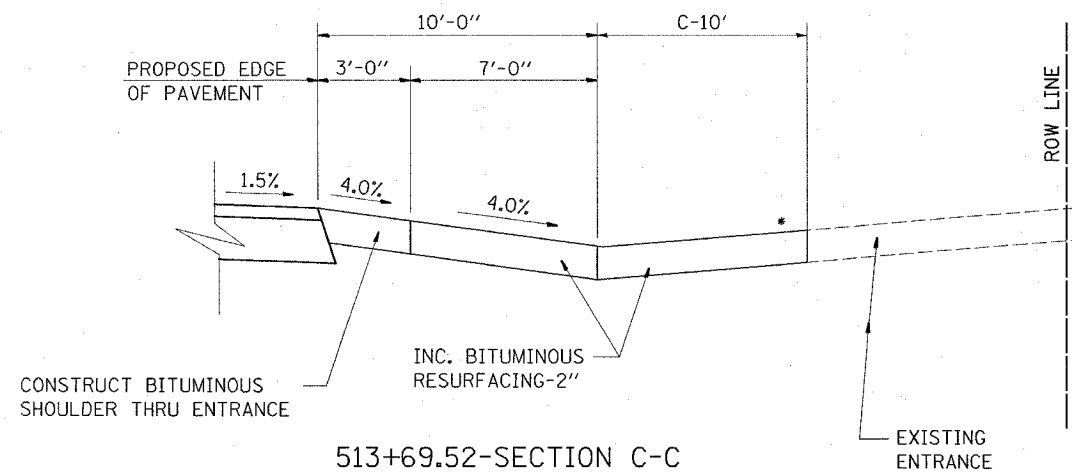
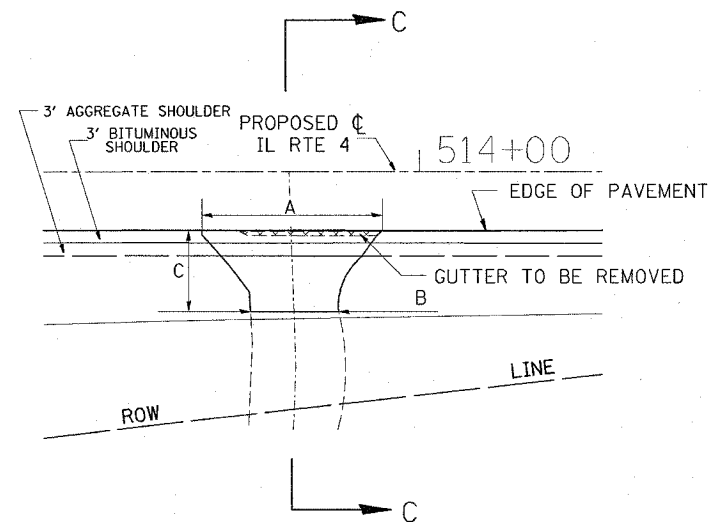


STA. 8+76.55-SECTION A-A



STA. 7+16.65-SECTION B-B

- * SEE CROSS SECTIONS FOR SLOPE
- ** INCLUDED IN THE COST OF INCIDENTAL BITUMINOUS RESURFACING OR PCC DRIVEWAY PAVEMENT
- SEE PLANS FOR EXISTING SURFACE TYPE



513+69.52-SECTION C-C

- * SEE CROSS SECTIONS FOR SLOPE
- SEE PLANS FOR EXISTING SURFACE TYPE

STATIONING	EXISTING MATERIAL	ENTRANCE TYPE	INCIDENTAL BITUMINOUS CONC. SURFACING, (TONS)	PORTLAND CEMENT CONCRETE DRIVEWAY PAVM'T-6" (SQ YDS)	EST. DRIVEWAY PAVEMENT REMOVAL-(SQ YDS)	A	B	C	D
513+69.52	BITUMINOUS	CE	5.5			42.0'	20.5'	19.0'	
7+16.65	CONCRETE	CE		117	135	57.7'	52.2'	19.1'	2.8'
8+76.55	BITUMINOUS	CE	14.5		63	36.8'	11.9'	15.9'	4.7'
TOTAL			20.0	117	198				

REVISIONS	
NAME	DATE

ILLINOIS DEPARTMENT OF TRANSPORTATION

ENTRANCE DETAILS

FAP ROUTE 314 (IL 4)
SECTION 110-1VBR-1
MADISON COUNTY

DRAWN BY:

PLOT DATE: *DATE-TIME*

DATE	
BY	
DESIGNED	
CHECKED	
ALIGNED	
NOTED	
DATE	
BY	
NO.	

SCALE:
DATE-TIME
DATE-TIME
DATE-TIME
DATE-TIME