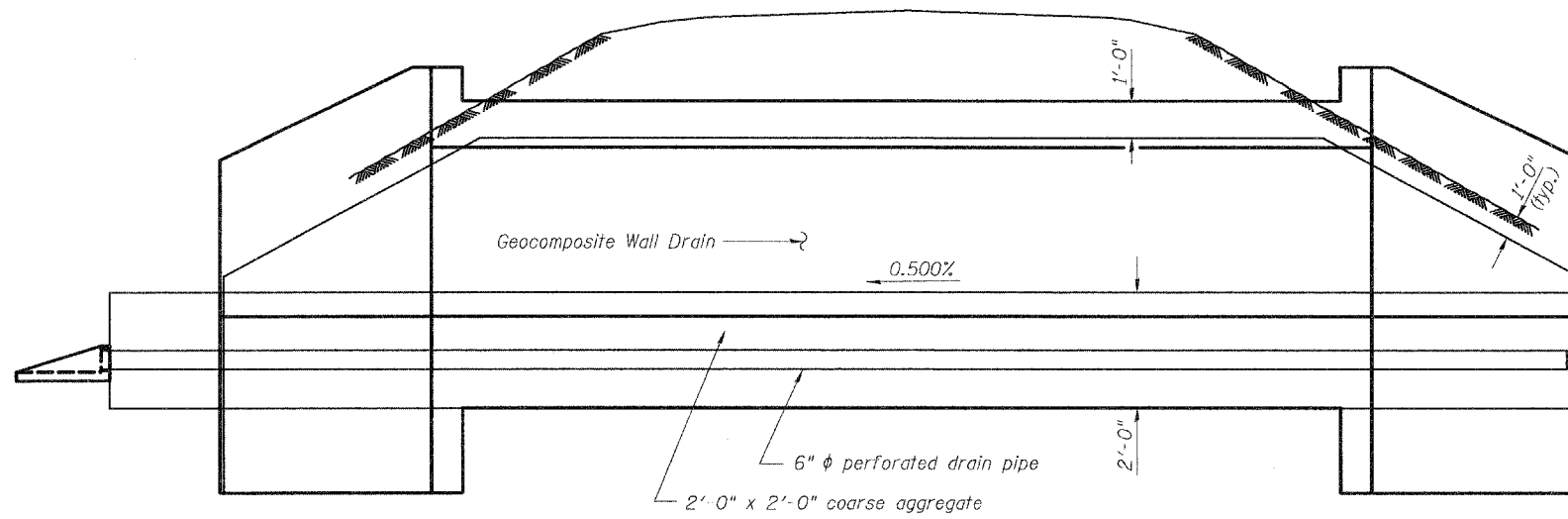


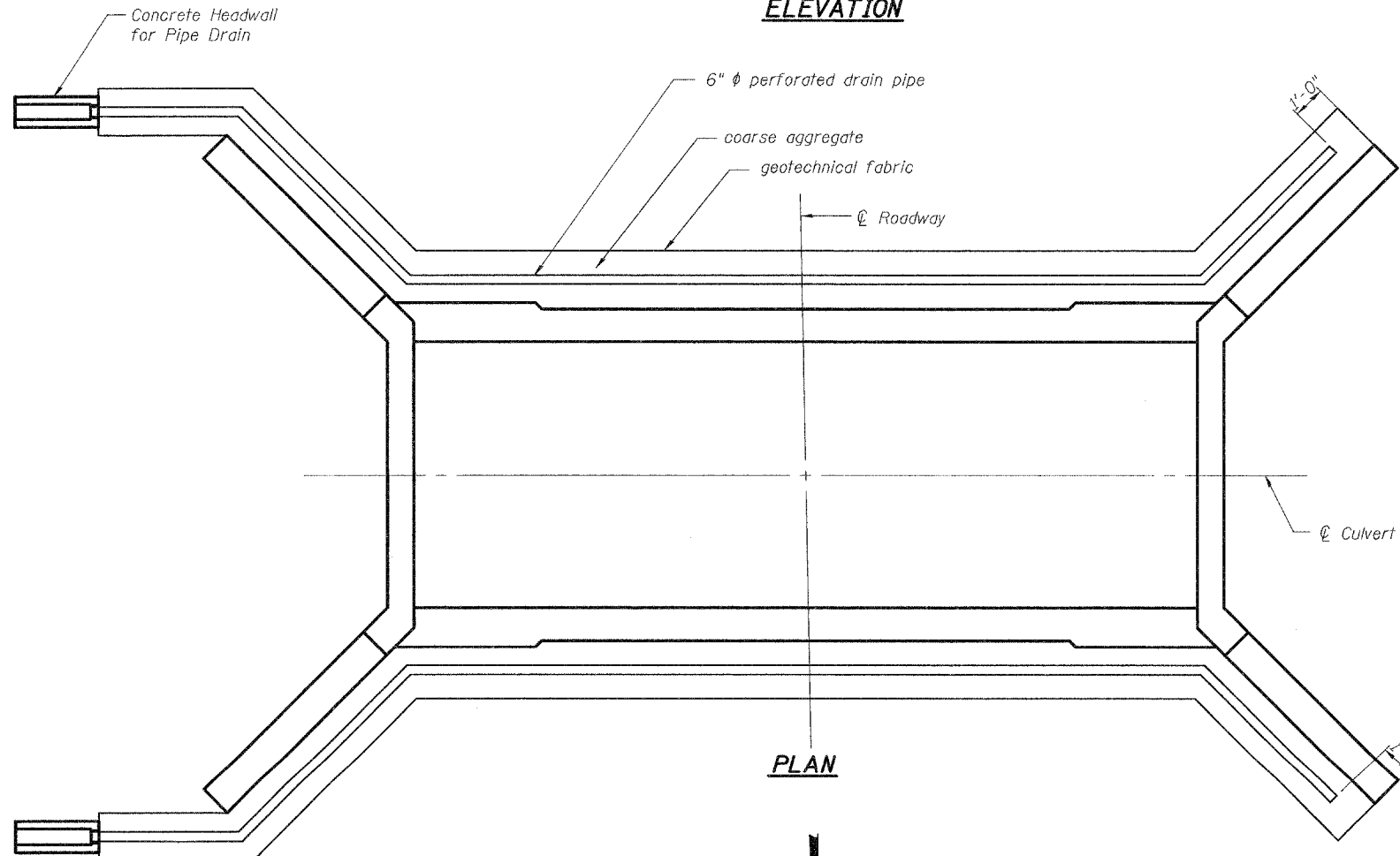
STATE OF ILLINOIS  
DEPARTMENT OF TRANSPORTATION

ROUTE NO.	DISTRICT	COUNTY	SECTION	SHEET	SHEET NO. 3 4 SHEETS
F.A.P. 314	110-IVBR-1	MADISON	77	36	
FED. ROAD DIST. NO. 7	ILLINOIS	FED. AID PROJECT-			

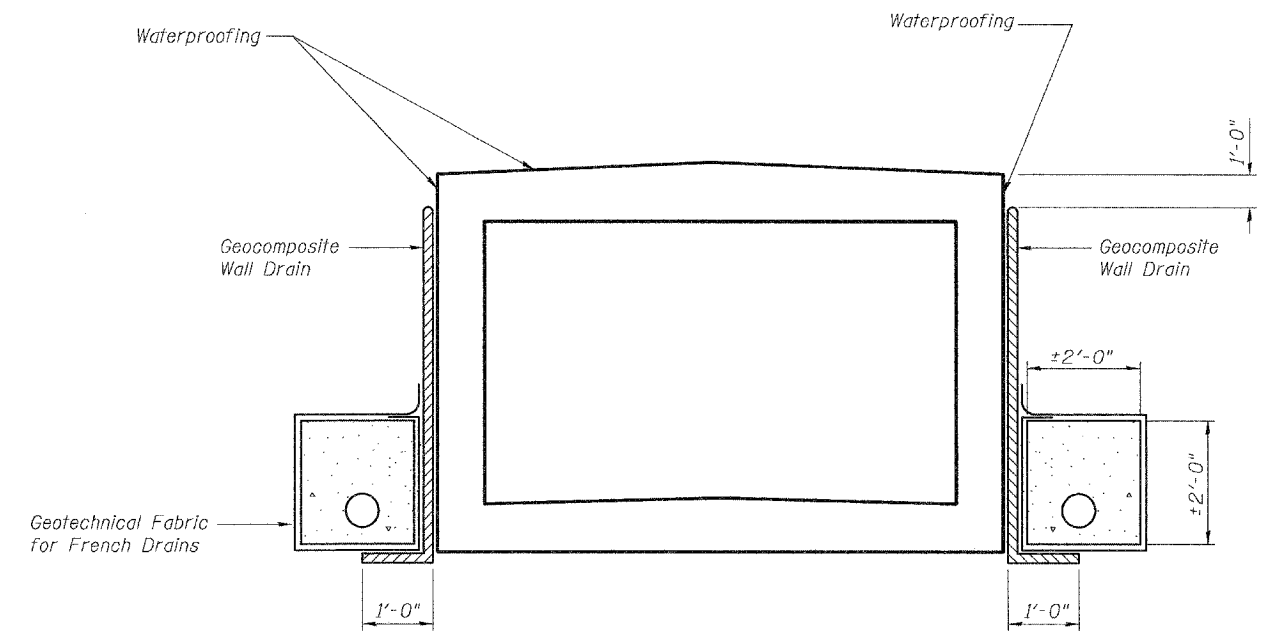
Contract #76549



**ELEVATION**



**PLAN**



**CROSS SECTION**

**GENERAL NOTES**

A Geocomposite Wall Drain shall be installed on the fill faces of the pedestrian tunnel walls and wings and draped under the approximate 2'-0" x 2'-0" block of wrapped coarse aggregate.

A 6" diameter perforated drain shall be situated within an approximate 2'-0" x 2'-0" block of CA-5 or CA-7 coarse aggregate. The 2'-0" x 2'-0" block of coarse aggregate shall be wrapped completely in Geotechnical Fabric for French Drains. Extend perforated drain and wrapped coarse aggregate past wings parallel to  $\text{C}$  tunnel to intersection with fill slope at the low end of tunnel. Pipes shall drain onto concrete headwalls (Article 601.05 of the Std. Specifications and Highway Std. 601101.)

Cost of perforated drain pipes, concrete headwalls, coarse aggregate, and geotechnical fabric shall be included with the pay item Geocomposite Wall Drain.

The outside surface of the walls, top slab, and back of wingwalls below grade shall be waterproofed according to Article 503.18 of the Standard Specifications. Cost of waterproofing shall be included in the cost of "Concrete Box Culverts"

DESIGNED	ADL
CHECKED	WLW
DRAWN	RJP
CHECKED	ADL

**DRAINAGE DETAILS**  
**IL. ROUTE 4 OVER**  
**ABANDONED RAILROAD**  
**F.A.P. ROUTE 314 - SEC. 110-IVBR-1**  
**MADISON COUNTY**  
**STATION 504+11.50**  
**S.N. 060-2406**

5/8/2006

p:\0211es\020409\020409.23 W0 #12 Ped Culvert\SN060-2406.dgn