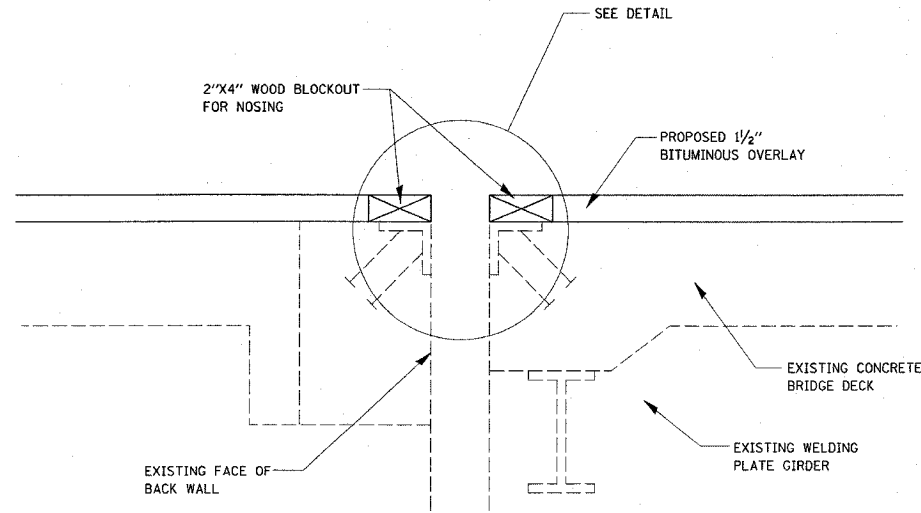
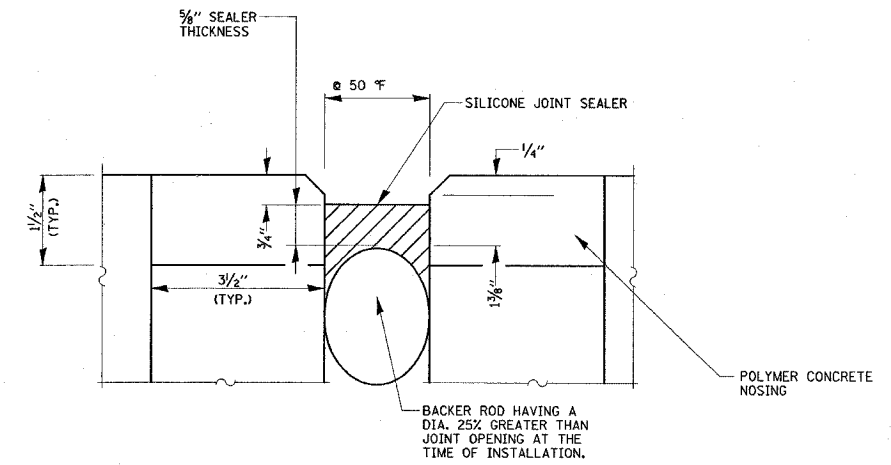


F.A. RTE.	SECTION	COUNTY	TOTAL SHEETS	SHEET NO.
•	••	ST. CLAIR	15	12
STA.		TO STA.		
FED. ROAD DIST. NO.		ILLINOIS FED. AID PROJECT		
• FAP 582/FAU 9237				
•• 82-3HB-II, 82-3VB-II				

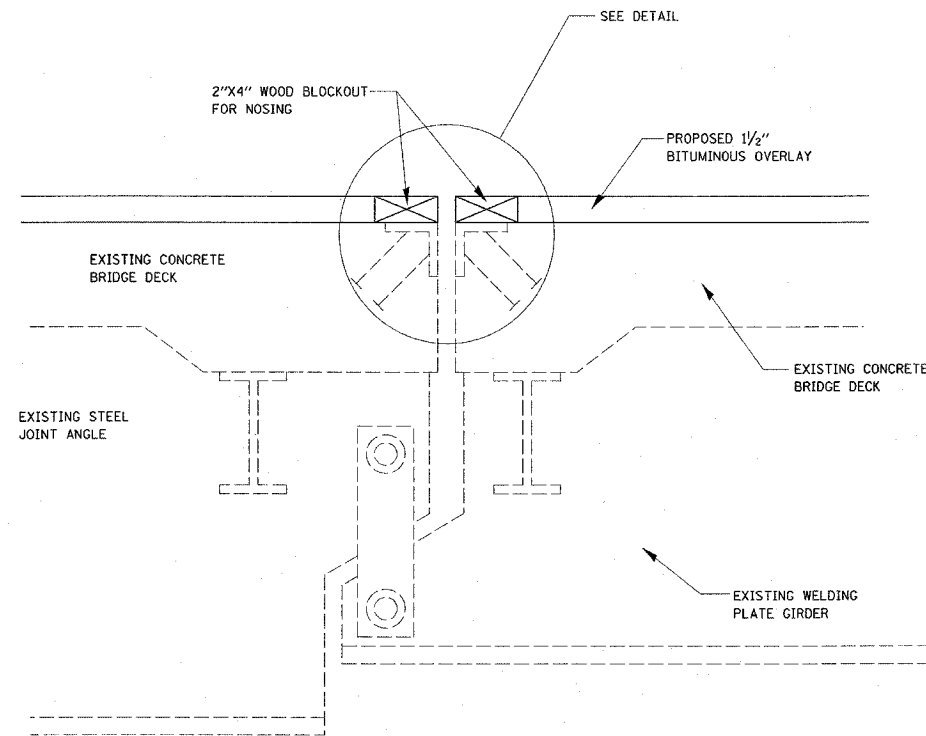


SECTION THRU ABUTMENTS S.N. 082-0207
AND S.N. 082-0166 (S. ABUT. ONLY)

NOTE:
THE SAWCUTTING AT THE LIMITS OF THE POLYMER CONCRETE EXPANSION BLOCKS SHALL BE CONSIDERED AS INCIDENTAL TO THE POLYMER CONCRETE, AND WILL NOT BE PAID FOR SEPARATELY.



SILICONE JOINT SEALER DETAIL



SECTION THRU PIN AND
LINK S.N. 082-0166

NOTE:
THE EXISTING EXPANSION JOINTS AND ANCHOR BLOCKS ARE TO BE REMOVED, WITH THE COST OF REMOVAL TO BE CONSIDERED INCLUDED IN THE COST OF BITUMINOUS CONCRETE REMOVAL (DECK).

Plan dimensions and details relative to existing structure have been taken from existing plans and are subject to nominal construction variations. It shall be the Contractor's responsibility to verify such dimensions and details in the field and make necessary approved adjustments prior to construction or ordering of materials. Such variations shall not be cause for additional compensation for a change in the scope of the work, however, the Contractor will be paid for the quantity actually furnished at the unit price bid for the work.

DATE =
NAME =
FILE NAME =
PLOT SCALE =
REFERENCE =

REVISIONS	
NAME	DATE

ILLINOIS DEPARTMENT OF TRANSPORTATION
MISC. DETAIL

FAP 582/FAU 9237 (IL ROUTE 111)
SECTION 82-3HB-II, 82-3VB-II
ST. CLAIR COUNTY

SCALE: VERT.
HORIZ.
DATE

DRAWN BY
CHECKED BY