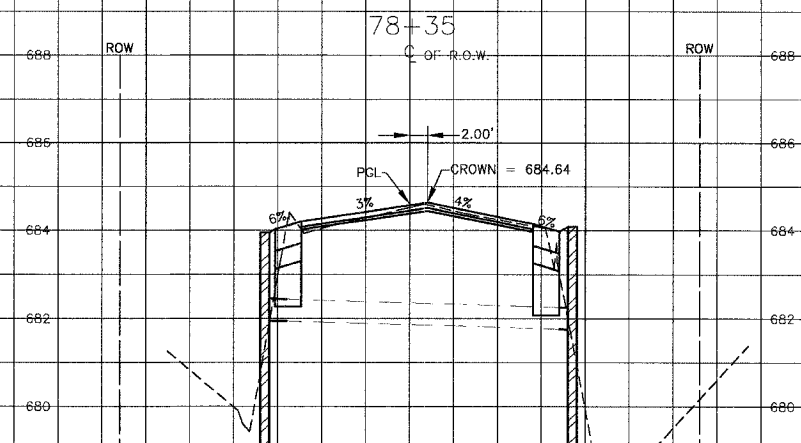
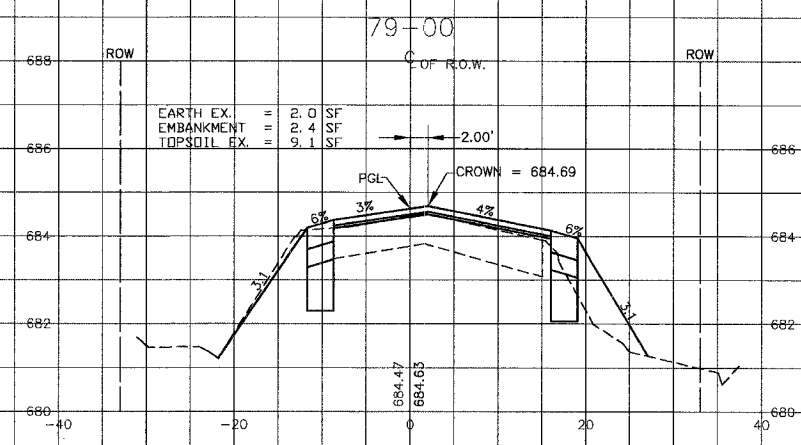
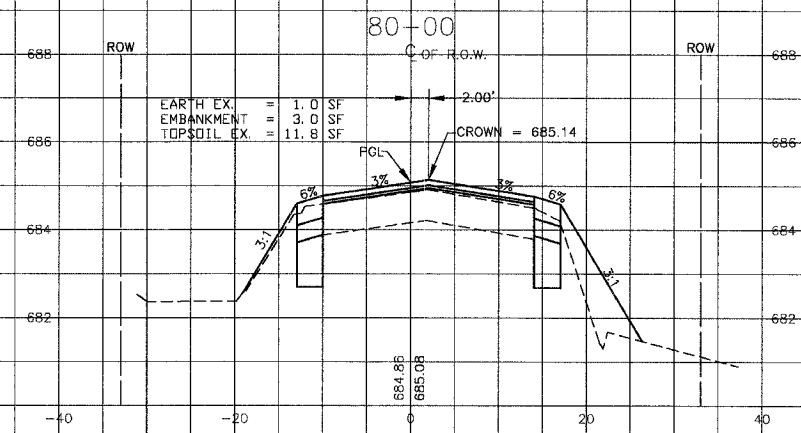
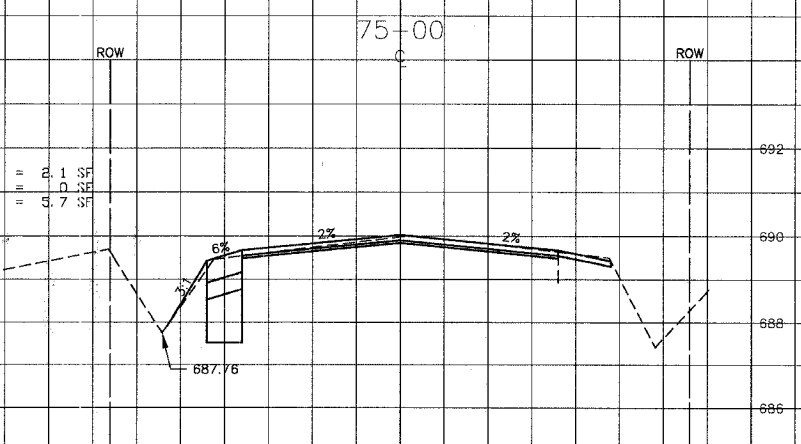
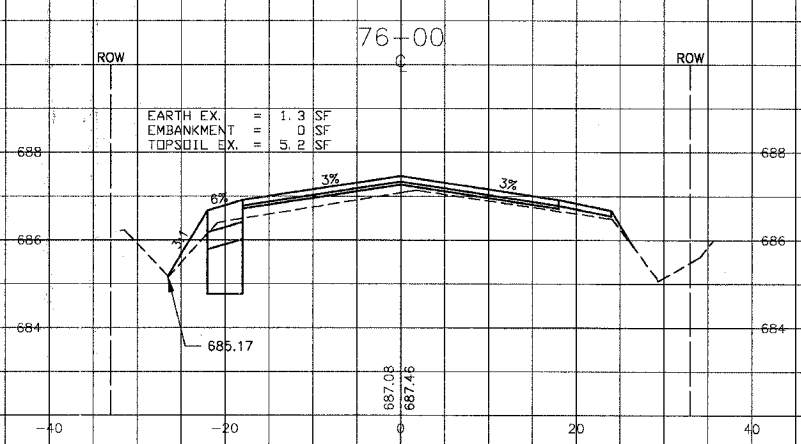
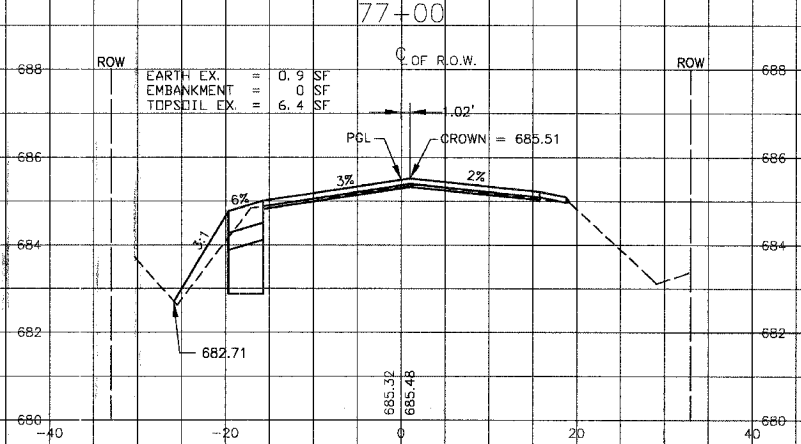
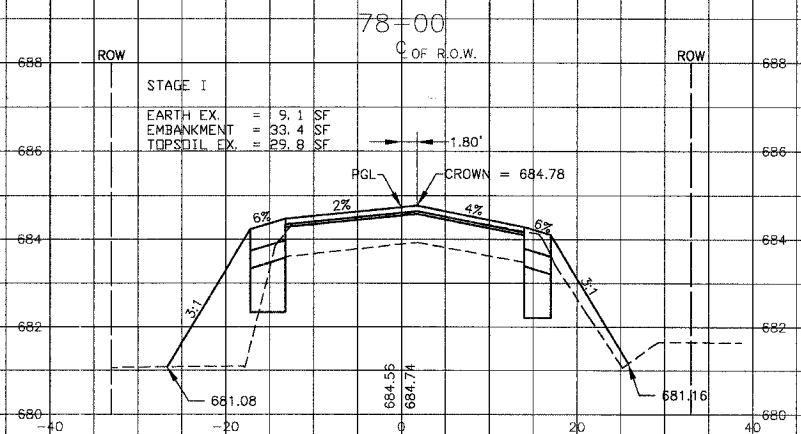


F.A.U. ROUTE NO.	SECTION	COUNTY	TOTAL SHEETS	SHEET NO.
2774	99-00073-00-WR	COOK	116	110
STA.	TO STA.		ILLINOIS	
FED. ROAD DIST. NO. 1			FED AID PROJECT CMM-7003 (750)	
CONTRACT NO. 83727				



P:\04\27\020\146\Drawn\CALP-NS.dwg  
 Plotted: 4-30-06 11:48am by 233 jls  
 Copyright © 2004, By Barber & Woodman, Inc.  
 State of Illinois - Professional Design Firm  
 License No. - 124-00112 - Expires 4-30-05

CONSULTANTS	REV. NO.	DATE	DESCRIPTION
	1	4-28-06	PER IDOT AND COOK COUNTY COMMENTS

\* - REFER TO EQUIPMENT MANUFACTURER'S SHOP DRAWINGS

**Baxter & Woodman**  
 Consulting Engineers  
 Crystal Lake, Illinois 815.478.1260  
 Burlington, Wisconsin 262.763.7831  
 Mokena, Illinois 708.478.2090  
 DeKalb, Illinois 815.787.3111  
 Graylake, Illinois 847.223.5089  
 Rockford, Illinois 815.488.1551  
 Plainfield, Illinois 815.869.7425

**CITY OF OAK FOREST, ILLINOIS**  
**OAK PARK AVENUE PROJECT**

**CROSS SECTIONS**  
**OAK PARK AVENUE**  
**STA. 75+00 TO STA. 80+00**

DESIGNED BY <b>PAW</b>	SCALE VERT: 1"=2' HORIZ: 1"=10'
DRAWN BY <b>UKB</b>	PROJECT NO. <b>020146</b>
CHECKED BY <b>NJP</b>	SHEET NO. <b>110 OF 116</b>
DATE 1-20-05	