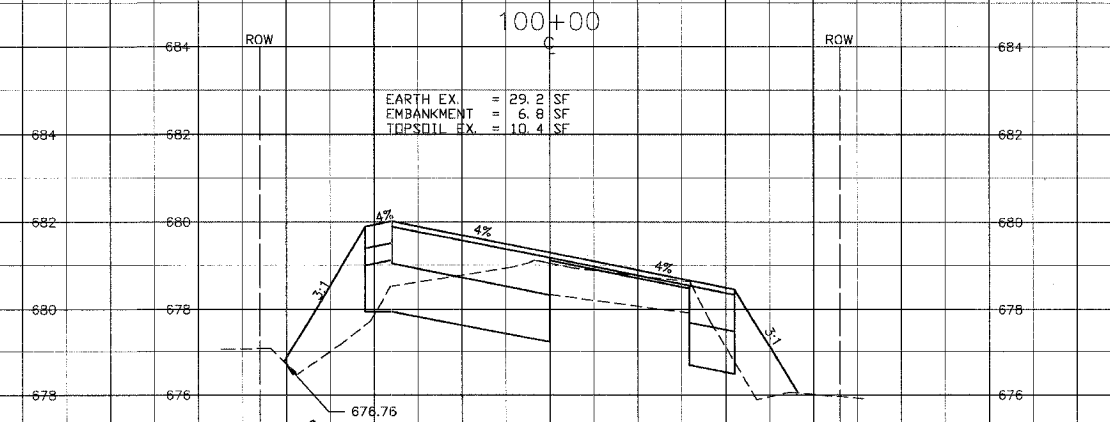
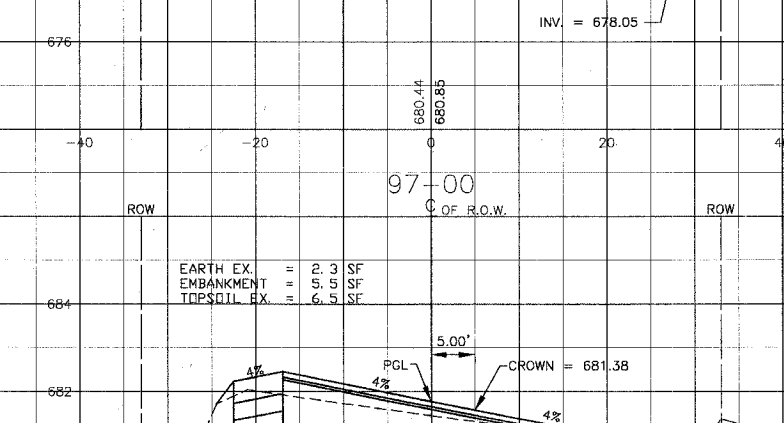
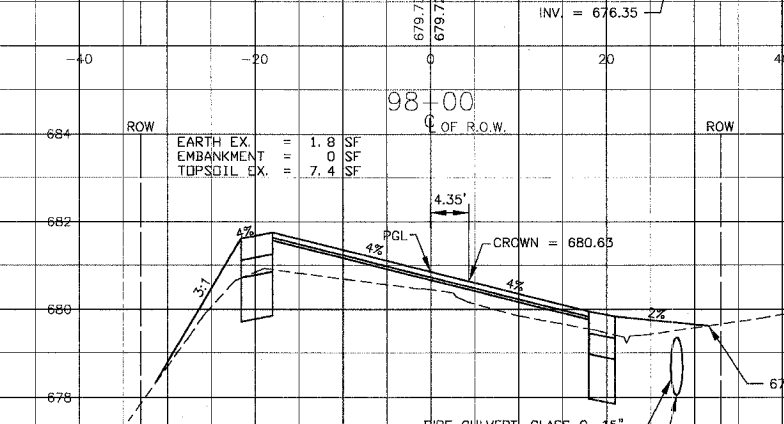
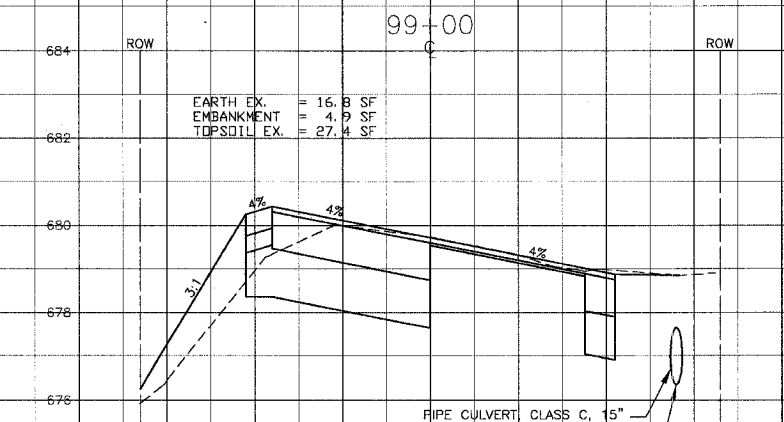
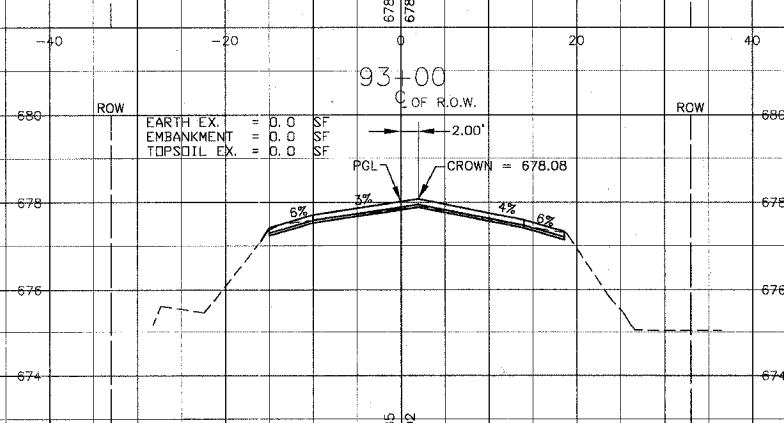
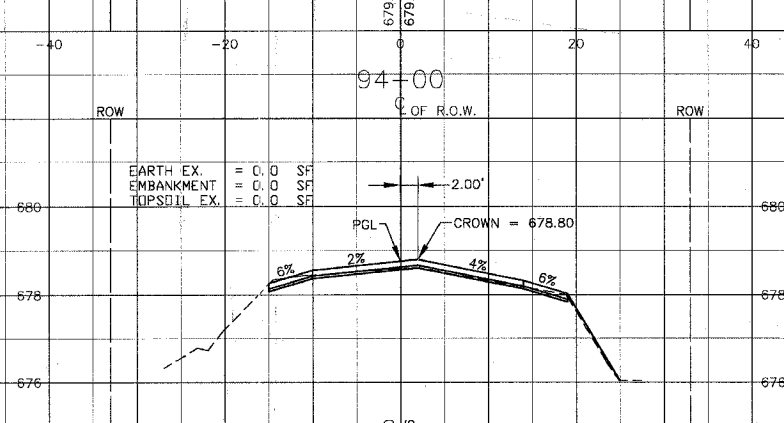
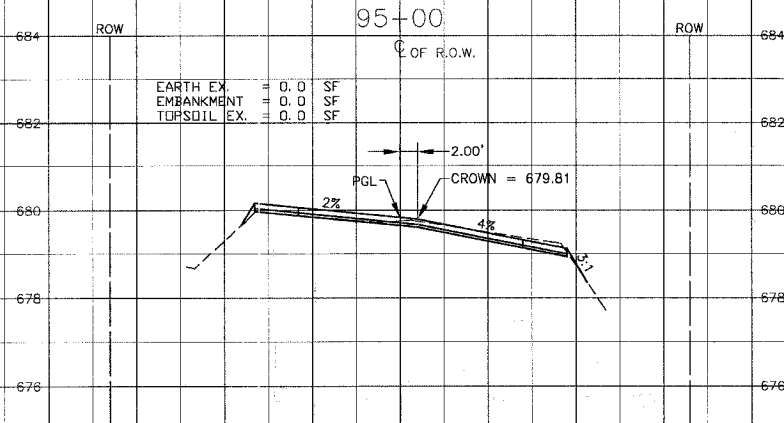
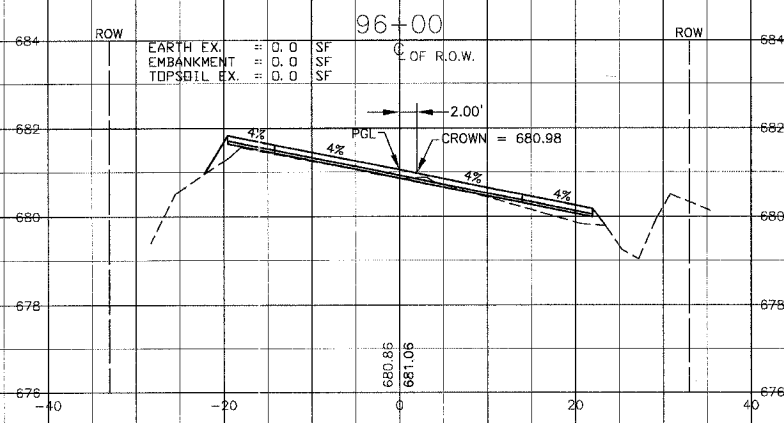


F.A.U. ROUTE NO.	SECTION	COUNTY	TOTAL SHEETS	SHEET NO.
2774	99-00073-00-WR	COOK	116	112
STA.	TO STA.	ILLINOIS	FED AID PROJECT	
FED. ROAD DIST. NO. 1			CMM-7003 (750)	
CONTRACT NO. 83727				



CONSULTANTS	REV. NO.	DATE	DESCRIPTION
BAXTER & WOODMAN	1	4-28-06	PER IDOT AND COOK COUNTY COMMENTS
	2	5-8-06	PER IDOT COMMENTS

\* - REFER TO EQUIPMENT MANUFACTURER'S SHOP DRAWINGS

**BAXTER & WOODMAN**  
 Consulting Engineers

*Baxter & Woodman*  
 Crystal Lake, Illinois 815.469.1260  
 Burlington, Wisconsin 262.763.7934  
 Mokena, Illinois 708.478.2090  
 DeKalb, Illinois 815.787.3111  
 Crystal Lake, Illinois 847.223.5088  
 Rockford, Illinois 815.469.1551  
 Plainfield, Illinois 815.609.7485

**CITY OF OAK FOREST, ILLINOIS**  
**OAK PARK AVENUE PROJECT**

**CROSS SECTIONS**  
**OAK PARK AVENUE**  
**STA. 93+00 TO STA. 100+00**

DESIGNED BY	SCALE VERT: 1"=2'
DRAWN BY	HORIZ: 1"=10'
CHECKED BY	PROJECT NO.
DATE	020146
	SHEET NO.
	<b>112 OF 116</b>

I:\OAKFT\020146\DWGS\06\94-YS.dwg  
 Plotted: 5-08-06 @ 1:26pm By: 354-rip  
 Copyright © 2004, By Baxter & Woodman, Inc.  
 State of Illinois - Professional Design Firm  
 License No. 184-001121 - Expires 4-30-05