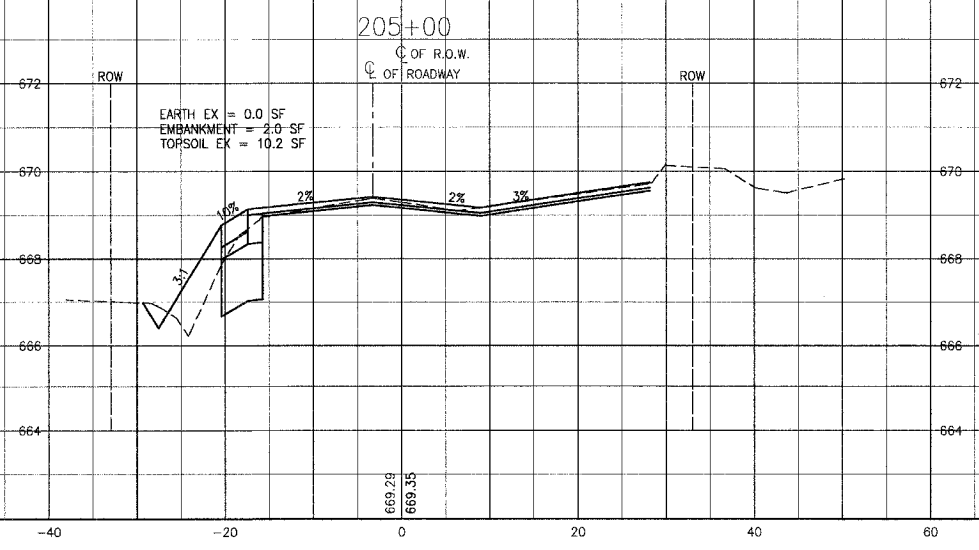
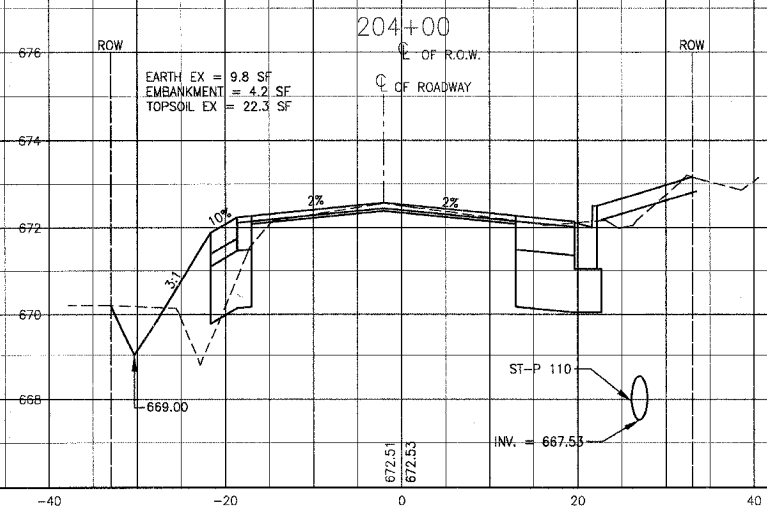
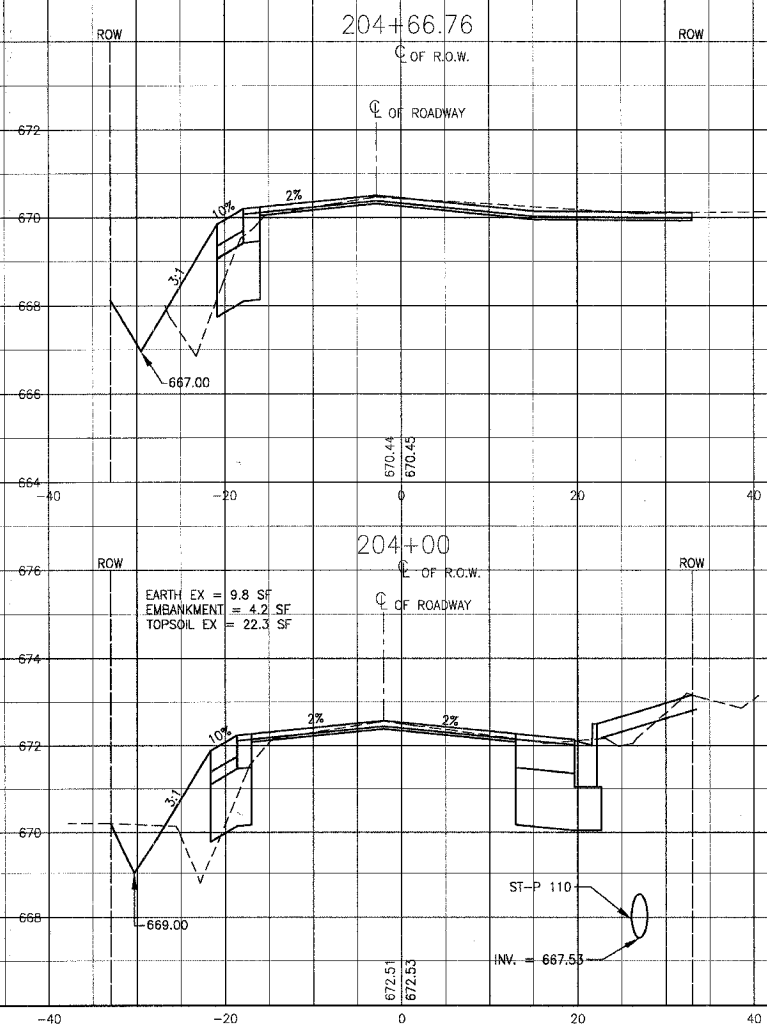


F.A.U. ROUTE NO.	SECTION	COUNTY	TOTAL SHEETS	SHEET NO.
2774	89-00073-00-WR	COOK	116	115
STA.	TO STA.		FED. ROAD DIST. NO. 1	ILLINOIS
				FED AID PROJECT CMM-7003 (750)
CONTRACT NO. 83727				



I:\OAKFY\020146\DWG\JUSTMERE-XS.dwg
 Plotted: 5/08/06 @ 1:33pm By: 354-rjp
 Copyright © 2004, By Baxter & Woodman, Inc.
 State of Illinois - Professional Design Firm
 License No. - 184-001121 - Expires 4-30-05

CONSULTANTS	REV. NO.	DATE	DESCRIPTION
	1	4-28-06	PER IDOT AND COOK COUNTY COMMENTS
	2	5-8-06	PER IDOT COMMENTS

* - REFER TO EQUIPMENT MANUFACTURER'S SHOP DRAWINGS


Baxter & Woodman
 Consulting Engineers
 Crystal Lake, Illinois 815.459.1360
 Burlington, Wisconsin 262.763.7894
 Mokena, Illinois 708.478.5090
 DeKalb, Illinois 815.787.3111
 Grayslake, Illinois 847.233.5088
 Rockford, Illinois 815.400.1551
 Plainfield, Illinois 815.608.7425

CITY OF OAK FOREST, ILLINOIS
OAK PARK AVENUE PROJECT

CROSS SECTIONS
JUSTAMERE ROAD
STA. 204+00 TO STA. 205+00

DESIGNED BY PAW	SCALE VERT: 1"=2'
DRAWN BY UKB	HORIZ: 1"=10'
CHECKED BY LDH	PROJECT NO. 020146
DATE 1-20-05	SHEET NO. 115 OF 116