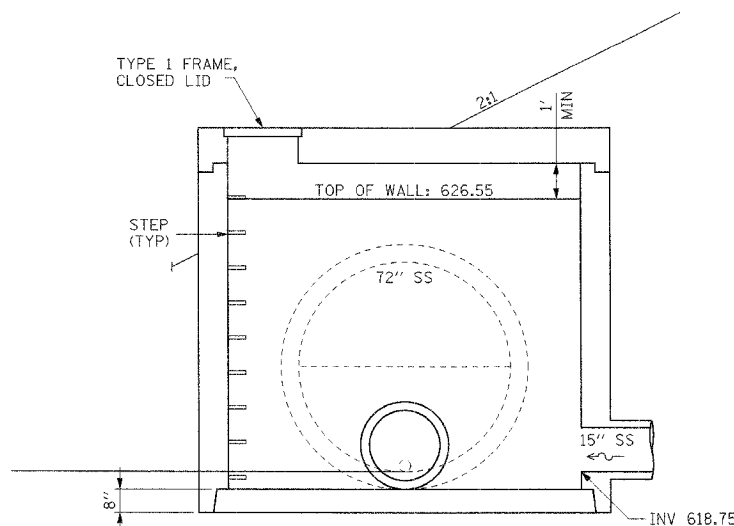


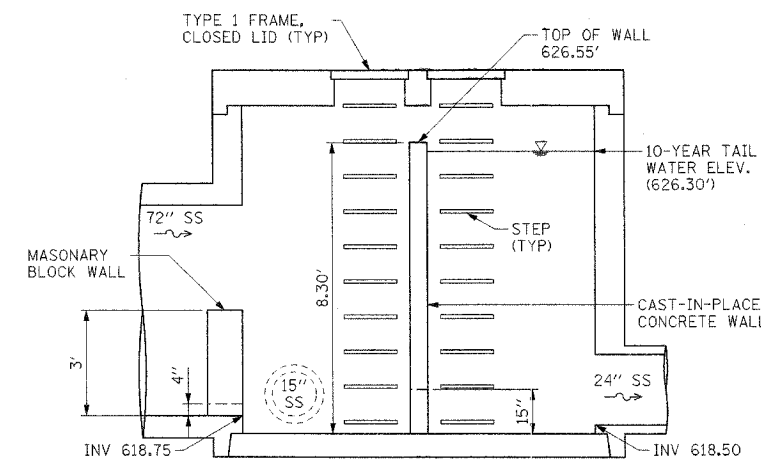
NOTES:

1. THE FLAP GATE SHALL BE A COMMERCIAL PRODUCT PRODUCED BY A RELIABLE MANUFACTURER AS APPROVED BY THE ENGINEER.
2. THE GATE SHALL BE MADE OF CAST IRON, CAST STEEL OR OTHER SUITABLE MATERIALS AS APPROVED BY THE ENGINEER.
3. THE FLAP GATE MUST WORK IN A SATISFACTORY, TROUBLE-FREE MANNER AND SHOULD WITHSTAND THE WATER PRESSURE AT THE INSTALLATION LOCATION.

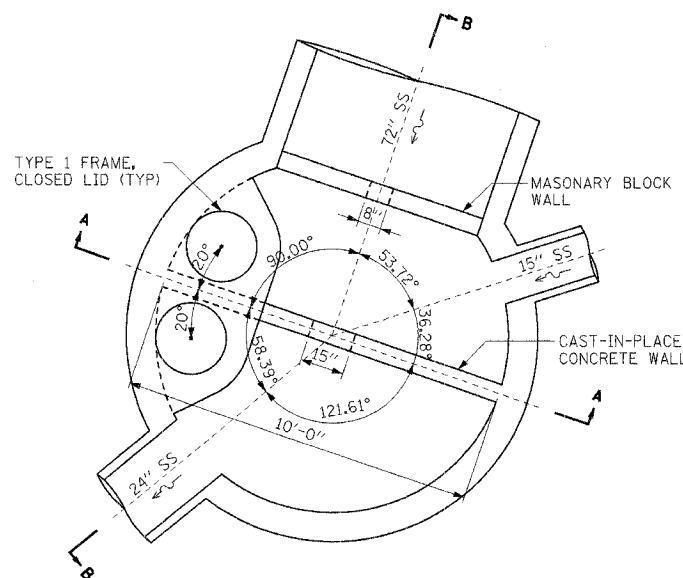
FLAP GATE 12"



SECTION A-A



SECTION B-B



PLAN

TEN-FOOT MANHOLE
AT STATION 14+07.35

REVISIONS	
NAME	DATE

VILLAGE OF NEW LENOX
F.A.U. (0369) CEDAR ROAD OVER HICKORY CREEK
WILL COUNTY

DRAINAGE DETAILS

SCALE: NTS
DATE: 07/01/05

DRAWN BY: PFR
CHECKED BY: CJH



TENGO & ASSOCIATES, INC.
ENGINEERS/ARCHITECTS/PLANNERS
302 N. MICHIGAN AVE., CHICAGO, IL 60601
TELEPHONE: 312.919-2000