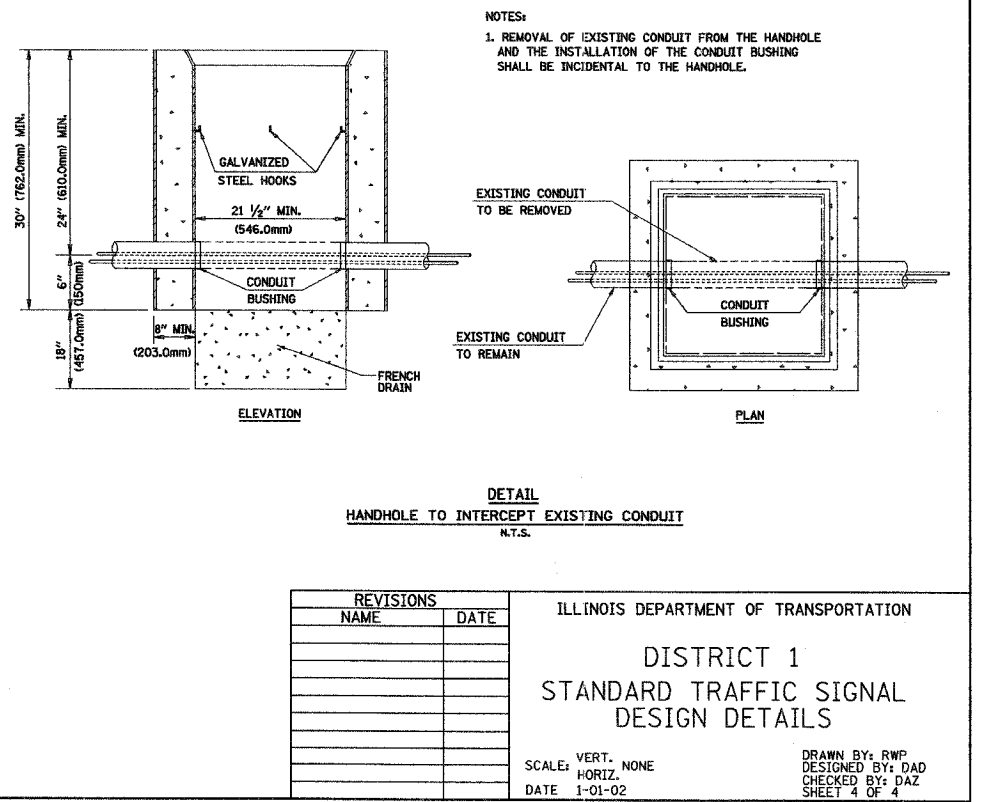
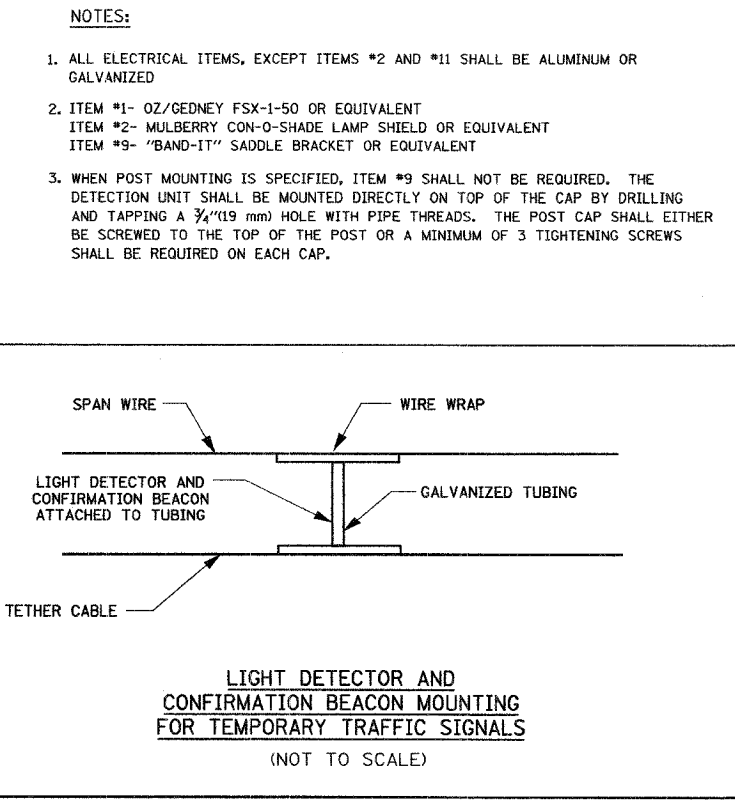
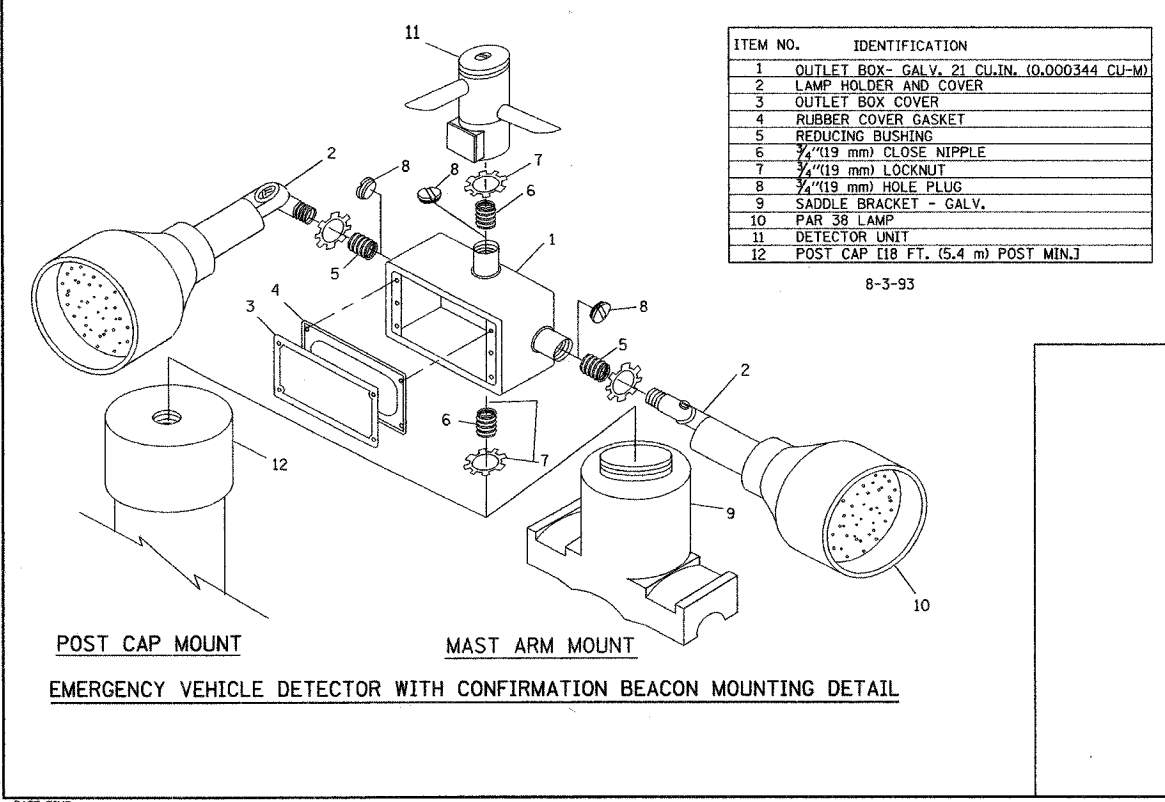
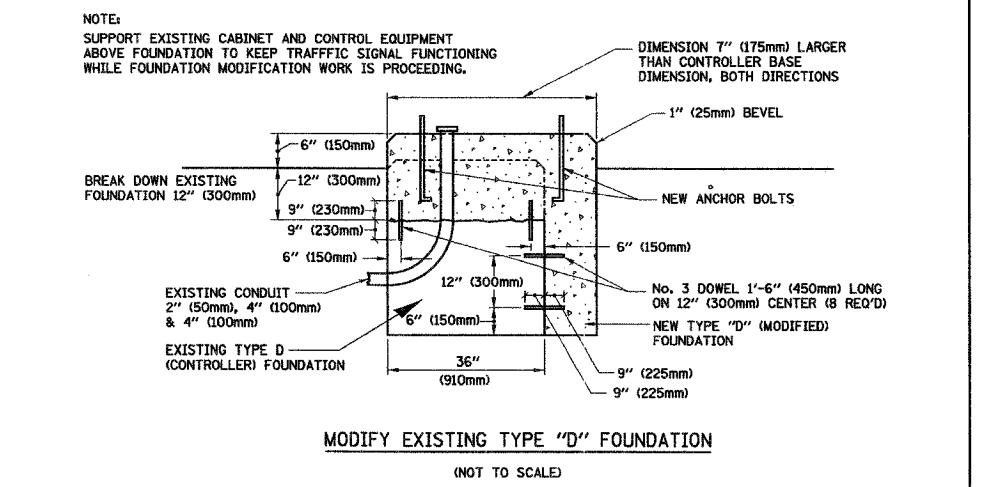
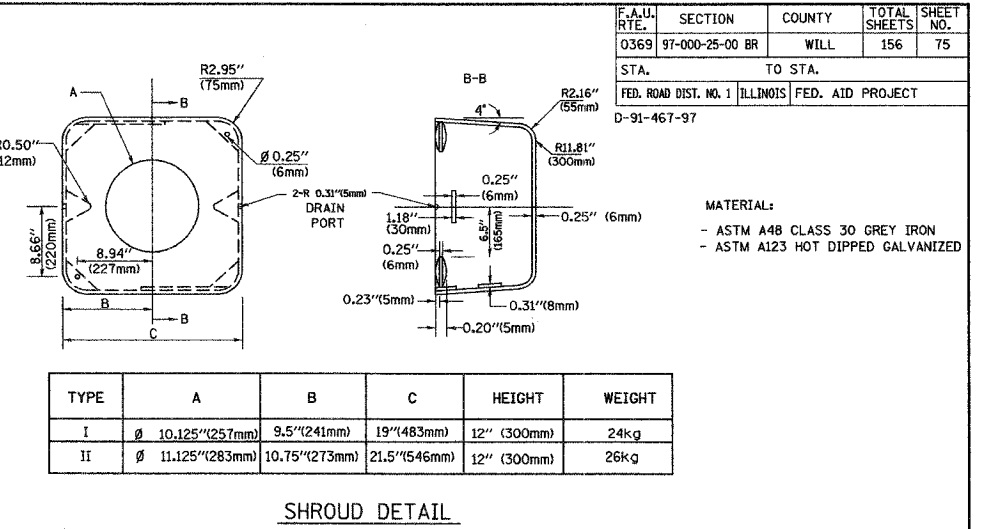
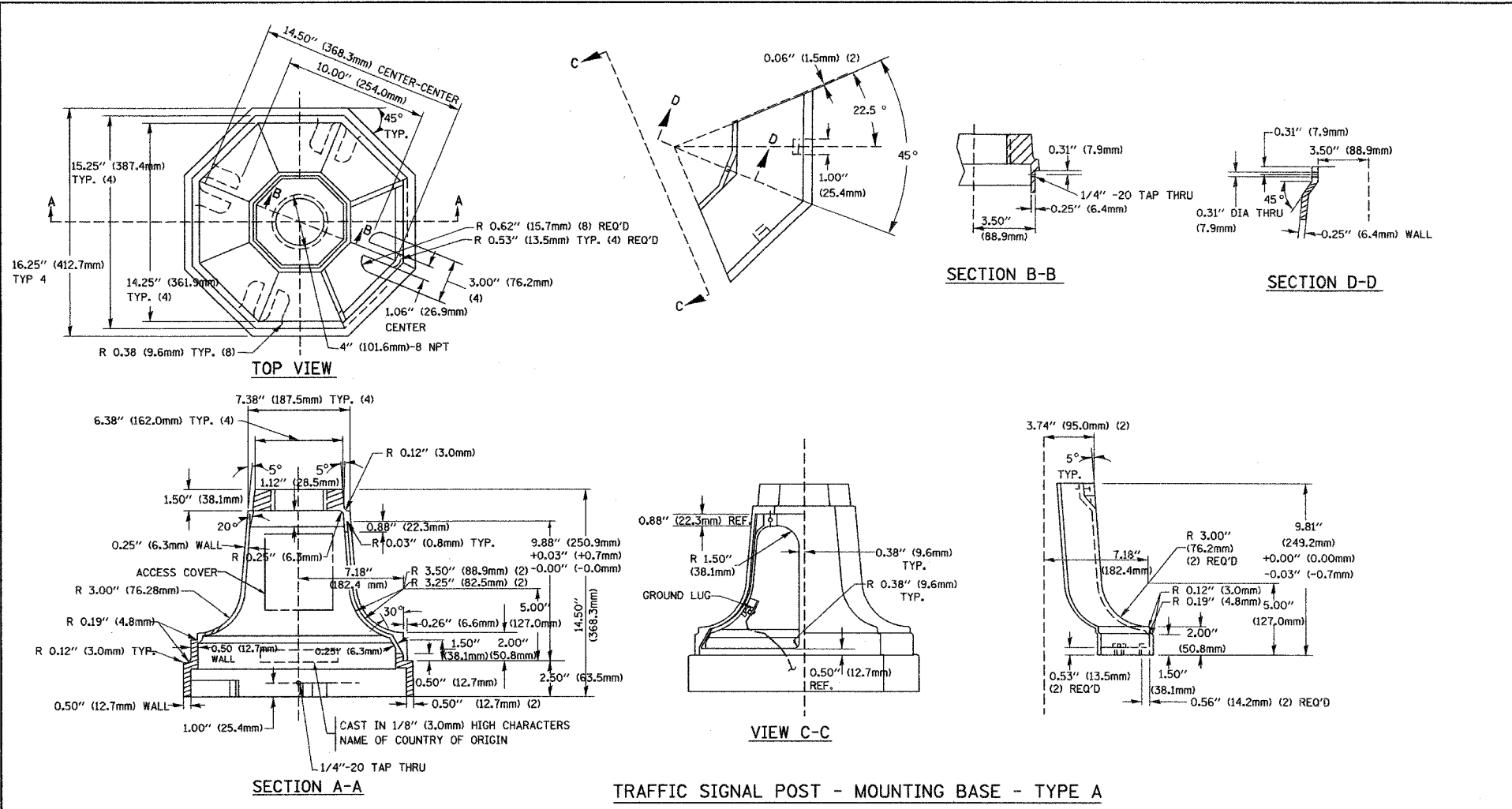


F.A.U. RTE.	SECTION	COUNTY	TOTAL SHEETS	SHEET NO.
0369	97-000-25-00 BR	WILL	156	75
STA.		TO STA.		
FED. ROAD DIST. NO. 1		ILLINOIS FED. AID PROJECT		
D-91-467-97				



I:\projects\projects_2003\cedor\dl04-std4.dgn
 DATE-TIME: 1/1/02 10:00 AM
 DGN-SPEC: