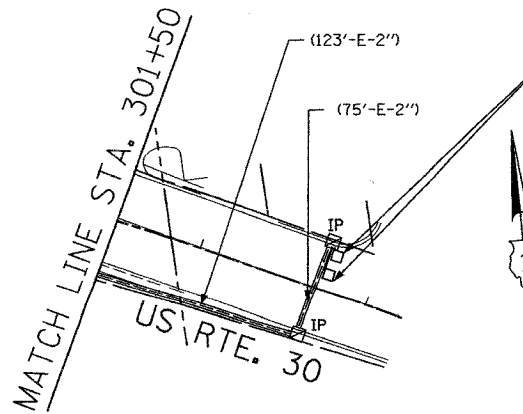
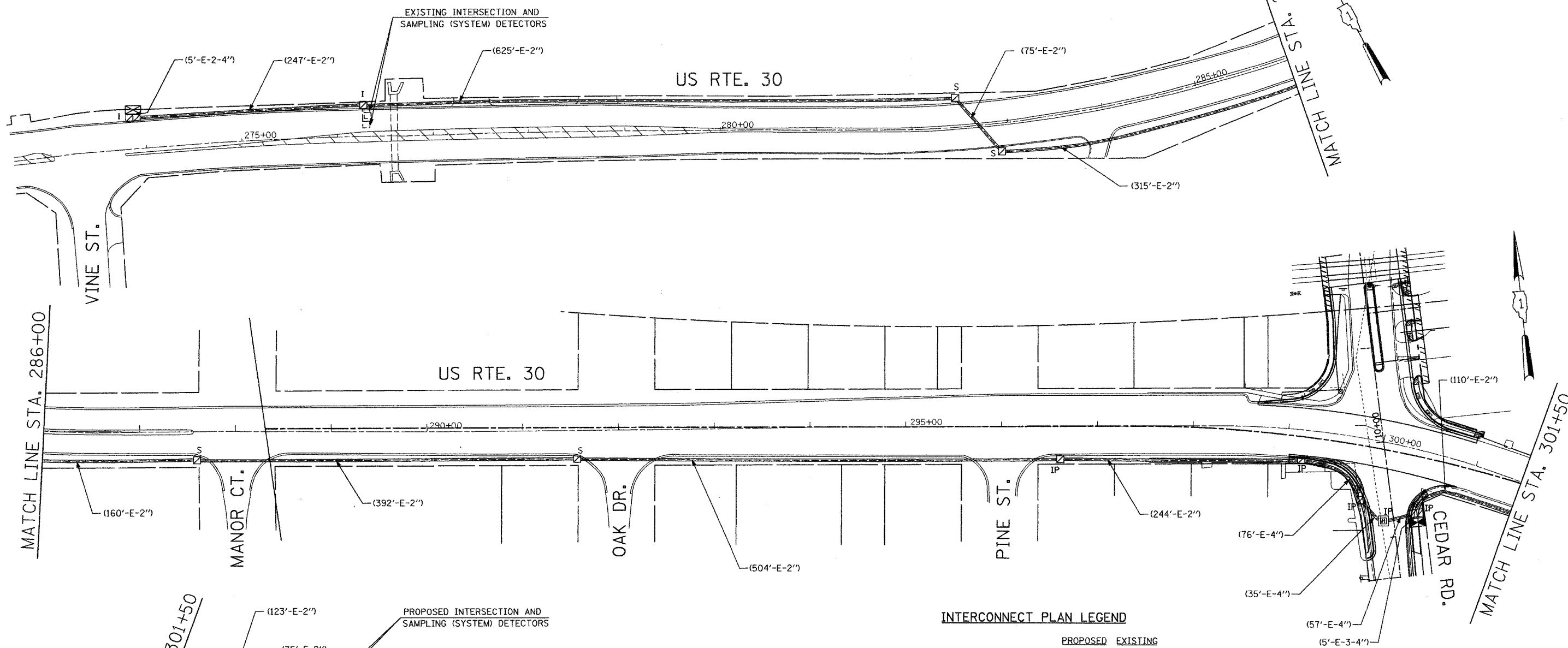


83757

F.A.P. RTE.	SECTION	COUNTY	TOTAL SHEETS	SHEET NO
0369	97-000-25-00 BR	WILL	156	90
STA.		TO STA.		
FED. ROAD DIST. NO.		ILLINOIS	FED. AID PROJECT	
D-91-467-97				



**INTERCONNECT SCHEDULE OF QUANTITIES**

QUANTITY	UNIT	ITEM
4646	FOOT	REMOVE ELECTRIC CABLE FROM CONDUIT
1	EACH	MAINTENANCE OF EXISTING TRAFFIC SIGNAL INSTALLTION
2827	FOOT	ELECTRIC CABLE IN CONDUIT, TRACER NO. 14 1C
2853	FOOT	FIBER OPTIC CABLE IN CONDUIT, NO. 62.5/125 MM12F & SM12F
1	L SUM	RE-OPTIMIZE TRAFFIC SIGNAL SYSTEM

**INTERCONNECT PLAN LEGEND**

	PROPOSED	EXISTING
CONTROLLER		
HANDHOLE		
DOUBLE HANDHOLE		
HEAVY DUTY HANDHOLE		
GALVANIZED STEEL CONDUIT IN TRENCH OR PUSHED		
DETECTOR LOOP		
COMMON TRENCH	CT	
UNIT DUCT	UD	
SYSTEM	S	
INTERSECTION	IP	I
TELEPHONE CONNECTION	T	T
STAINLESS STEEL JUNCTION BOX	⊙	⊙ "E"

THE TRAFFIC SIGNAL CONTROL EQUIPMENT FOR THIS PROJECT SHALL BE "EAGLE" TO MATCH THE EXISTING ADJACENT SYSTEM.

ILLINOIS DEPARTMENT OF TRANSPORTATION

INTERCONNECT PLAN  
VINE STREET TO CEDAR ROAD AT  
US 30 (LINCOLN HIGHWAY)

REVISIONS	
NAME	DATE

SCALE: 1"=50'  
DATE: JULY 20, 2005

DRAWN BY: JEK/BB  
DESIGNED BY: RRM  
CHECKED BY: RRM/PKG

**go** GANDHI AND ASSOCIATES, INC.  
ENGINEERS AND PLANNERS  
6035 N. NORTHWEST HIGHWAY  
SUITE 306  
CHICAGO, ILLINOIS 60631 TEL. (773) 774-5910