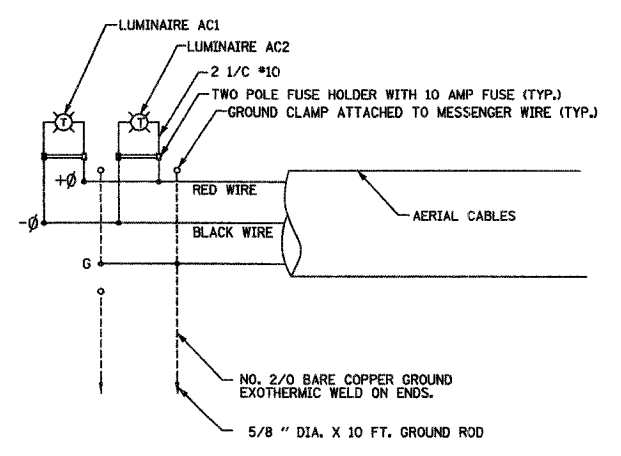
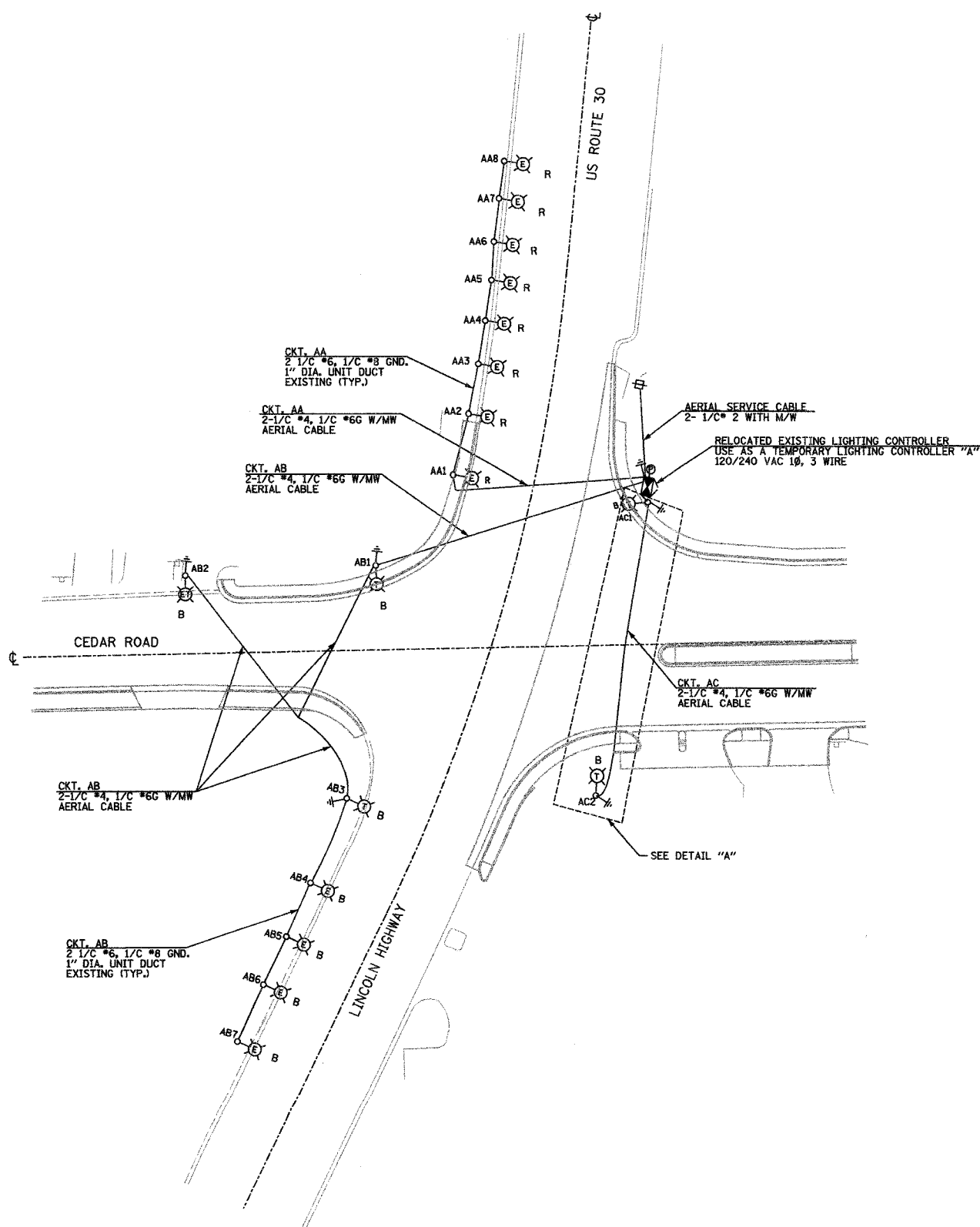




- LEGEND**
- LIGHTING CONTROLLER
 - TEMPORARY COMBINATION LIGHTING UNIT
40' M.H., 12' M.A., 400W HPS LUMINAIRE (BLACK PHASE)
 - TEMPORARY COMBINATION LIGHTING UNIT
40' M.H., 12' M.A., 400W HPS LUMINAIRE (RED PHASE)
 - EXISTING LIGHTING UNIT TO REMAIN
50' M.H., 6' M.A., 400W HPS LUMINAIRE (BLACK PHASE)
 - EXISTING LIGHTING UNIT TO REMAIN
50' M.H., 6' M.A., 400W HPS LUMINAIRE (RED PHASE)
 - EXISTING TEMPORARY LIGHTING UNIT
50' M.H., 6' M.A., 400W HPS LUMINAIRE (BLACK PHASE)
 - EXISTING TEMPORARY LIGHTING UNIT
50' M.H., 6' M.A., 400W HPS LUMINAIRE (RED PHASE)
 - ELECTRIC GROUND ROD
 - PHOTOCELL
 - ELECTRIC UTILITY POLE



DETAIL "A"
LUMINAIRE WIRING CONNECTION (TYP.)

CIRCUIT	BLACK PHASE		CIRCUIT	RED PHASE	
	AMPS	WATTS		AMPS	WATTS
B	14.0	3360	A	16.0	3840
C	4.0	960			
TOTAL	18.0	4320	TOTAL	16.0	3840

REVISIONS	
NAME	DATE