

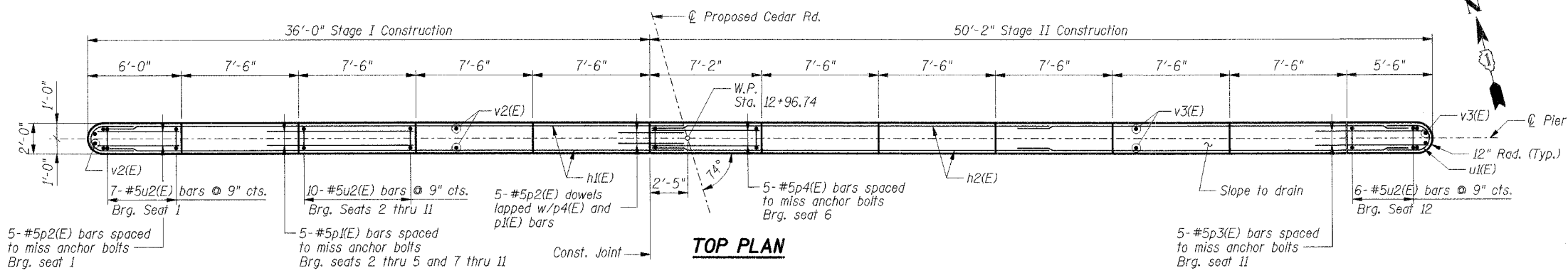
F.A.U. RT#	SECTION	COUNTY	TOTAL SHEETS	SHEET NO.
0369	BT-00025-00-BR	WILL	156	131
STA.	TO STA.		FED. ROAD DIST. NO.	
	ILLINOIS		FED. AID PROJECT	
			CONTRACT NO: 83757	

Bridge Seat Elevations

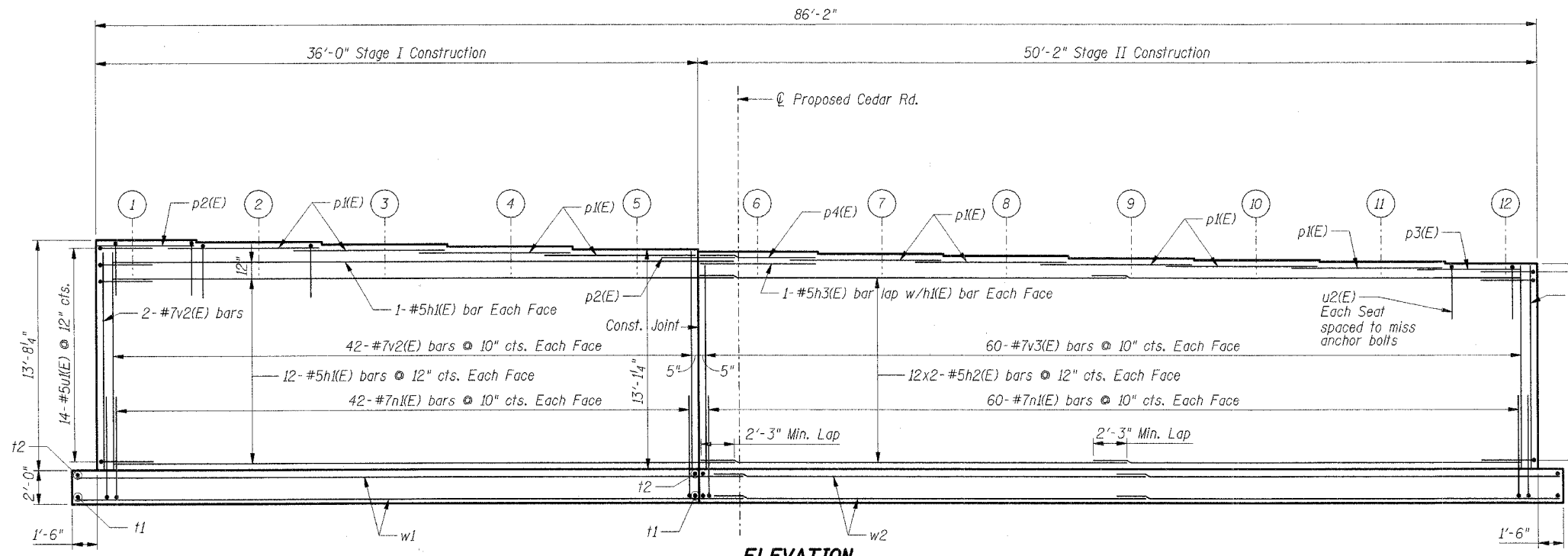
Beam	Pier Elev.
1	630.019
2	629.852
3	629.691
4	629.536
5	629.388
6	629.252
7	629.118
8	628.990
9	628.869
10	628.754
11	628.645
12	628.543

BAR LIST

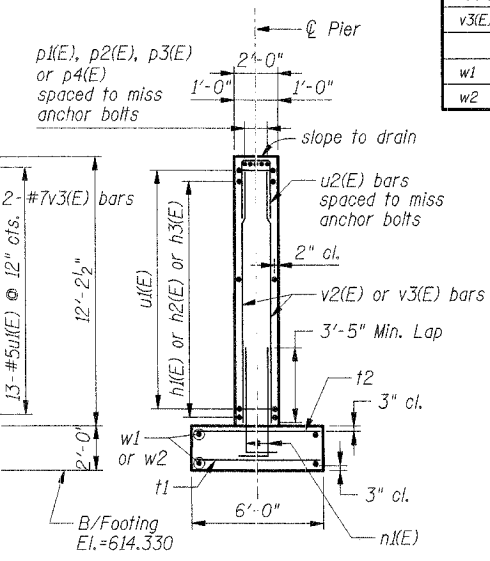
Bar	No.	Size	Length	Shape
h1(E)	26	5	37'-7"	
h2(E)	48	5	25'-10"	
h3(E)	2	5	14'-6"	
n1(E)	208	7	6'-4"	
p1(E)	45	5	9'-7"	
p2(E)	10	5	5'-0"	
p3(E)	5	5	7'-6"	
p4(E)	5	5	6'-11"	
u1(E)	27	5	7'-2"	
u2(E)	113	5	7'-5"	
v2(E)	86	7	12'-11"	
v3(E)	122	7	12'-1"	
w1	14	5	39'-8"	
w2	28	5	27'-0"	



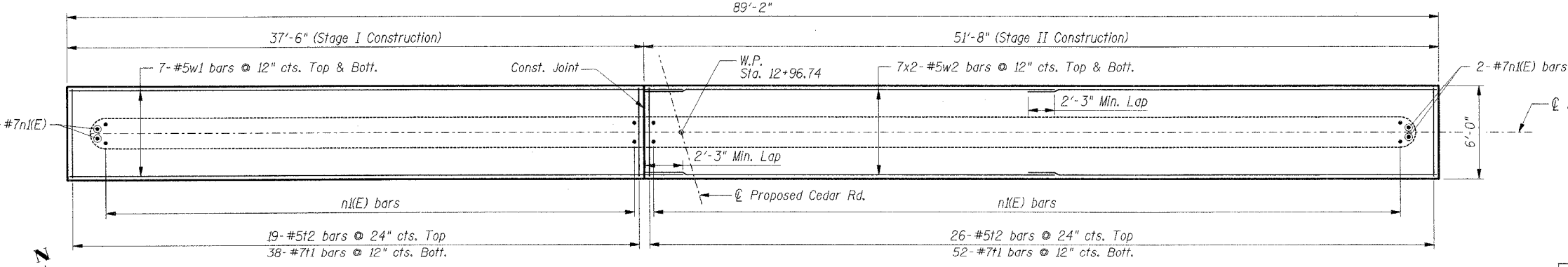
TOP PLAN



ELEVATION
(Looking North)



END VIEW



FOOTING PLAN

Notes:

1. Reinforcement Bars designated (E) shall be epoxy coated.
2. Bars indicated thus 20 x 3-#5 etc. indicates 20 lines of bars with 3 lengths per line.
3. For Bearing details, see Sheet S-15.
4. For Footing Layout, see Sheet S-04.

BILL OF MATERIALS

Item	Unit	Total
Cofferdam Excavation	Cu. Yd.	28.1
Concrete Structures	Cu. Yd.	119.0
Reinforcement Bars	Lb	2640
Reinforcement Bars, Epoxy Coated	Lb	11970
Rock Excavation	Cu. Yd.	36.5

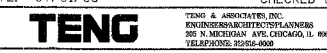
SHT. S-22

REVISIONS	
NAME	DATE

VILLAGE OF NEW LENOX
F.A.U. (0369) CEDAR ROAD OVER HICKORY CREEK
WILL COUNTY

PIER

SCALE: 1/4"=1'-0"
DATE: 07/01/05
DRAWN BY: FZD
CHECKED BY: KPS



S:\PROJECTS\0369 CEDAR RD OVER HICKORY CREEK\PIER\PIER.DWG
 8-29-2005, 17:46:34
 S:\DOCUMENTS\0369 CEDAR RD OVER HICKORY CREEK\PIER\PIER.DWG
 8-29-2005, 17:46:34
 S:\PROJECTS\0369 CEDAR RD OVER HICKORY CREEK\PIER\PIER.DWG
 8-29-2005, 17:46:34
 S:\PROJECTS\0369 CEDAR RD OVER HICKORY CREEK\PIER\PIER.DWG
 8-29-2005, 17:46:34