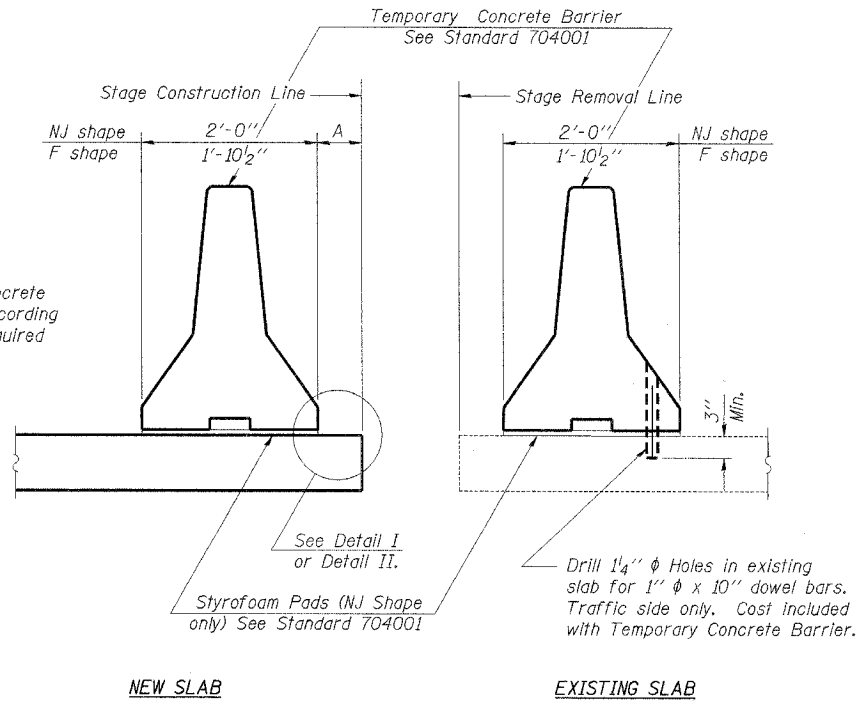


F.A.U. No.	SECTION	COUNTY	TOTAL SHEETS	SHEET NO.
0369	97-00025-00-BR	WILL	156	137
STA.	TO STA.			
FED. ROAD DIST. NO.	ILLINOIS	FED. AID PROJECT		

CONTRACT NO: 83757

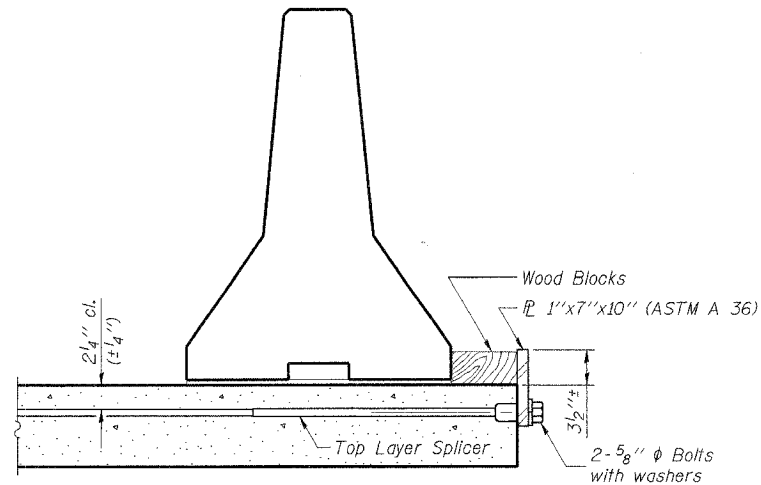
When "A" is 3'-6" or less, the temporary concrete barrier shall be anchored to the new slab according to Detail I or Detail II. No anchorage is required when "A" is greater than 3'-6".



**SECTIONS THRU SLAB**

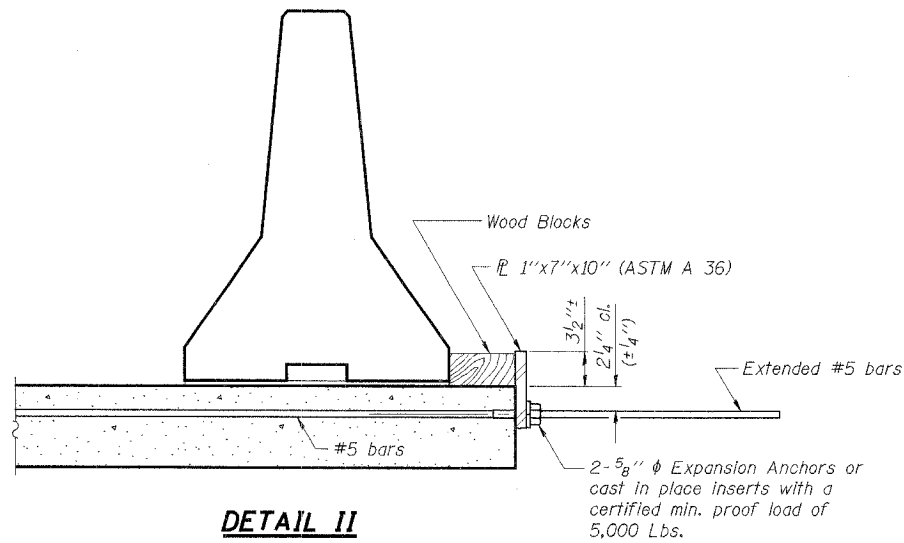
**NOTES**

- Detail I - With Bar Splicer or Couplers:**  
Connect one (1) 1"x7"x10" steel  $\bar{P}$  to the top layer of couplers with 2- $\frac{5}{8}$ "  $\phi$  bolts screwed to coupler at approximate  $\bar{C}$  of each barrier panel.
- Detail II - With Extended Reinforcement Bars:**  
Connect one (1) 1"x7"x10" steel  $\bar{P}$  to the concrete slab with 2- $\frac{5}{8}$ "  $\phi$  Expansion Anchors or cast in place inserts spaced between the top layer of reinforcement at approximate  $\bar{C}$  of each barrier panel.
- Cost of anchorage is included with Temporary Concrete Barrier.



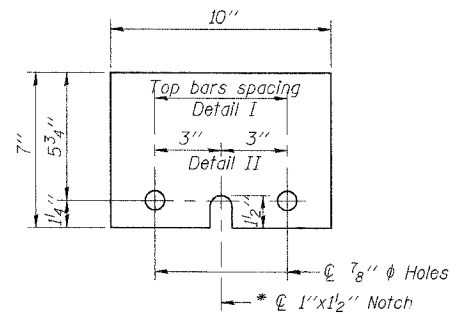
**DETAIL I**

The 1"x7"x10" Plate shall not be removed until Stage II Construction forms and reinforcement bars are in place.



**DETAIL II**

The 1"x7"x10" Plate shall not be removed until Stage II Construction forms and all reinforcement bars are in place and the concrete is ready to be placed.



**1"x7"x10"**

\* Required only with Detail II

SHT. S-28

REVISIONS	
NAME	DATE

VILLAGE OF NEW LENOX  
F.A.U. (0369) CEDAR ROAD OVER HICKORY CREEK  
WILL COUNTY  
**TEMPORARY CONCRETE BARRIER FOR STAGE CONSTRUCTION**

SCALE: NO SCALE  
DATE: 07/01/05

DRAWN BY: FZD  
CHECKED BY: KPS

**TENG**

TENG & ASSOCIATES, INC.  
ENGINEERING ARCHITECTURAL PLANNERS  
355 N. MEDEBIEAN AVE. CHICAGO, ILL. 60601  
TELEPHONE: 312-642-0000

S:\DOCUMENT\0228801\STRUCT\CON\51400P55.DGN SA:DOCUMENT\0228801\STRUCT\CON\51400P55.DGN