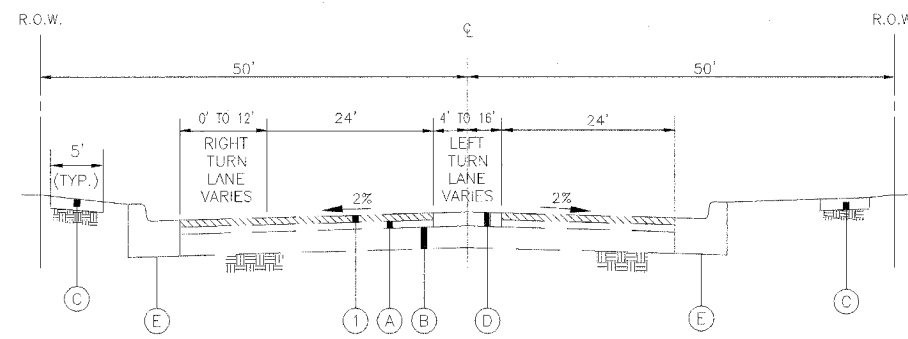


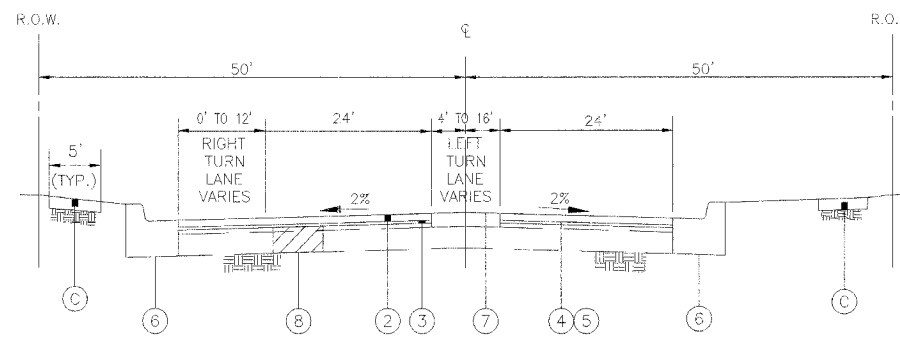
F.A.U. RTE.	SECTION	COUNTY	TOTAL SHEETS	SHEET NO.
2771	02-00136-00-RS	COOK	27	4

CONTRACT: 83842

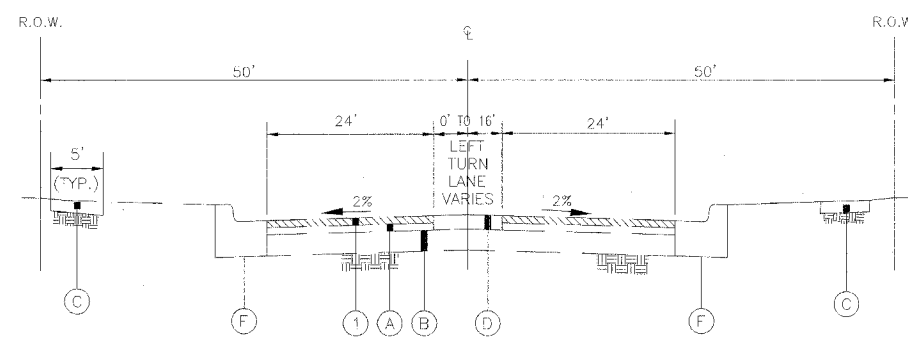
- (A) EXISTING BITUMINOUS SURFACE COURSE
- (B) EXISTING P.C.C. BASE COURSE
- (C) EXISTING P.C.C. SIDEWALK
- (D) CORRUGATED CONCRETE MEDIAN
- (E) COMB. CONC. CURB & GUTTER, TYPE B-6.12
- (F) COMB. CONC. CURB & GUTTER, TYPE B-6.24
- (1) BITUMINOUS CONCRETE SURFACE REMOVAL, 2"
- (2) BIT. CONC. SURF. CRSE. SUPERPAVE, MIX D, N70, (1-1/2")
- (3) POLYMERIZED LEVELING BINDER (MACHINE METHOD), SUPERPAVE, IL-4.75 N50 (3/4")
- (4) BITUMINOUS MATERIALS (PRIME COAT)
- (5) AGGREGATE (PRIME COAT)
- (6) COMB. CONC. CURB & GUTTER REMOVAL AND REPLACEMENT, AS DIRECTED BY THE ENGINEER
- (7) CONCRETE MEDIAN SURFACE REMOVAL
- (8) CLASS D PATCHES, 9", AS SHOWN ON PLANS AND DIRECTED BY THE ENGINEER



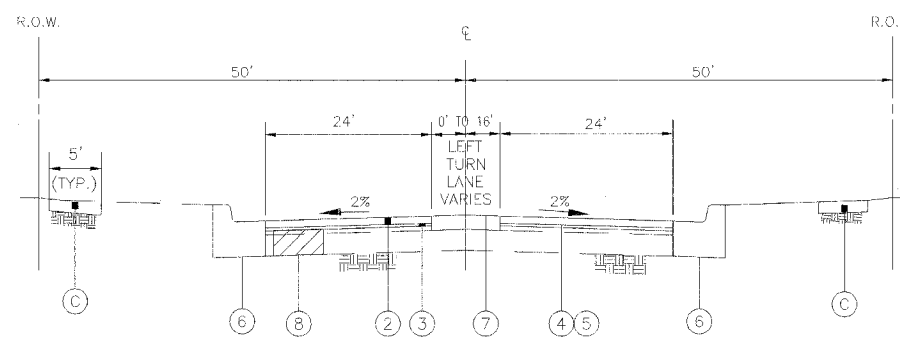
EXISTING TYPICAL SECTION
STA. 116+07 TO 119+84



PROPOSED TYPICAL SECTION
STA. 116+07 TO 119+84



EXISTING TYPICAL SECTION
STA. 119+84 TO 144+90



PROPOSED TYPICAL SECTION
STA. 119+84 TO 144+90

J:\TOMICH\SKOKIE LAPP\SKOKIE TYP SEC.DWG

VILLAGE OF NORTHBROOK	
SKOKIE BOULEVARD RESURFACING TYPICAL SECTION	
DESIGN: JWH	DATE: 1/19/06
DRAWN: JWH	SCALE: N.T.S.
CHECKED: CRT	FILE NO.: N/A