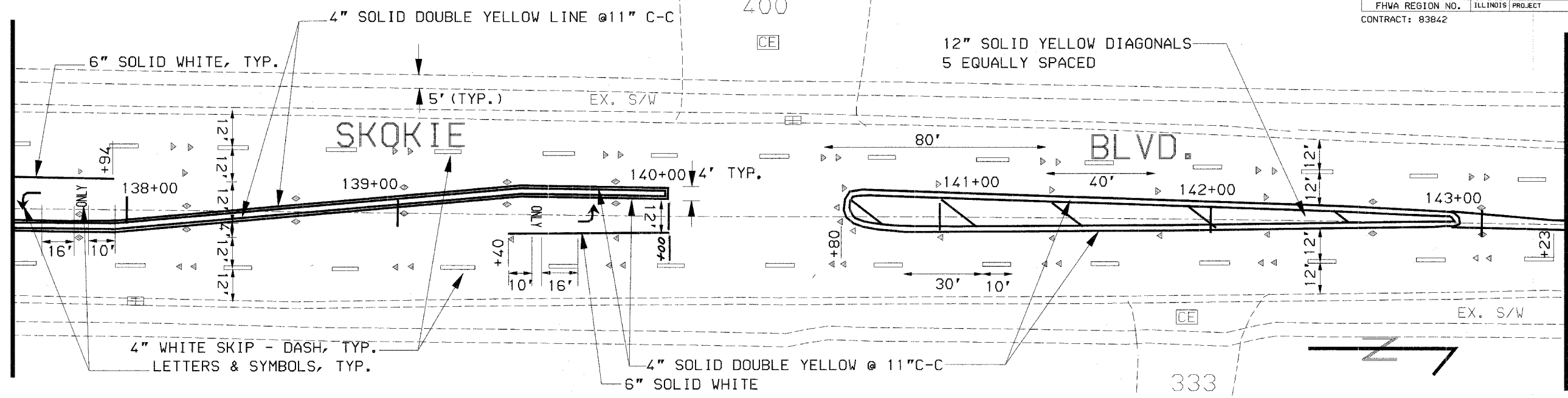


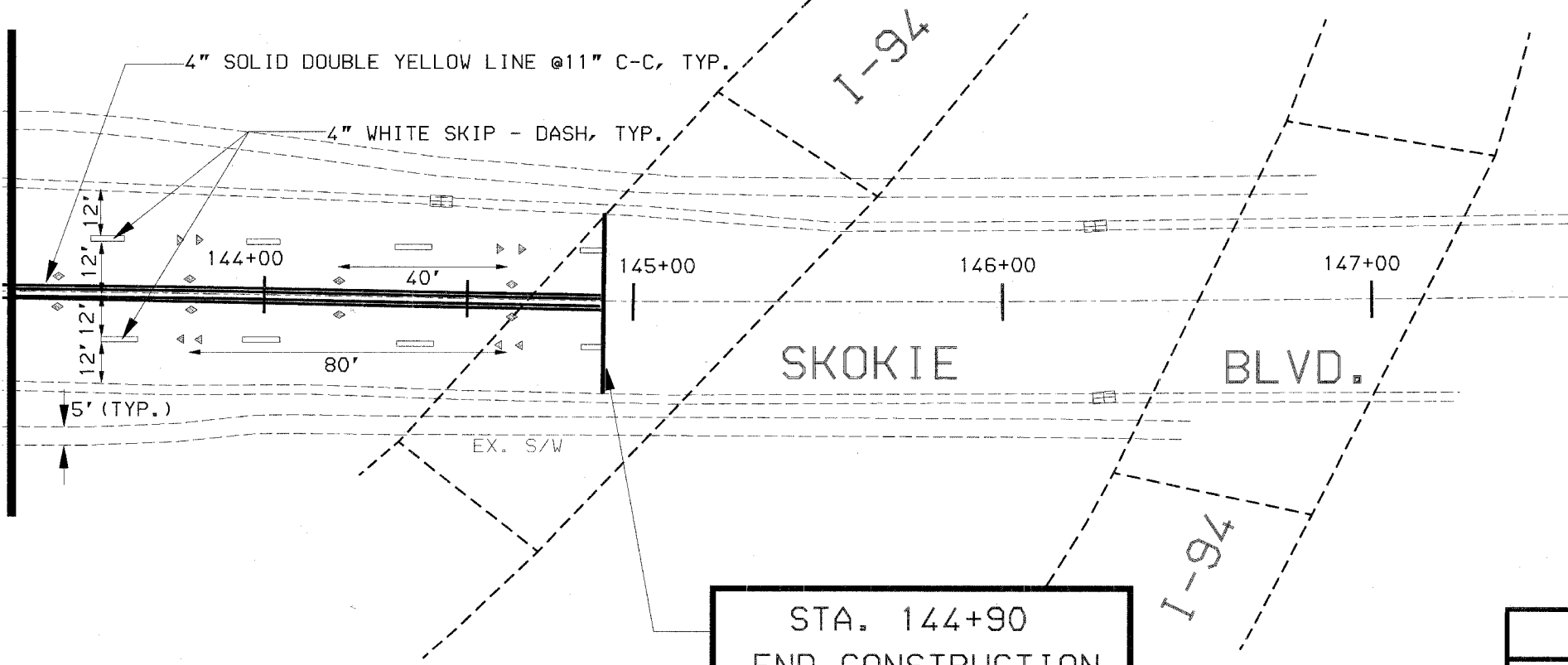
F. A. U. ROUTE	SECTION	COUNTY	TOTAL SHEET SHEETS	SHEET NO.
2771	02-00136-00-RS	COOK	27	16
FHWA REGION NO.		ILLINOIS PROJECT		
CONTRACT: 83842				

MATCH LINE STA. 137+50



MATCH LINE STA. 143+25

MATCH LINE STA. 143+25



STA. 144+90
END CONSTRUCTION

VILLAGE OF NORTHBROOK	
SKOKIE BOULEVARD RESURFACING EXISTING AND PROPOSED PAVEMENT MARKINGS	
STA. 137+50 TO STA. 144+90	
DESIGN: JWH	DATE: 1/19/06
DRAWN: JWH	SCALE: 20'
CHECKED: CRT	FILE NO.: