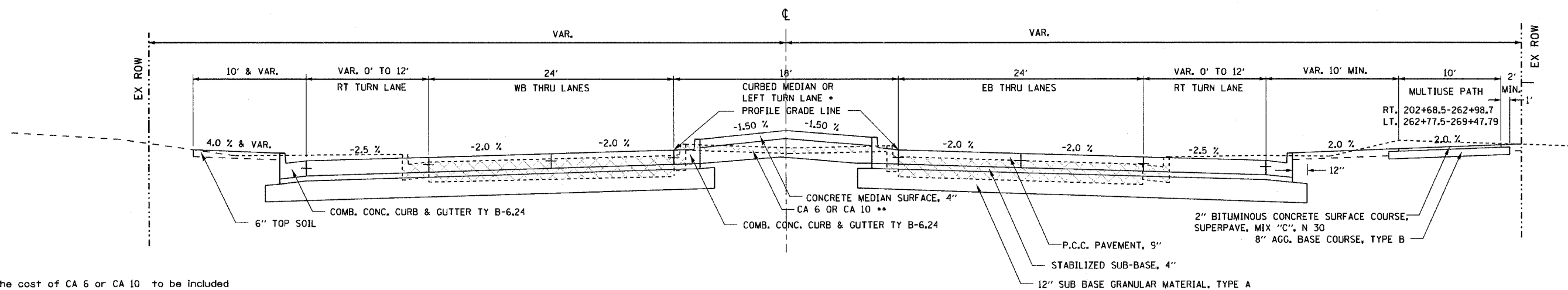


F.A.P. RTE.	SECTION	COUNTY	TOTAL SHEETS	SHEET NO.
303	D3-00520-00-WR	WINNEBAGO	254	16
STA.		TO STA.		
FED. ROAD DIST. NO.		ILLINOIS	FED. AID PROJECT	

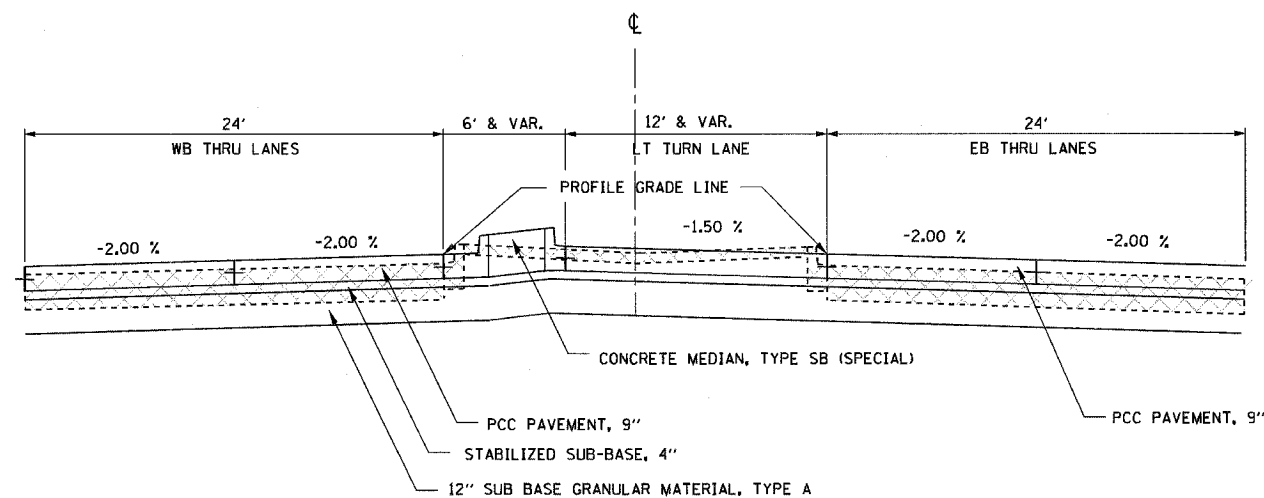
TYPICAL SECTIONS

HARRISON AVENUE
STA. 201+17.31 to 269+47.79



•• The cost of CA 6 or CA 10 to be included
In the cost of SUB-BASE GRANULAR MATERIAL, TYPE A

HARRISON AVENUE
• LEFT TURN LANES



STRUCTURAL DESIGN INFORMATION (RIGID PAVEMENT)

DESIGN PERIOD: 20 YEARS
 STRUCTURAL DESIGN TRAFFIC: YEAR 2015
 PV = 27500 SU = 2163 MU = 1227
 ROAD/STREET CLASSIFICATION: CLASS I
 PERCENT OF STRUCTURAL DESIGN TRAFFIC IN DESIGN LANE:
 PV = 32 % SU = 45% MU = 45%
 TRAFFIC FACTOR: TF = 10.568
 MINIMUM SUBGRADE SUPPORT RATING: POOR

PAVEMENT STRUCTURE:
 SURFACE : P.C.C. PAVEMENT, 9"
 BASE : AGGREGATE BASE COURSE, TYPE A, 6" OR 14"
 TRANS. JOINT SPACING : 15' MAX.