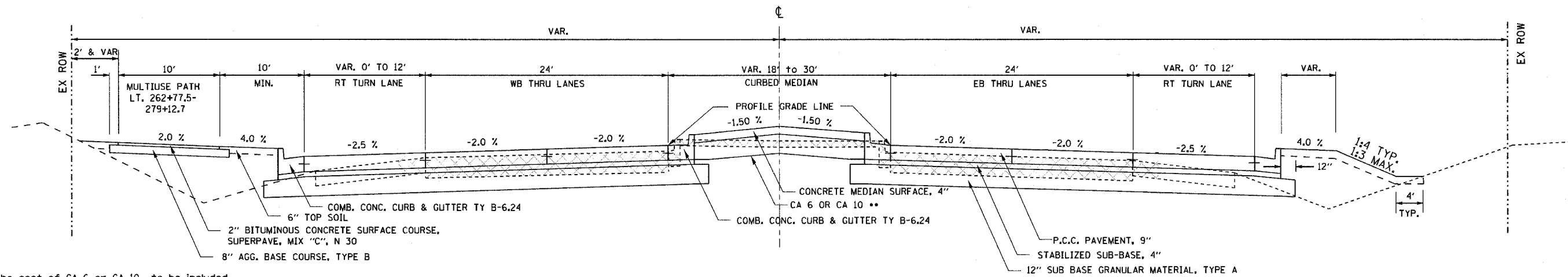


F.A.P. RTE.	SECTION	COUNTY	TOTAL SHEETS	SHEET NO.
303	03-00520-00-WR	WINNEBAGO	254	17
STA.		TO STA.		
FED. ROAD DIST. NO.		ILLINOIS FED. AID PROJECT		

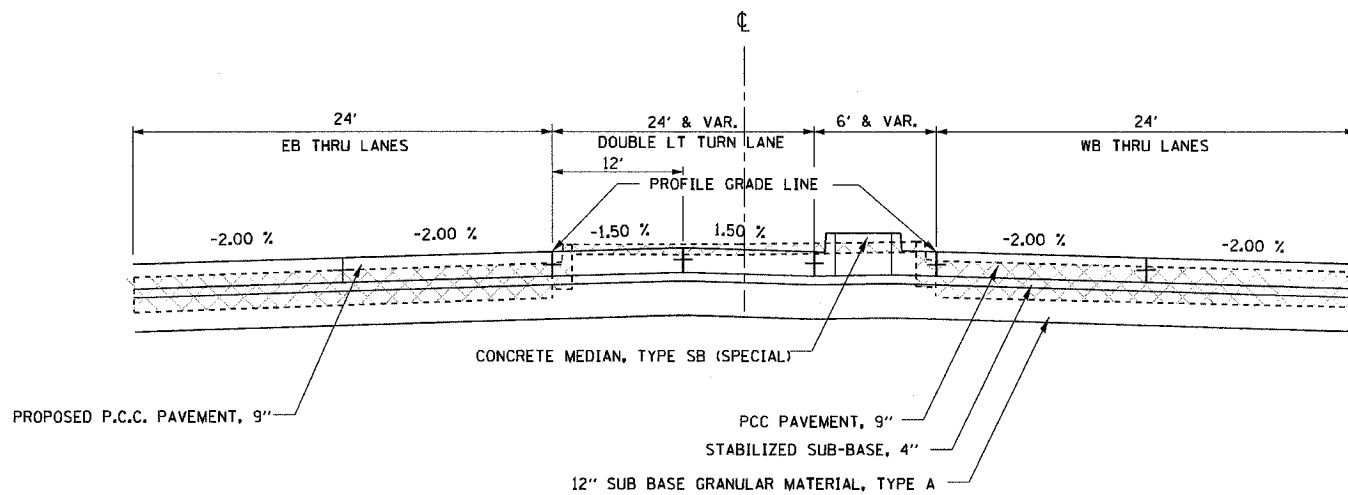
TYPICAL SECTIONS

HARRISON AVENUE
STA. 269+47.79 to 289+61.24



** The cost of CA 6 or CA 10 to be included
In the cost of SUB-BASE GRANULAR MATERIAL, TYPE A

HARRISON AVENUE
W.B. DOUBLE LEFT TURN LANES
STA. 279+99.10 to 286+54.96



HARRISON AVENUE
E.B. DOUBLE LEFT TURN LANES
STA. 272+47.79 to 279+99.10

