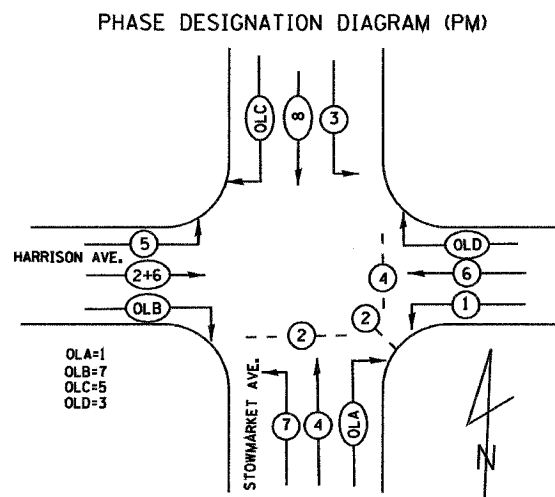
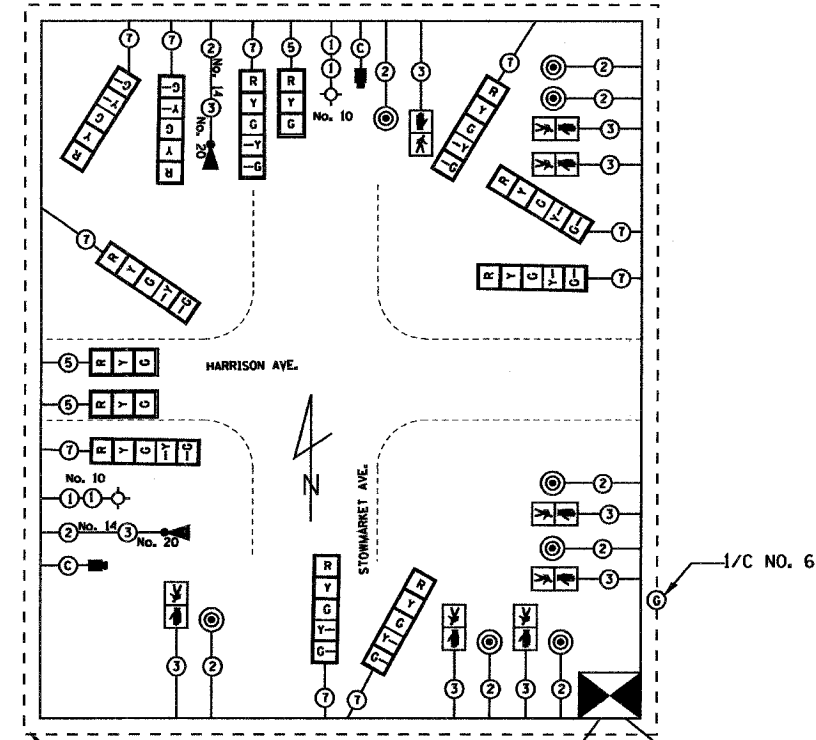


SECTION	COUNTY	TOTAL SHEETS	SHEET NO.
303 03-00520-00-WR	WINNEBAGO	254	186
STA. TO STA.			
FED. ROAD DIST. NO.		ILLINOIS FED. AID PROJECT	

WIRING DIAGRAM



PROPOSED EMERGENCY VEHICLE PREEMPTORS			
EMERGENCY VEHICLE PREEMPTOR	1	2	3
MOVEMENT	≡	≡	≡



GROUNDING CIRCUIT AS PER ST'D. 873001

- LEGEND**
- ③ NO. OF CONDUCTORS IN SIGNAL CABLE
 - | |
|---|
| R |
| Y |
| G |

 TRAFFIC SIGNAL HEAD W/BACKPLATE
 - ▶ EMERGENCY PREEMPT LIGHT DETECTOR AND CONFIRMATION BEACON
 - ⊙ PEDESTRIAN PUSH BUTTON
 - | |
|---|
| ↓ |
| ↑ |

 PEDESTRIAN SIGNAL HEAD
 - ⊕ LUMINAIRE, SODIUM VAPOR 250 W, HPS
 - No. 10

■

 VIDEO DETECTION CAMERA
 - ⊙ VIDEO SURVEILLANCE CAMERA