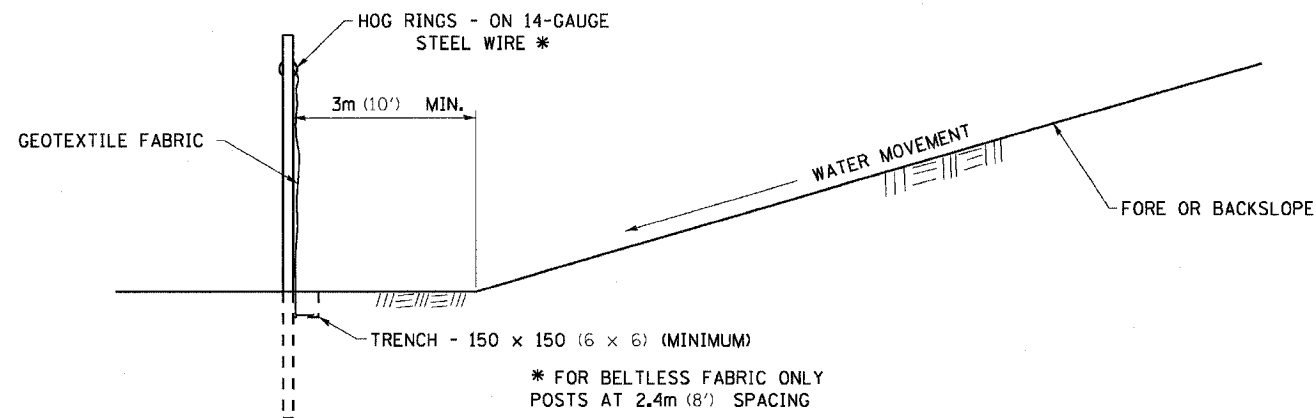
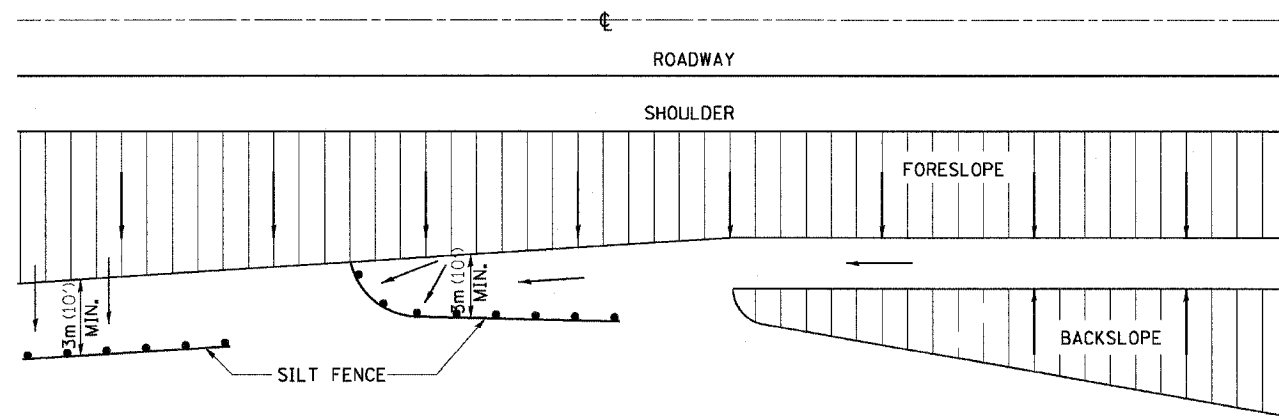


ROUTE	SECTION	COUNTY	TOTAL SHEETS	SHEET NO.
303	03-00520-00-WF	WINNEBAGO	254	196
STA. TO STA.				
FED. ROAD DIST. NO.		ILLINOIS	FED. AID PROJECT	

EROSION CONTROL DETAILS FOR SILT FENCE

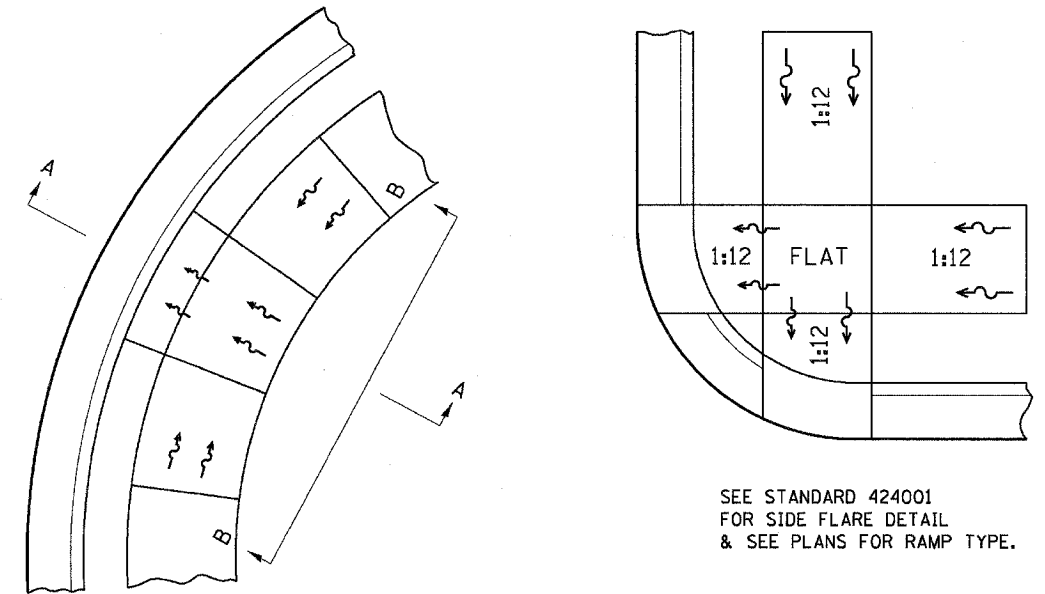


DETAILS OF SILT FENCE

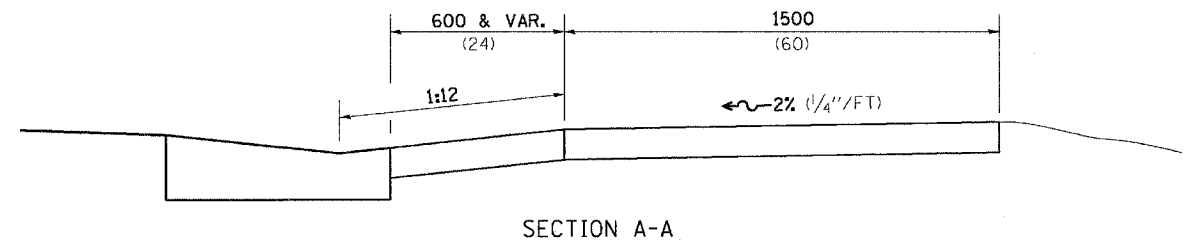
ALL DIMENSIONS ARE IN MILLIMETERS (INCHES) UNLESS OTHERWISE NOTED.

PLOT DATE = Wed Dec 15 15:00:21 2004
 FILE NAME = C:\projects\problems\025\standard\detail\29.2.dwg
 PLOT SCALE = 1/16" = 1' IN.
 REFERENCE = SHEET 29

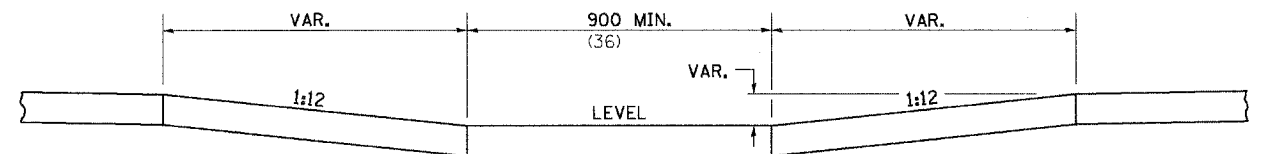
DISABLED RAMP DETAIL



ALL DIMENSIONS ARE IN MILLIMETERS (INCHES) UNLESS OTHERWISE NOTED.



SECTION A-A



SECTION B-B

NOTES : THIS DETAIL TO BE USED IN CONJUNCTION WITH STATE STANDARD 424001.
 THE MAXIMUM ALLOWABLE CROSS SLOPE FOR SIDEWALK IS 2% (1/4"/FT).
 THE MAXIMUM ALLOWABLE SIDEWALK GRADE IS 8% (2/3"/FT). IF SPACE LIMITATIONS PROHIBIT THE USE OF THE 1:12 SLOPE, THEN SLOPES BETWEEN 1:10 ARE 1:12 ARE PERMITTED FOR A MAXIMUM RISE OF 150 (6). SLOPES 1:8 AND 1:10 ARE ALLOWED FOR A MAXIMUM RISE OF 75 (3). SLOPES STEEPER THAN 1:8 ARE NOT PERMITTED.
 THE DEPRESSED CURB IS NOT STANDARD. THE RISE IS 13 (1/2) INSTEAD OF 40 (1 1/2) IN.

PLOT DATE = Wed Dec 15 15:00:21 2004
 FILE NAME = C:\projects\problems\025\standard\detail\60.2.dwg
 PLOT SCALE = 1/16" = 1' IN.
 REFERENCE = SHEET 60