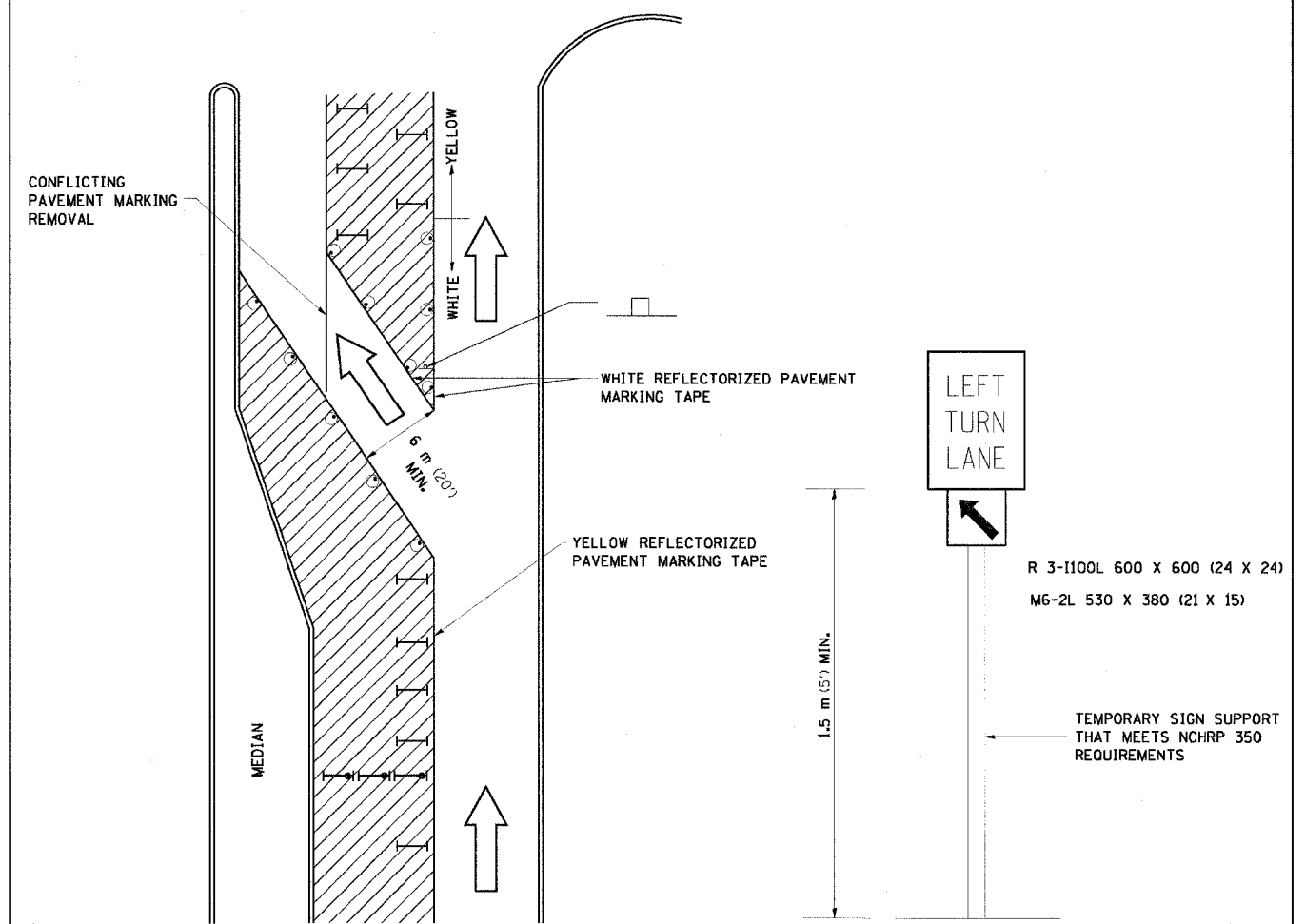


# TRAFFIC CONTROL AND PROTECTION AT TURN BAYS (TO REMAIN OPEN TO TRAFFIC)



### LEGEND

- WORK AREA
- LANE OPEN TO TRAFFIC
- TYPE I OR II BARRICADE OR DRUM WITH FLASHING BURNING LIGHT
- DRUM OR BARRICADE WITH STEADY BURN LIGHT
- SIGN (SEE DETAIL)
- TYPE I OR II CHECK BARRICADE WITH STEADY LIGHT BURN

### GENERAL NOTES

CONES MAY BE SUBSTITUTED FOR BARRICADES OR DRUMS AT HALF THE SPACING DURING DAY OPERATIONS. CONES SHALL BE A MINIMUM OF 710 (28") IN HEIGHT.

STEADY BURNING LIGHTS WILL NOT BE REQUIRED ON BARRICADES OR DRUMS FOR DAY OPERATIONS. ALL LIGHTS WILL BE MONODIRECTIONAL.

REFLECTORIZED TEMPORARY PAVEMENT MARKING TAPE SHALL BE PLACED THROUGHOUT THE BARRICADED AREA OF EACH BAY WHERE THE CLOSURE TIME IS GREATER THAN FOURTEEN DAYS.

THIS APPLICATION ALSO APPLIES WHEN WORK IS BEING PERFORMED IN THE RIGHT LANE(S) AND THE RIGHT TURN BAY IS TO REMAIN OPEN. UNDER THIS CONDITION, "RIGHT TURN LANE" R3-100 600 x 600 (24 x 24) AND M6-2R 530 x 380 (21 x 15) SHALL BE USED.

THESE CONTROLS SHALL SUPPLEMENT MAINLINE TRAFFIC CONTROL FOR LANE CLOSURES. LONGITUDINAL DIMENSIONS MAY BE ADJUSTED TO FIT FIELD CONDITIONS.

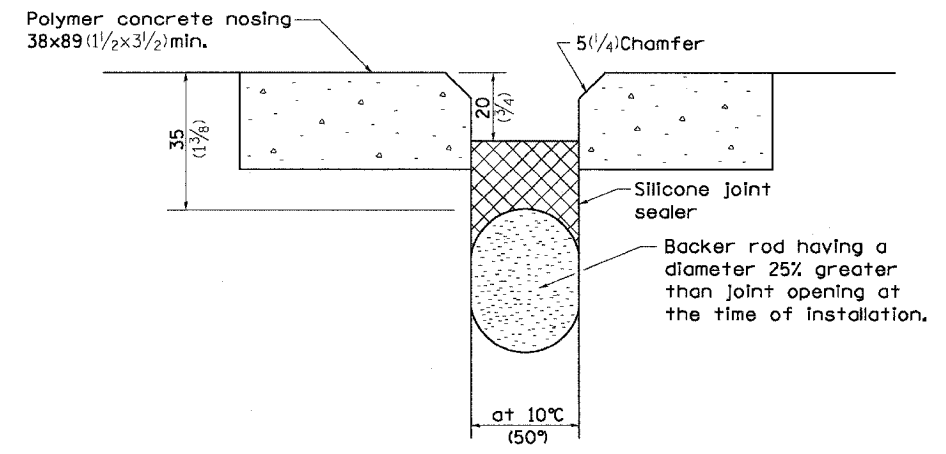
TRAFFIC CONTROL AND PROTECTION AT TURN BAYS (TO REMAIN OPEN TO TRAFFIC) SHALL BE INCLUDED IN THE COST SPECIFIED TRAFFIC CONTROL STANDARDS OR ITEMS.

ALL DIMENSIONS ARE IN MILLIMETERS (INCHES) UNLESS OTHERWISE NOTED.

PLOT DATE = Wed Dec 16 16:06:04 2004  
 FILE NAME = C:\pms\jstas\problems\025\standard\ca1  
 PLOT SCALE = 1/16" = 1'-0"  
 REFERENCE = #REF#

# SILICONE JOINT SEAL (CONCRETE DETAILS)

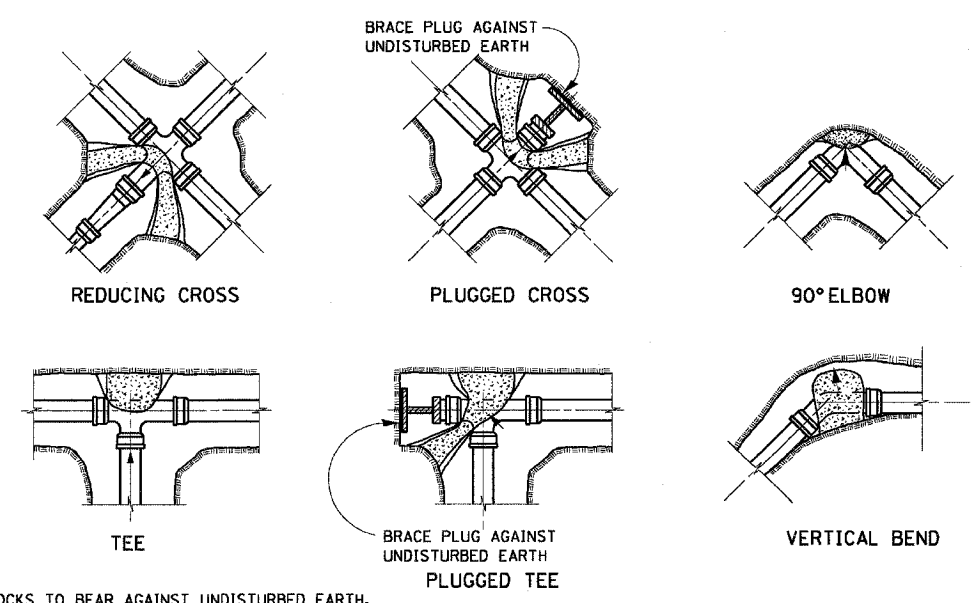
ROUTE	SECTION	COUNTY	TOTAL SHEETS	SHEET NO.
303	03-00520-00-WF	WINNEBAGO	254	197
STA. TO STA.		FED. ROAD DIST. NO. ILLINOIS FED. AID PROJECT		



ALL DIMENSIONS ARE IN MILLIMETERS (INCHES) UNLESS OTHERWISE NOTED.

PLOT DATE = Wed Dec 16 16:06:03 2004  
 FILE NAME = C:\pms\jstas\problems\025\standard\seal  
 PLOT SCALE = 1/16" = 1'-0"  
 REFERENCE = #REF#

# THRUST BLOCK DETAILS



NOTES:  
 ALL BLOCKS TO BEAR AGAINST UNDISTURBED EARTH.  
 ARROWS INDICATE DIRECTION OF THRUST.  
 ALL BLOCKS TO BE CLASS S1 CONCRETE.  
 ALL FITTINGS SHOWN IN PLAN EXCEPT VERTICAL BEND.

ALL DIMENSIONS ARE IN MILLIMETERS (INCHES) UNLESS OTHERWISE NOTED.

PLOT DATE = Wed Dec 16 16:06:42 2004  
 FILE NAME = C:\pms\jstas\problems\025\standard\ca1  
 PLOT SCALE = 1/16" = 1'-0"  
 REFERENCE = #REF#