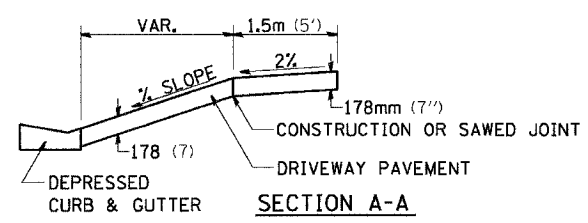
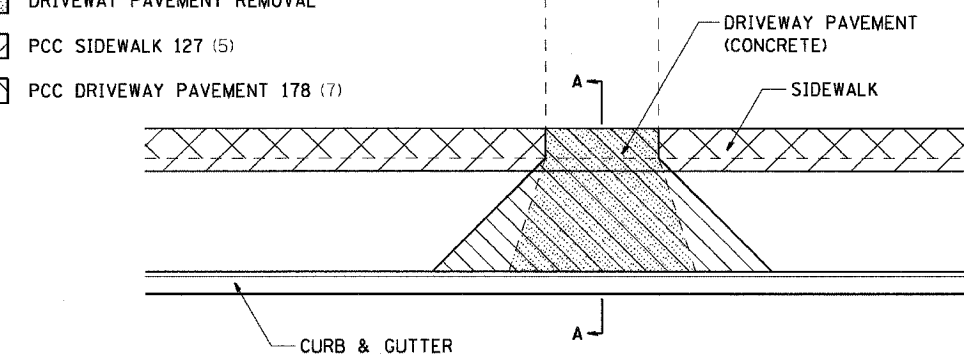


STA.	SECTION	COUNTY	TOTAL SHEETS	SHEET NO.
303	03-00520-00-WF	WINNEBAGO	254	198
TO STA.				
FED. ROAD DIST. NO. ILLINOIS FED. AID PROJECT				

# SIDEWALK AND DRIVEWAY PAVEMENT PAY AREAS

- PAY FOR AS
- SIDEWALK REMOVAL
  - DRIVEWAY PAVEMENT REMOVAL
  - PCC SIDEWALK 127 (5)
  - PCC DRIVEWAY PAVEMENT 178 (7)



FOR DETAILS ON DIMENSIONS AND GRADES, SEE DISTRICT STANDARD 25.1 OR PLANS.

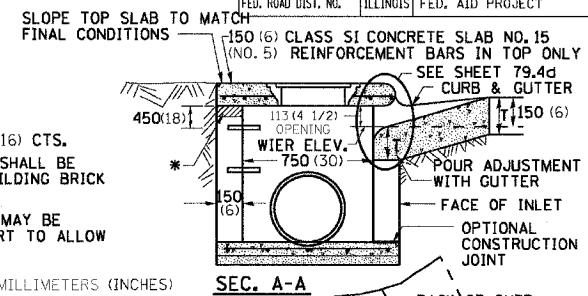
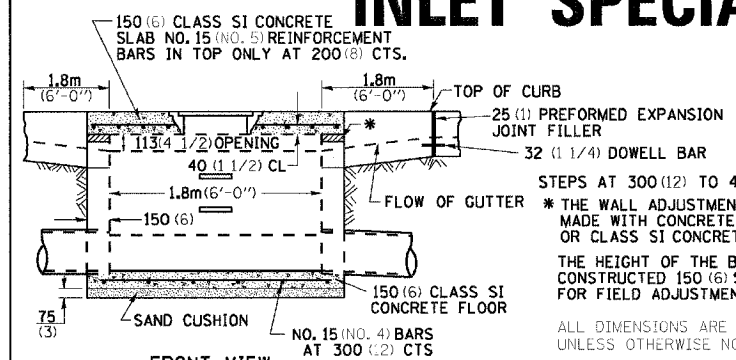
ALL DIMENSIONS ARE IN MILLIMETERS (INCHES) UNLESS OTHERWISE NOTED.

**SIDEWALK AND DRIVEWAY PAVEMENT PAY AREAS 35.4**

REVISED 10-15-04

PLOT DATE = Wed Dec 15 15:09:44 2004  
 FILE NAME = C:\projects\problems\025\standard\detail  
 REFERENCE = 486F

# INLET SPECIAL NO. 5



**FRONT VIEW NOTES**

SEE STANDARD 602701 FOR DETAILS OF STEPS.

25 (1) PREFORMED EXPANSION JOINTS AS SHOWN SHALL BE PROVIDED ON EACH SIDE OF INLET.

CLASS SI CONCRETE OR PRECAST CONCRETE SHALL BE USED THROUGHOUT.

THE SIDE WALLS MAY BE BUILT AS PRECAST SEGMENTAL SECTIONS.

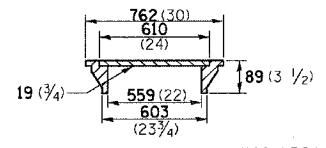
STEPS AT 300 (12) TO 400 (16) CTS.

\* THE WALL ADJUSTMENTS SHALL BE MADE WITH CONCRETE BUILDING BRICK OR CLASS SI CONCRETE.

THE HEIGHT OF THE BOX MAY BE CONSTRUCTED 150 (6) SHORT TO ALLOW FOR FIELD ADJUSTMENTS.

ALL DIMENSIONS ARE IN MILLIMETERS (INCHES) UNLESS OTHERWISE NOTED.

**LIGHT WEIGHT MANHOLE CASTING**



TOTAL WEIGHT 73 KG. (160 LBS.)

**NOTES**

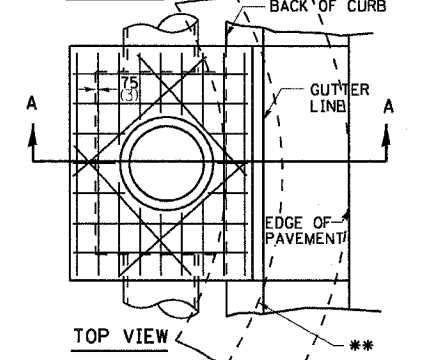
STEPS SHALL BE OMITTED WHEN DEPTH OF INLET IS LESS THAN 1.5 m (5 ft.).

THE INLET SHALL BE CAST IN PLACE OR PRECAST.

EXCEPT AS NOTED HEREON INLET SPECIAL NO. 5 SHALL INCLUDE THE COST OF FURNISHING AND INSTALLING THE FRAME, LID, REINFORCEMENT BARS, FLOOR AND TOP SLABS, CAST IRON STEPS (IF USED).

THE CURB AND GUTTER WILL BE PAID FOR SEPARATELY AND WILL BE MEASURED THROUGH THE INLET.

THE CURB AND GUTTER ADJACENT TO AND 1.8m (6 FT) ON EITHER SIDE OF THE INLET SHALL BE CONSTRUCTED AS SHOWN WITH NO ADDITIONAL COMPENSATION FOR THE TRANSITION.

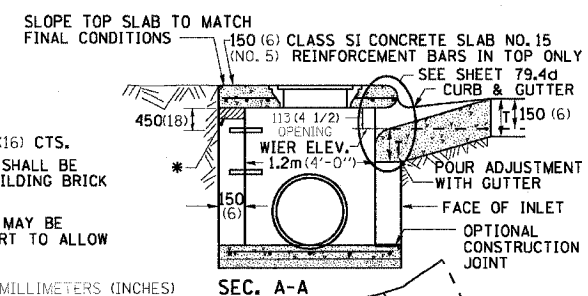
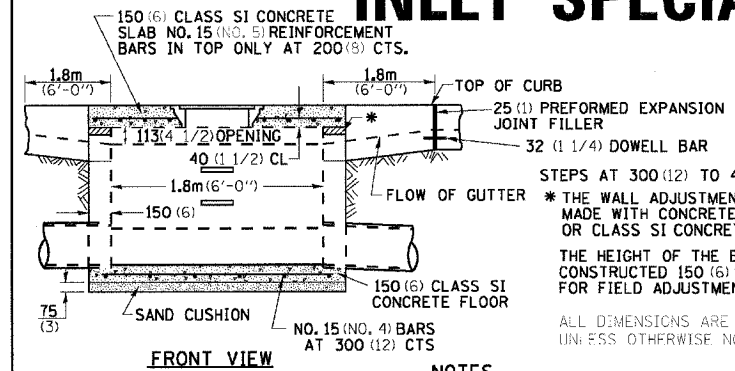


**INLET SPECIAL NO. 5 79.4b**

REVISED 11-10-94

PLOT DATE = Wed Dec 15 15:09:44 2004  
 FILE NAME = C:\projects\problems\025\standard\detail  
 REFERENCE = 486F

# INLET SPECIAL NO. 3



**NOTES**

SEE STANDARD 602701 FOR DETAILS OF STEPS.

25 (1) PREFORMED EXPANSION JOINTS AS SHOWN SHALL BE PROVIDED ON EACH SIDE OF INLET.

CLASS SI CONCRETE OR PRECAST CONCRETE SHALL BE USED THROUGHOUT.

THE SIDE WALLS MAY BE BUILT AS PRECAST SEGMENTAL SECTIONS.

STEPS SHALL BE OMITTED WHEN DEPTH OF INLET IS LESS THAN 1.5 m (5 ft.).

THE INLET SHALL BE CAST IN PLACE OR PRECAST.

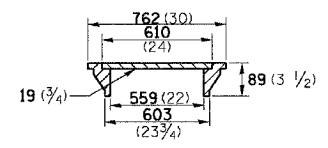
EXCEPT AS NOTED HEREON INLET SPECIAL NO. 3 SHALL BE CONSTRUCTED IN ACCORDANCE WITH SECTION 602 OF THE STANDARD SPECIFICATIONS.

THE CONTRACT UNIT PRICE EACH FOR INLET SPECIAL NO. 3 SHALL INCLUDE THE COST OF FURNISHING AND INSTALLING THE FRAME, LID, REINFORCEMENT BARS, FLOOR AND TOP SLABS, CAST IRON STEPS (IF USED).

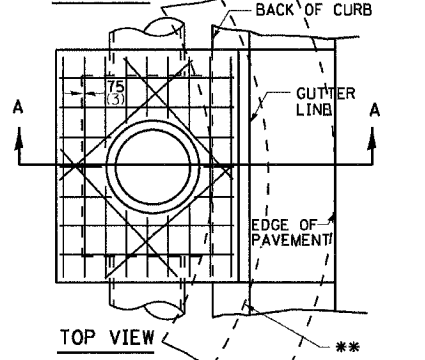
THE CURB AND GUTTER WILL BE PAID FOR SEPARATELY AND WILL BE MEASURED THROUGH THE INLET.

THE CURB AND GUTTER ADJACENT TO AND 1.8m (6 FT) ON EITHER SIDE OF THE INLET SHALL BE CONSTRUCTED AS SHOWN WITH NO ADDITIONAL COMPENSATION FOR THE TRANSITION.

**LIGHT WEIGHT MANHOLE CASTING**



TOTAL WEIGHT 73 KG. (160 LBS.)

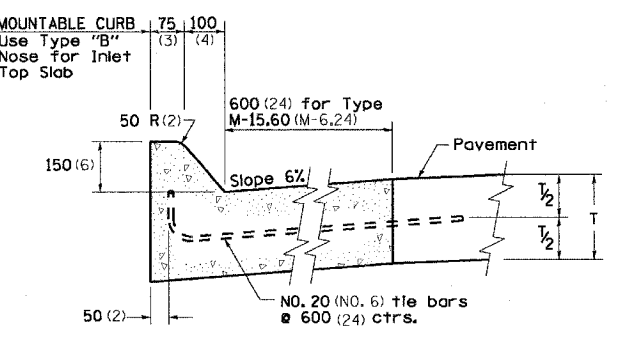
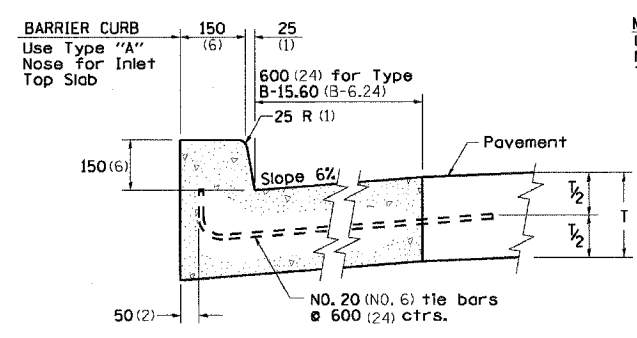


**INLET SPECIAL NO. 3 79.4**

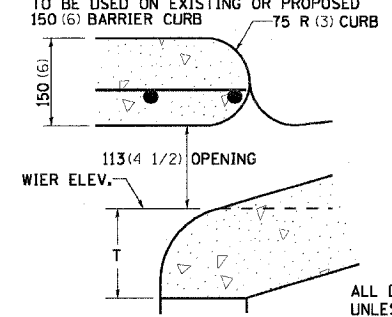
REVISED 11-10-94

PLOT DATE = Wed Dec 15 15:09:44 2004  
 FILE NAME = C:\projects\problems\025\standard\detail  
 REFERENCE = 486F

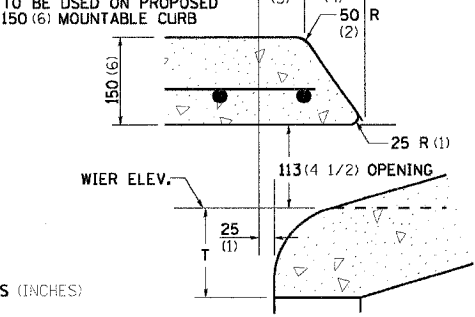
# NOSE TYPE FOR INLET TOP SLAB



**TYPE "A"**



**TYPE "B"**



ALL DIMENSIONS ARE IN MILLIMETERS (INCHES) UNLESS OTHERWISE NOTED.

**NOSE TYPE FOR INLET TOP SLAB 79.4d**

REVISED 2-14-95

PLOT DATE = Wed Dec 15 15:09:44 2004  
 FILE NAME = C:\projects\problems\025\standard\detail  
 REFERENCE = 486F