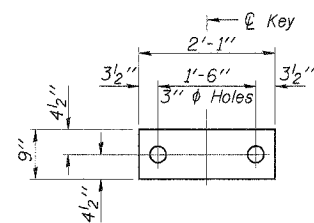
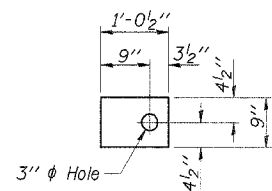


ROUTE NO.	SECTION	COUNTY	TOTAL SHEETS	SHEET NO.
T.R. 227	94-24122-00-BR	IROQUOIS	15	5
ROAD DIST.	ILLINOIS		RIDGELAND	

CONTRACT NO. 87298

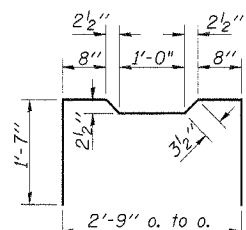


FABRIC BEARING PAD
(Interior)
(16 Req'd)

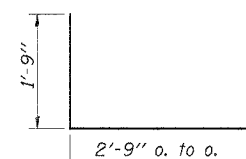


FABRIC BEARING PAD
(Exterior)
(8 Req'd)

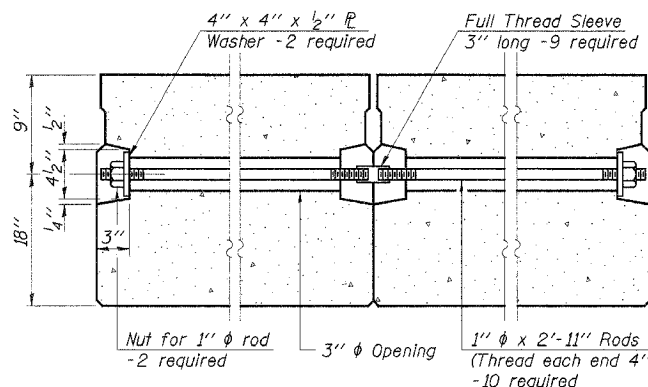
FIXED



BAR A1

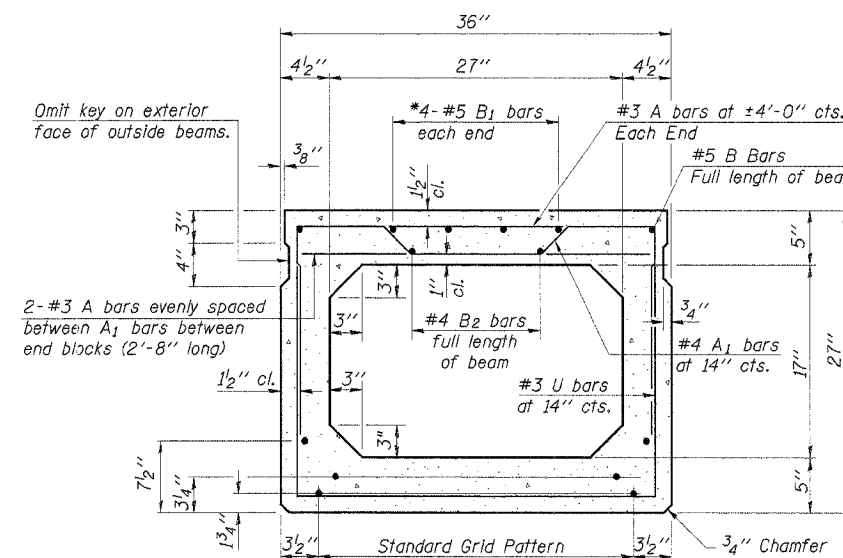


BARS U & U1



TYPICAL TRANSVERSE TIE ASSEMBLY

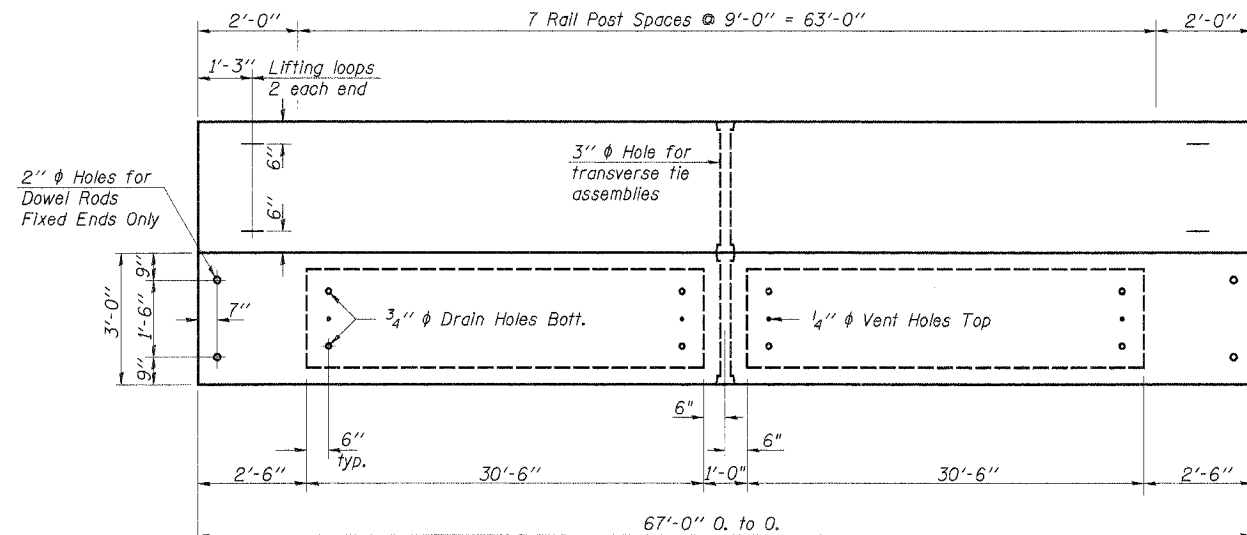
*0.2 x Length of beam (13'-4")



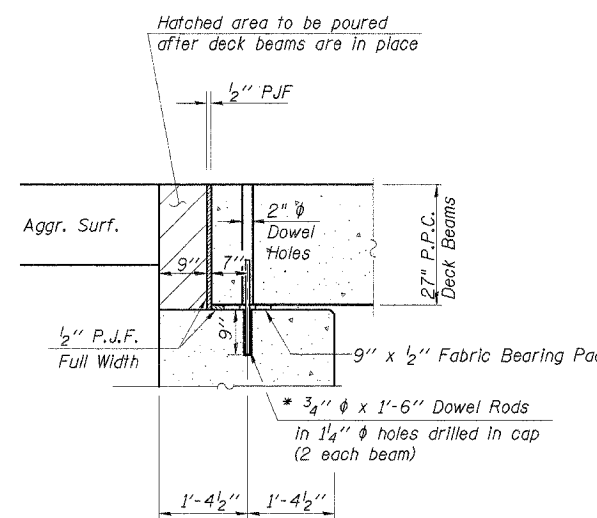
TYPICAL SECTION

15- 1/2" ϕ Strands Each Strand Stressed to 30,900 Lbs.
7 - Strands 1 3/4" up, 6 - Strands 3/4" up, 2 - Strands 7/8" up

Note:
Place strands symmetrically about ϕ of beam.

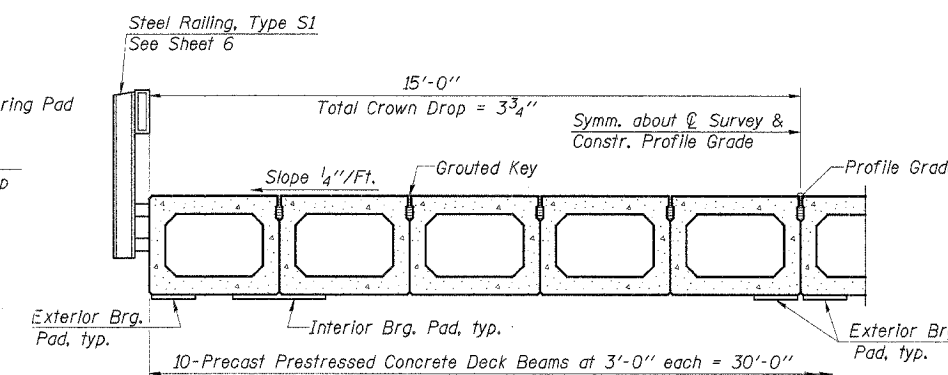


PLAN

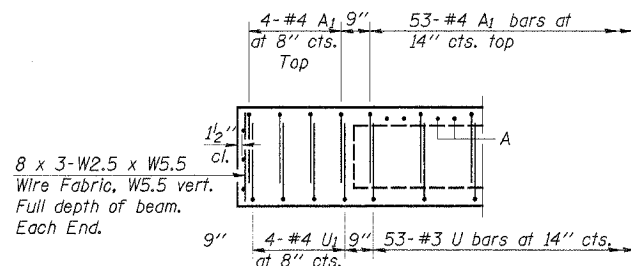


SEC. THRU ABUT.

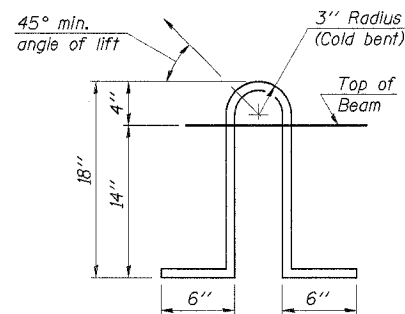
*Dowel Rods to be grouted after beams are in place and allowed to cure (Min. 24 hrs.) prior to grouting the shear keys.



HALF CROSS SECTION



END ELEVATION



LIFTING LOOP DETAIL

NOTES

Prestressing steel shall be uncoated high strength, low relaxation 7-wire strand, Grade 270. The nominal diameter shall be 1/2" and the nominal cross-sectional area shall be 0.153 sq. in. Lifting loops shall be 3-1/2" ϕ 270 ksi strands, as shown. The 1" ϕ rods in the transverse tie assembly shall be tightened to a snug fit and the threads set. Pockets that receive transverse tie bar on outside shall be filled with grout after transverse tie assembly is in place. Non prestressing steel shall conform to AASHTO M-31, M-42 or M-53 Grade 60. The bearing seat surfaces shall be adjusted by shimming to assure firm and even bearing. Two 1/8" fabric adjusting shims of the dimensions of the Exterior Bearing Pad shall be provided for each bearing. Keyway surfaces shall be cleaned to remove form oil or other bond breaking material prior to shipment of the beams. Cleaning shall be done by sandblasting the keyway areas between top of the beam and the bottom edge of the key. Corrosion Inhibitor, as covered in the Special Provisions, shall be used in the concrete for precast prestressed concrete deck beams. Required Release Strength, f'_{ci} , shall be 4,000 p.s.i.

BILL OF MATERIAL

Item	Unit	Quantity
Precast Prestressed Concrete Deck Beams (27" Depth)	Sq. Ft.	2010

Estimated Total Weight (One Beam) = 40,800 Pounds

SUPERSTRUCTURE

SECTION 94-24122-00-BR
RIDGELAND ROAD DISTRICT
IROQUOIS COUNTY
STA. 15+03

4440 ASH GROVE
SPRINGFIELD, IL 62711
(217) 793-6800
casinc@famvid.com

OZYURT AND STONE, INC.
CONSULTING ENGINEERS

JOB NO.: 0405
FILE: 27x365.dgn
DATE: 10-07-04

DESIGNED	S.F.M.
CHECKED	F.J.S.
DRAWN	S.A.P. & J.P.S.
CHECKED	S.F.M.

PD-5-S 9-1-03