

ROUTE NO.	SECTION	COUNTY	TOTAL SHEETS	SHEET NO.
T.R. 227	94-24122-00-BR	IROQUOIS	15	6
ROAD DIST.	ILLINOIS	RIDGELAND		

CONTRACT NO. 87298

**NOTES**

Hollow structural steel tubing shall conform to the requirements of ASTM designation A-500 Grade B Structural Steel Tubing and shall meet the longitudinal CVN requirements of 15 Ft.-Lbs. at 0°F.

All other steel shapes and plates shall conform to the requirements of AASHTO M-270, Grade 36 except posts and angles shall conform to AASHTO M-270, Grade 50.

Bolts, cap screws, and nuts shall conform to the requirement of ASTM designation A-307 except for high strength bolts, nuts and washers noted which shall conform to AASHTO M-164.

All bolts, nuts, cap screws, washers and lock washers shall be galvanized in accordance with AASHTO M-232.

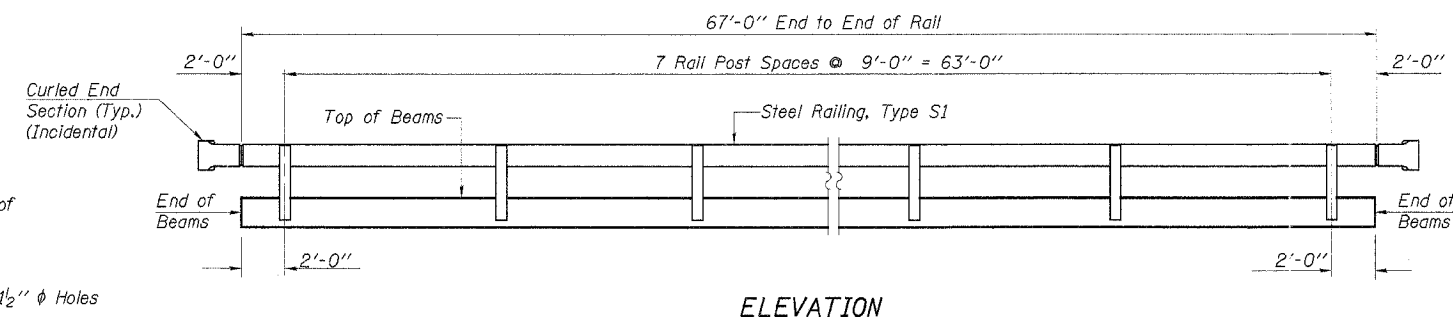
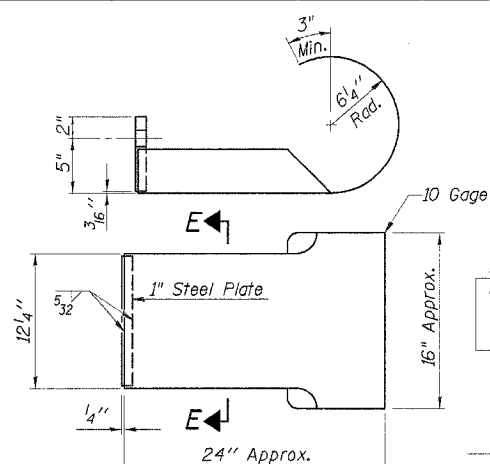
All posts, railing, rail splices, anchor devices, angles and spacers shall be galvanized after shop fabrication in accordance with AASHTO M-111 and ASTM A-385. Galvanized rail shall not be painted.

Railing shall be in accordance with Section 509 of the Standard Specifications, except as noted, and will be paid for at the contract unit price per foot for STEEL RAILING, TYPE S1.

All field drilled holes shall be coated with an approved zinc rich paint before erection.

The lower plate of the post spacer in contact with concrete shall receive two coats of asphalt paint conforming to Section 1060.07 Type II or place 1/8" fabric bearing pad between the post spacer and concrete.

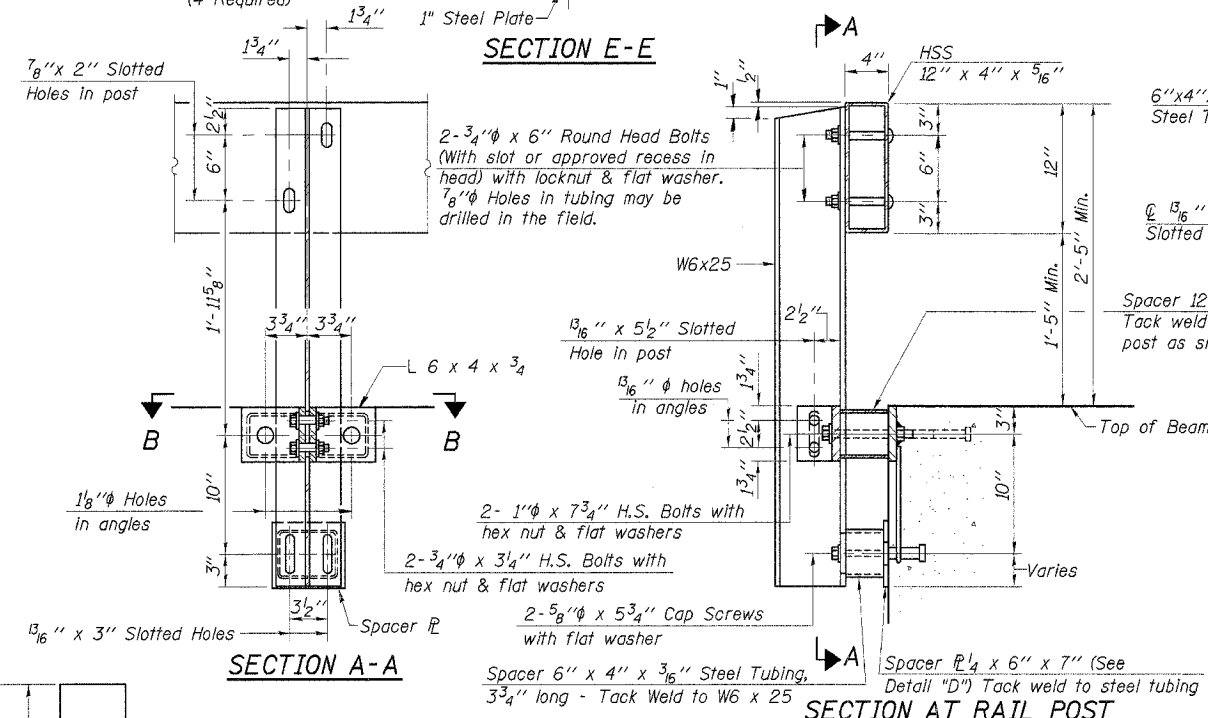
The 3/4" high strength bolts used to connect the 6 x 4 x 3/4 angles to the post shall be tightened in accordance with Article 505.04(FX2) of the Standard Specifications. The 1" high strength bolts connecting the angles to the concrete shall be tightened to a snug fit and given an additional 1/2 turn. The 5/8" cap screws in bottom of posts shall be tightened to a snug fit only.



**ELEVATION**

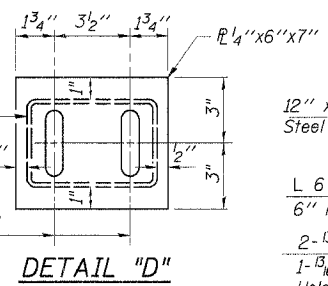
**CURLLED END SECTION DETAILS**  
(4 Required)

**SECTION E-E**

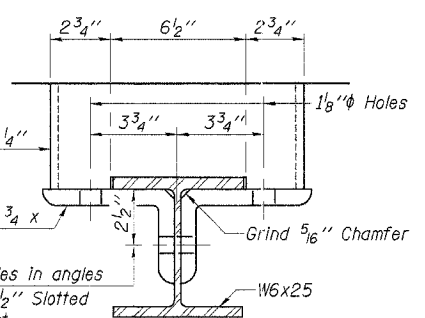


**SECTION A-A**

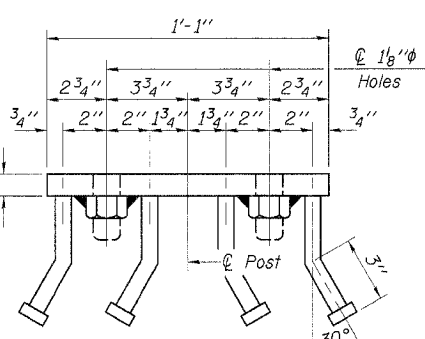
**SECTION AT RAIL POST**



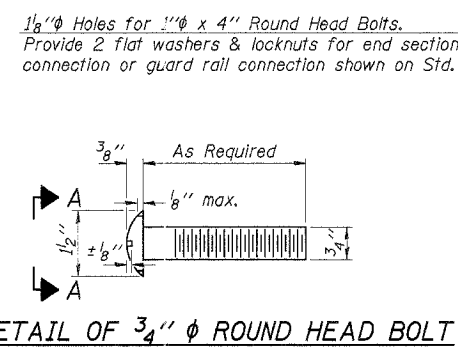
**DETAIL "D"**



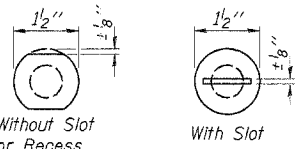
**SECTION B-B**



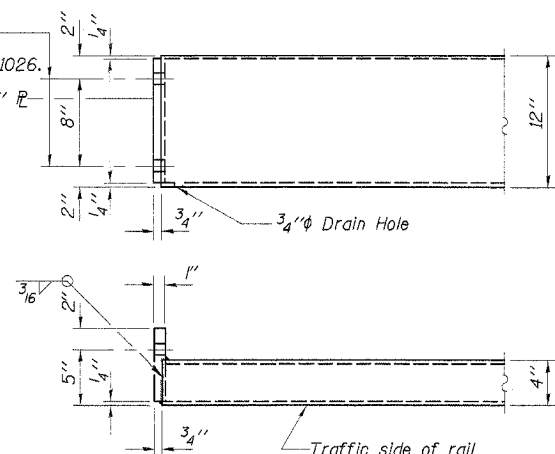
**VIEW C-C**



**DETAIL OF 3/4" ROUND HEAD BOLT**



**VIEW A-A**



**END OF RAIL DETAILS**

**BILL OF MATERIAL**

Item	Unit	Quantity
Steel Railing, Type S1	Foot	134

**STEEL RAILING, TYPE S1**

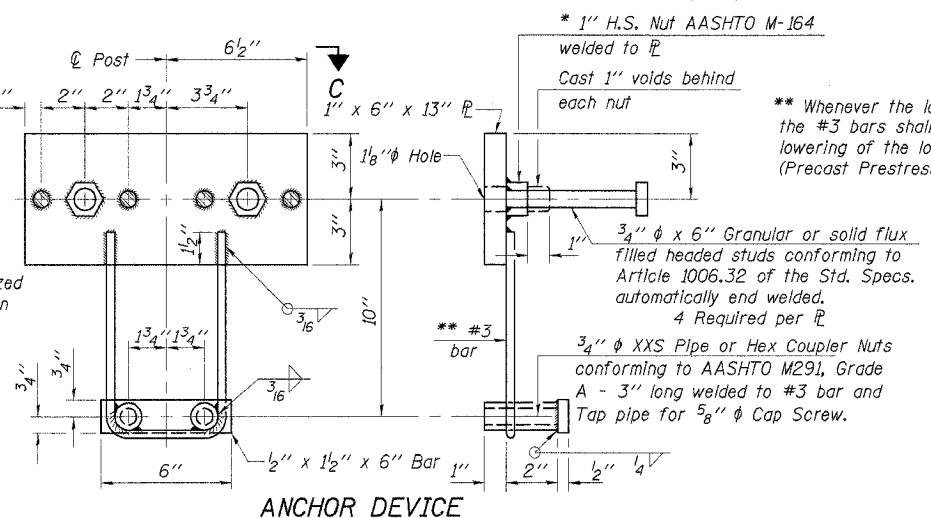
SECTION 94-24122-00-BR  
RIDGELAND ROAD DISTRICT  
IROQUOIS COUNTY  
STA. 15+03

4440 ASH GROVE SPRINGFIELD, IL 62711 (217) 793-8600 oasinc@tamvid.com	<b>OZYURT AND STONE, INC.</b> CONSULTING ENGINEERS	JOB NO.: 0405 FILE: RAIL_SI-S.DGN DATE: 10-07-04
--	---	--

**1/4" SHIM PLATE**

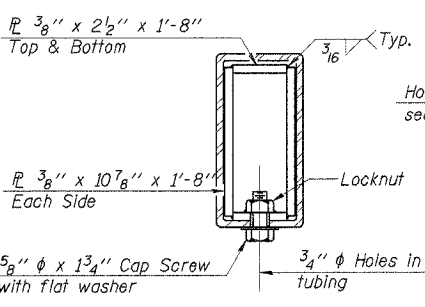
Note: For multi-span bridges, sufficient 1/4" x 6" x 1'-4" galvanized steel shims shall be provided to align rail between adjacent spans. Cost incidental to Steel Railing.

DESIGNED	S.F.M.
CHECKED	F.J.S.
DRAWN	S.A.P. & J.P.S.
CHECKED	S.F.M.

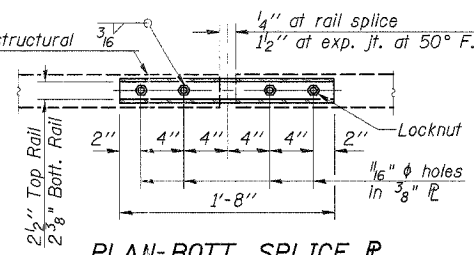


**ANCHOR DEVICE**

\* Threaded areas shall be plugged or blocked off during casting of beam.



**SECTIONS AT RAIL SPLICE**



**PLAN-BOTT. SPLICE TYPICAL**