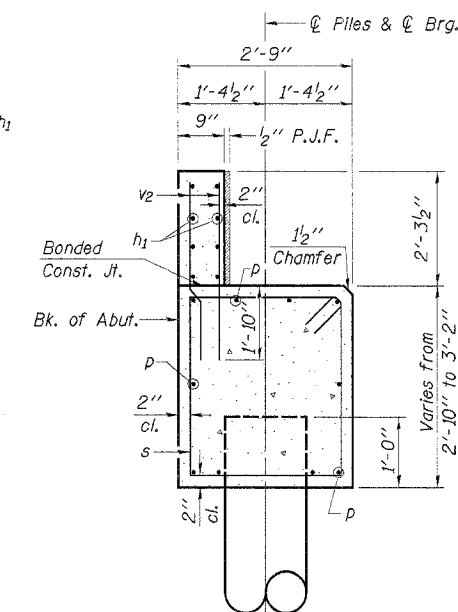
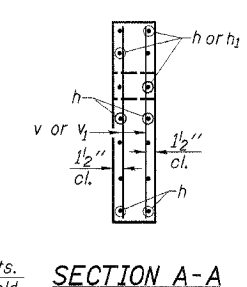
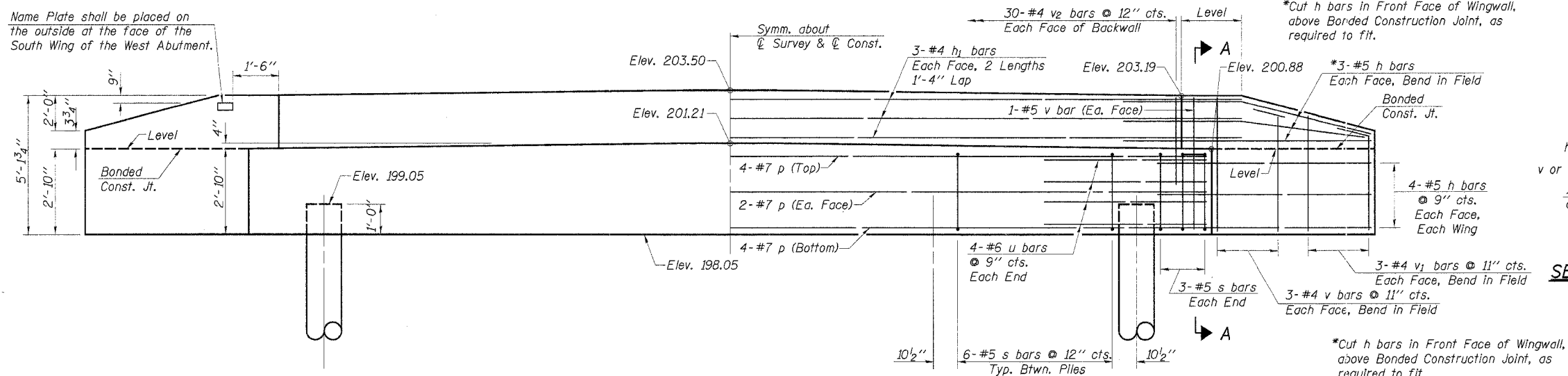


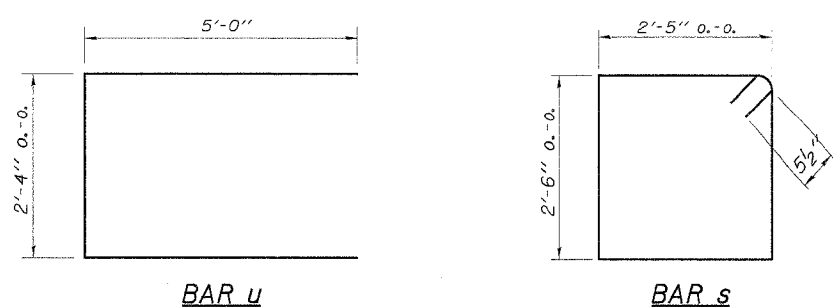
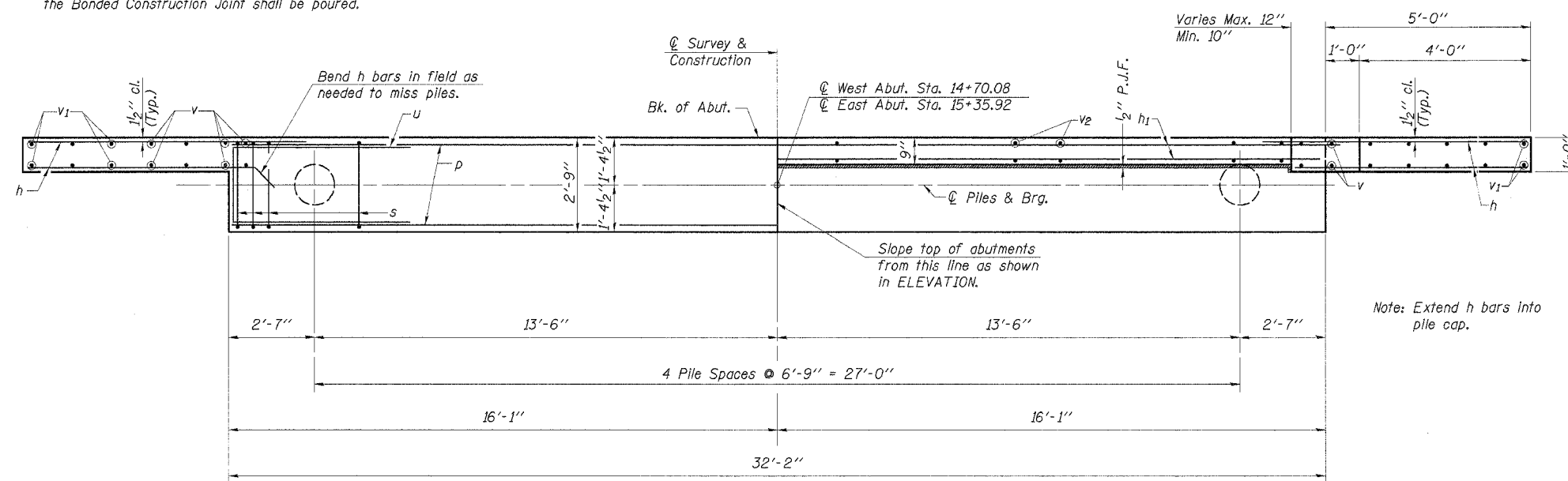
ROUTE NO.	SECTION	COUNTY	TOTAL SHEETS	SHEET NO.
T.R. 227	94-24122-00-BR	IROQUOIS	15	7
ROAD DIST.	ILLINOIS		RIDGELAND	

CONTRACT NO. 87298

Name Plate shall be placed on the outside at the face of the South Wing of the West Abutment.



Note: After beams are in place and dowel rods grouted, the backwall and the portions of the wingwalls above the Bonded Construction Joint shall be poured.



PILE DATA

Type..... Metal Pile Shells

No. Req'd. (2 Abuts.)..... **10

Capacity..... 45 Tons/Pile

Est. Length..... 50 Feet/Pile

**Includes 1 Test Pile to be driven in a permanent location at each Abutment.

2 ABUTMENTS BILL OF MATERIAL

Bar	No.	Size	Length	Shape
h	56	#5	6'-3"	—
h ₁	24	#4	17'-6"	—
p	20	#7	31'-10"	—
s	60	#5	10'-9"	□
u	16	#6	12'-4"	—
v	32	#4	4'-10"	—
v ₁	24	#4	3'-9"	—
v ₂	120	#4	3'-11"	—
Concrete Structures	Cu. Yd.	26.8		
Reinforcement Bars	Pound	3400		
Name Plates	Each	1		
Test Pile Metal Shells	Each	2		
Metal Pile Shells 12"	Foot	400		

See Sheet 8 for Pile Details

DESIGNED	S.F.M.
CHECKED	F.J.S.
DRAWN	S.A.P. & J.P.S.
CHECKED	S.F.M.

ABUTMENTS

SECTION 94-24122-00-BR
RIDGELAND ROAD DISTRICT
IROQUOIS COUNTY
STA. 15+03

4440 ASH GROVE
SPRINGFIELD, IL 62711
(217) 793-8690
oasinc@famvid.com

OZYURT AND STONE, INC.
CONSULTING ENGINEERS

JOB NO.: 0405
FILE: ABUT-0-BW.DGN
DATE: 10-07-04