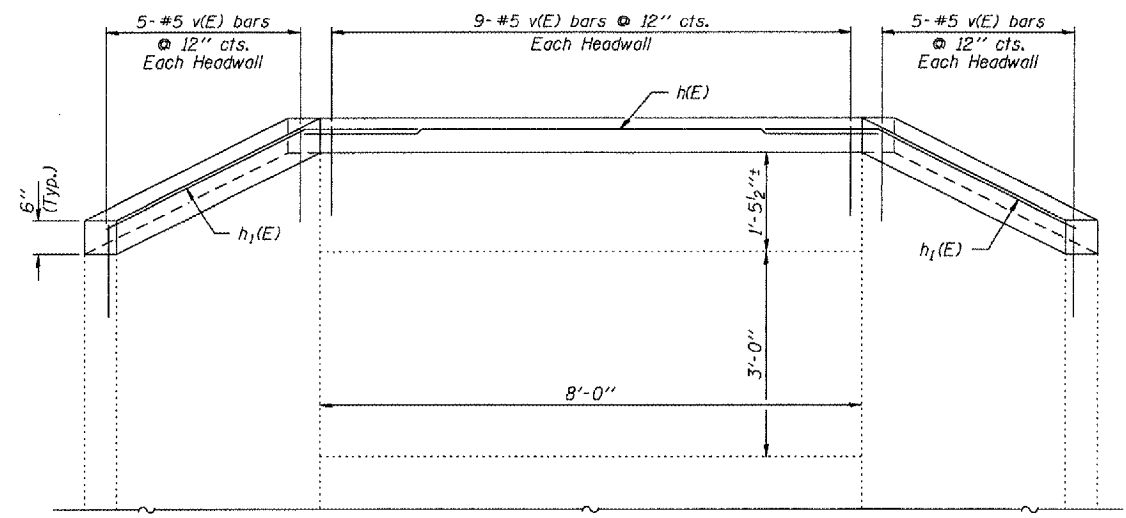


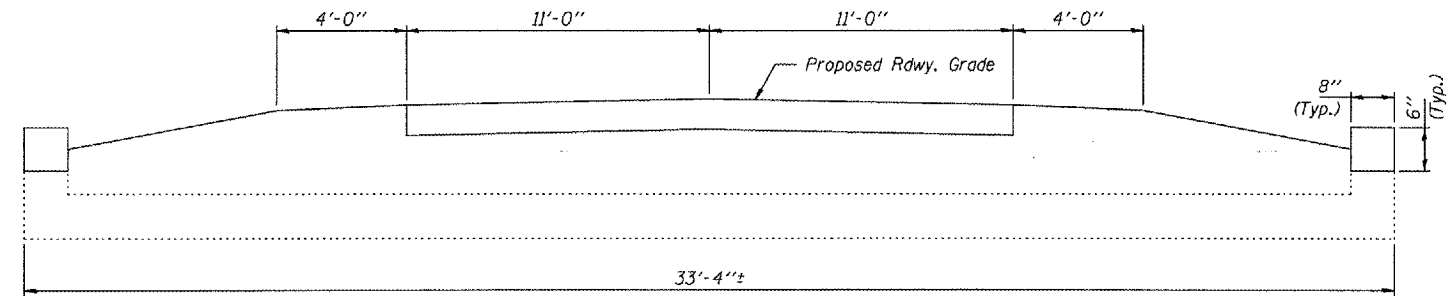
ROUTE NO.	SECTION	COUNTY	TOTAL SHEETS	SHEET NO.
343	01-00025-04-RS	LIVINGSTON	12	3

PROJECT NO. SR-343(108)

NOT PLOTTED TO SCALE



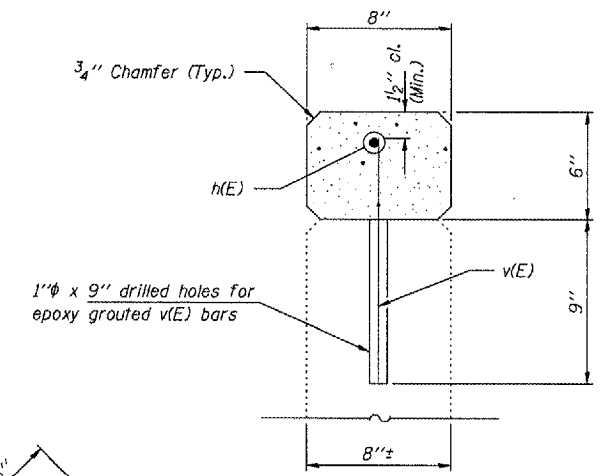
ELEVATION



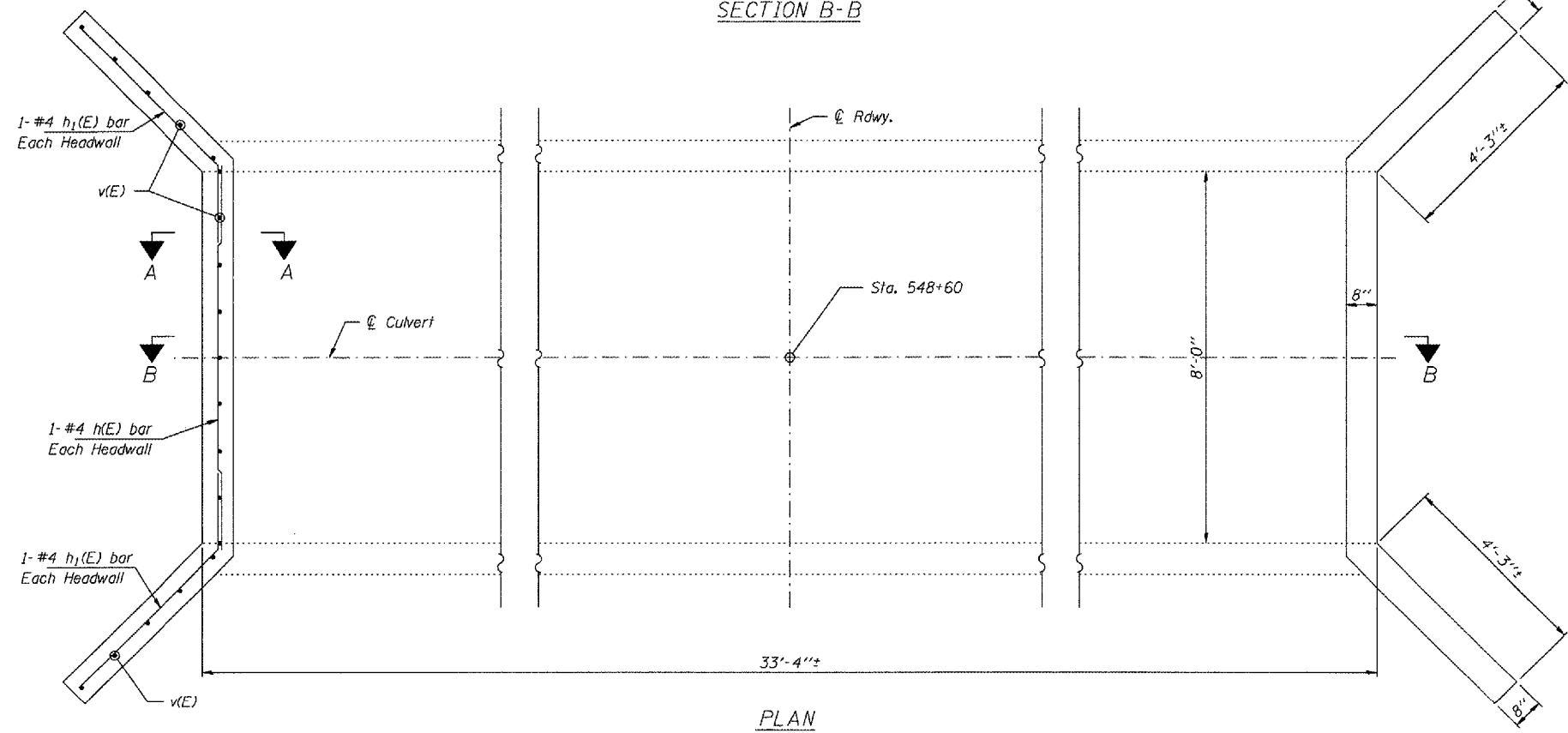
SECTION B-B

NOTES

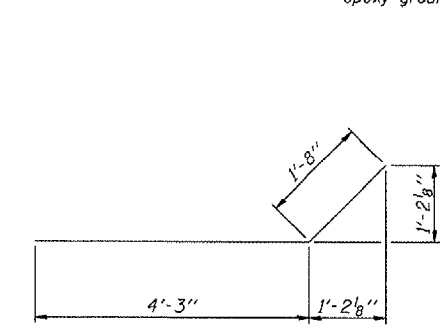
Epoxy Grout v(E) bars in to drilled 1"φ x 9" holes in headwall.
 The epoxy grout and method of application shall be in accordance with Section 584 of the Standard Specifications and approved by the Engineer.
 The cost of drilling and epoxy grouting the v(E) bars shall be included in Reinforcement Bars, Epoxy Coated.
 Reinforcement bars shall conform to the requirements AASHTO M-31 or M-322, Grade 60.
 All reinforcement bars shall be epoxy coated.
 Plan dimensions and details relative to existing structure have been taken from existing plans and are subject to nominal construction variations. It shall be the Contractor's responsibility to verify such dimensions and details in the field and make necessary approved adjustments prior to construction or ordering of materials. Such variations shall not be cause for additional compensation or a change in the scope of the work, however, the Contractor will be paid for the quantity actually furnished at the unit price bid for the work.
 Guardrail shall be attached in accordance with Standard 630.101.



SECTION A-A



PLAN



BAR h₁(E)*

* h₁(E) bars shall be bent in the field to match the existing wingwall slope.

BILL OF MATERIAL

BAR	NO.	SIZE	LENGTH	SHAPE
h(E)	2	#4	8'-6"	—
h ₁ (E)	4	#4	5'-11"	—
v(E)	38	#5	1'-1"	—
Concrete Structures			Cu. Yd.	0.4
Reinf. Bars, Epoxy Coated			Pound	70

HLR
 Rice, Berry and Associates
 A Division of Hampton, Lenzini and Renwick, Inc.
 Civil & Structural Engineers
 801 S. Durkin Drive
 Springfield, Illinois 62704
 217-546-3400
 P.O. Box 1036
 DuQuoin, Illinois 62832
 618-790-4637
 Account Number 12-56-0027-1
 Date: 06/13/05
 DESIGNED: S.M.S. CHECKED: S.W.M. DRAWN: D.B.

GENERAL PLAN AND ELEVATION
 Loc. 1 - Str. # 3793
 LIVINGSTON COUNTY
 STATION 548+60