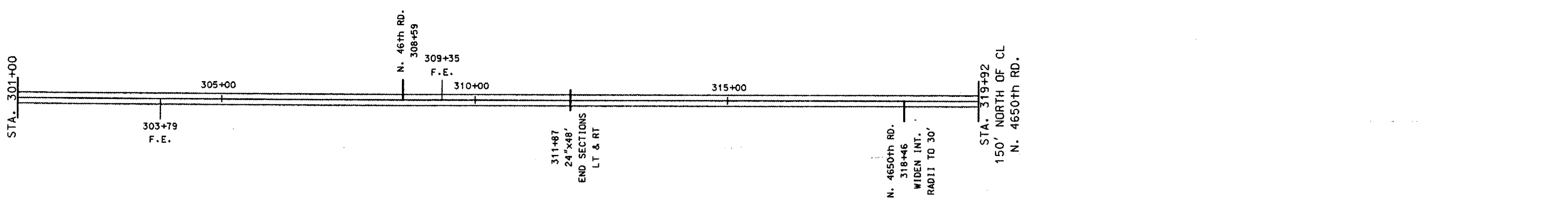
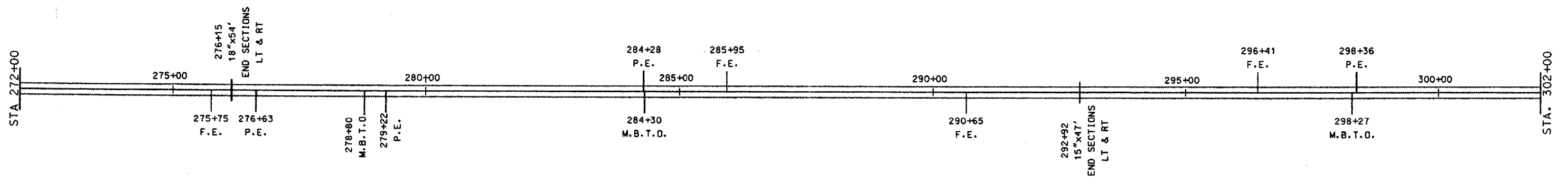
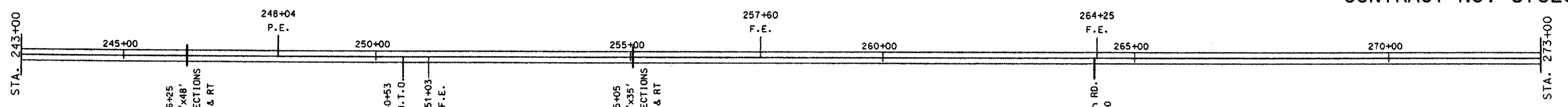
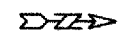
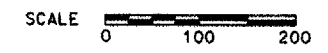


COUNTY	SECTION	HWY.NO.	SHEET NO.
LASALLE	05-00237-01-RS	CH 3	6 of 7

CONTRACT NO. 87320



PLAN SHEET STA. 243+00 TO STA. 319+92