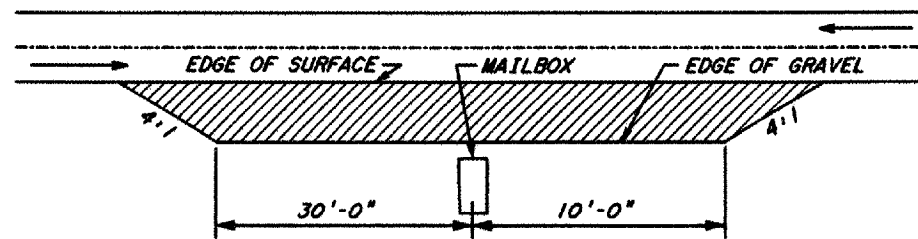
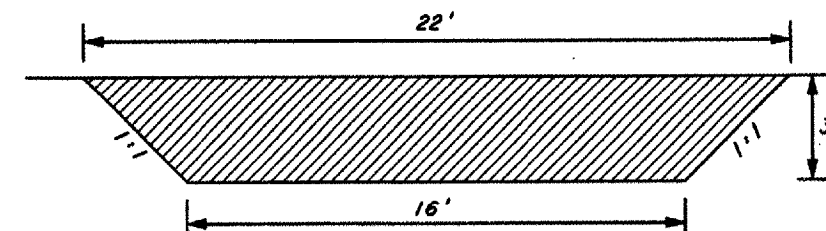


COUNTY	SECTION	HWY. NO.	SHEET NO.
LASALLE	05-00237-01-RS	CH 3	7 of 7

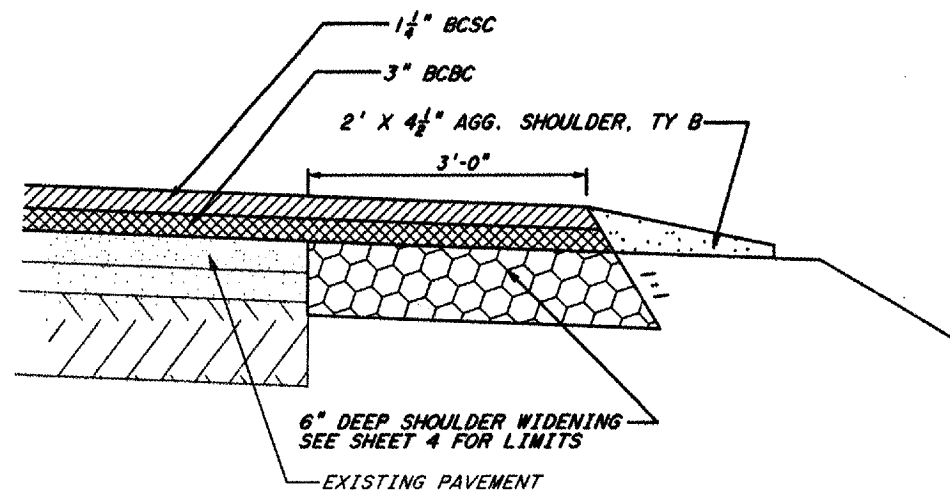
CONTRACT NO. 87320



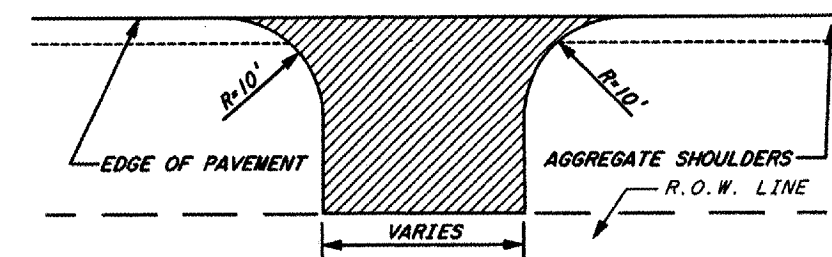
TYPICAL MAILBOX TURNOUT



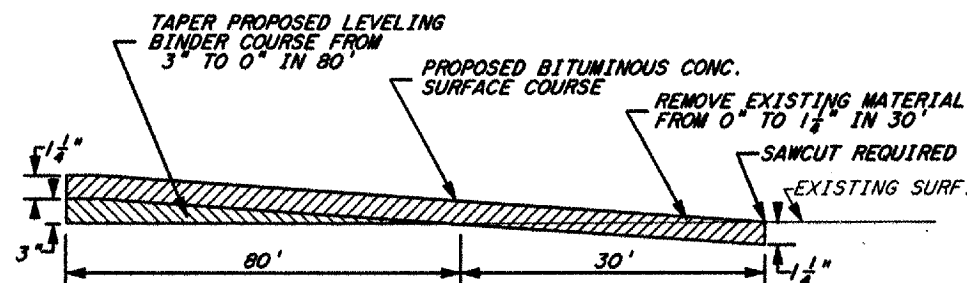
TYPICAL FIELD ENTRANCE



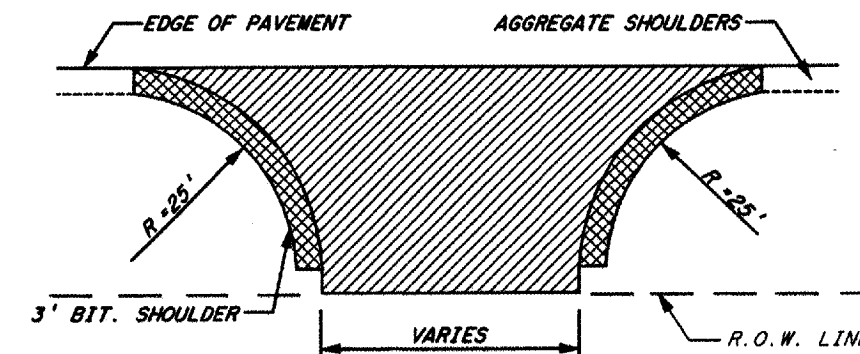
SHOULDER WIDENING DETAIL



TYPICAL PRIVATE ENTRANCE



TAPER DETAIL



TYPICAL INTERSECTION

NOTE: THE EXISTING SHOULDERS TO BE PAVED SHALL BE SHAPED, COMPACTED AND PRIMED TO THE SATISFACTION OF THE ENGINEER. THE SHOULDERS SHALL BE PAVED WITH BITUMINOUS CONCRETE SURFACE COURSE TO THE WIDTH AND THICKNESS DESIGNATED BY THE ENGINEER. PAVED SHOULDERS SHALL BE PAID FOR AT THE CONTRACT UNIT PRICE PER TON FOR BITUMINOUS CONCRETE SURFACE COURSE.