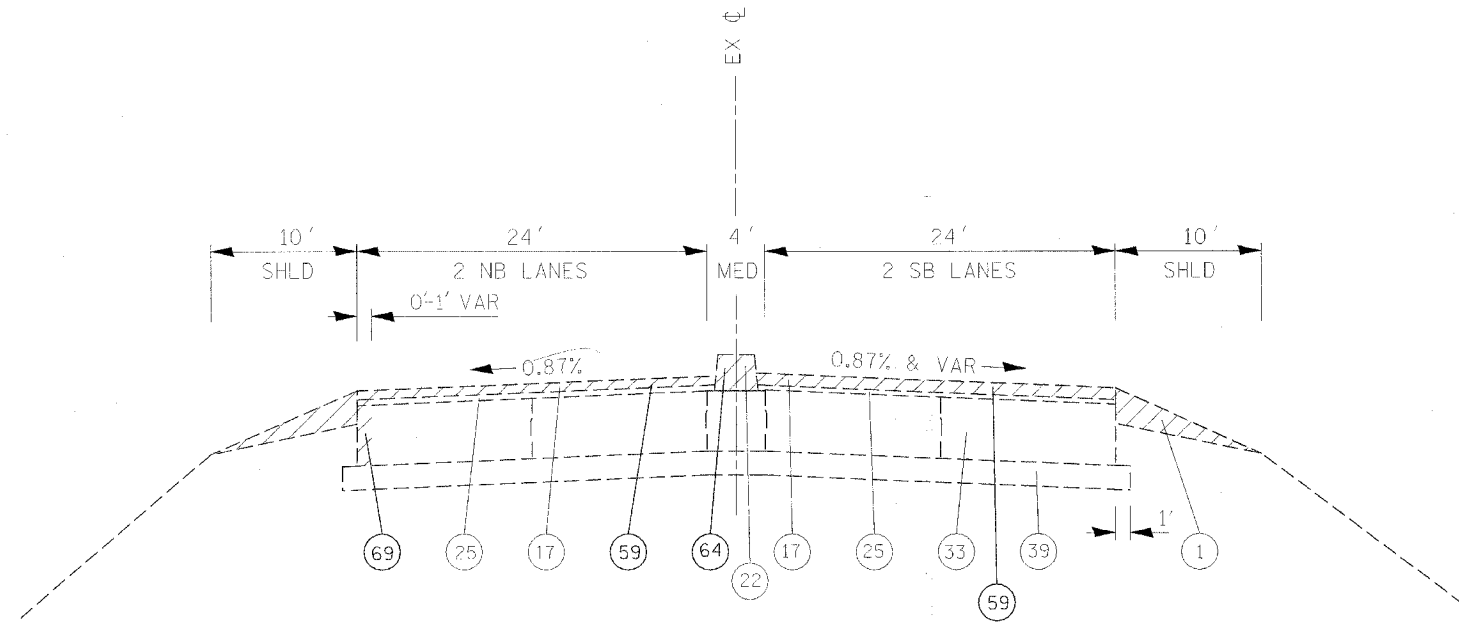
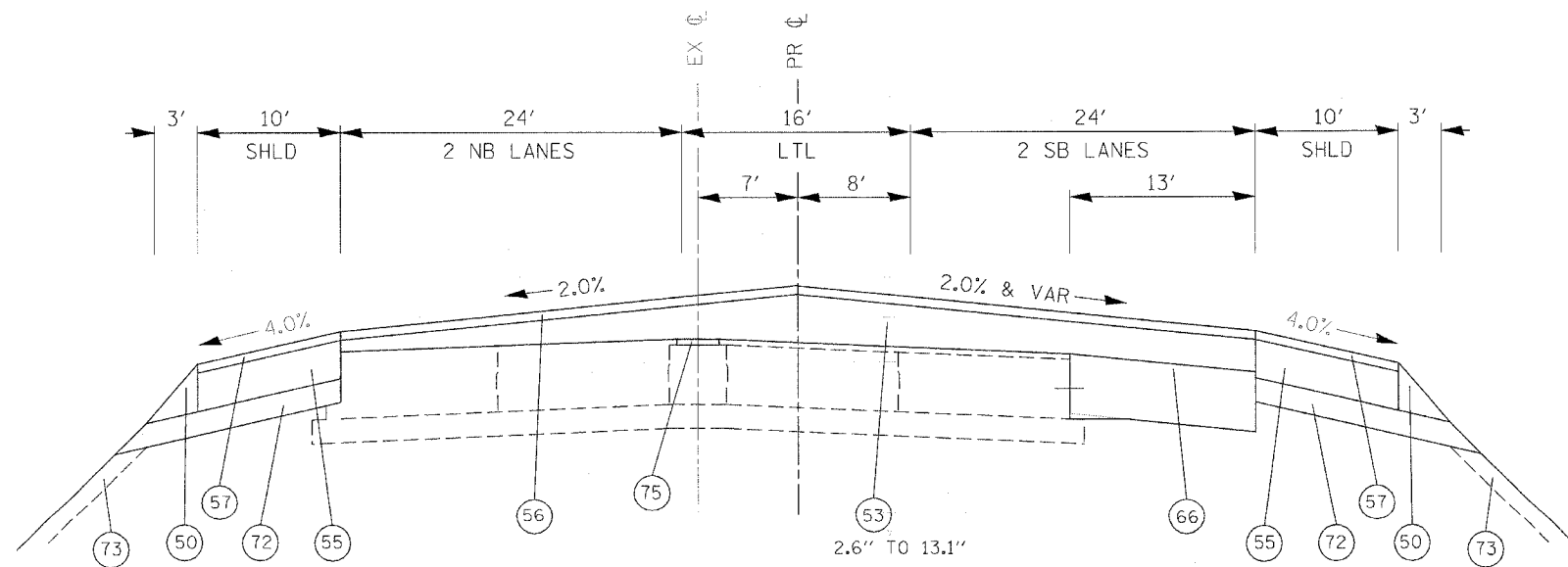


F.A.P. RTE.	SECTION	COUNTY	TOTAL SHEETS	SHEET NO.
669	11W-3,RS-8,*	TAZEWELL	442	33
STA.		TO STA.		
FED. ROAD DIST. NO.		ILLINOIS	FED. AID PROJECT	



(E-15) EXISTING TYPICAL SECTION  
IL RTE 29  
STA 305+52 TO 306+53.13

EX SUPERELEVATION (SBL ONLY)  
S.E. = 1.8%  
S.E. TRANS. - STA. 305+67 TO 307+87  
STA. 318+42 TO 320+62



(P-15) PROPOSED TYPICAL SECTION  
IL RTE 29  
STA 305+52 TO 306+53.13

PR SUPERELEVATION  
e = 2.2%  
SE TRANS - STA 304+98.70 TO STA 306+85.79  
STA 319+50.00 TO STA 321+40.97

- 1 EX AGG SHLD
- 2 EX ANCHOR BOLT 5/8" DIA
- 3 EX AREA REFLECTIVE CRACK CONTROL TREATMENT SYSTEM A
- 4 EX BIT CONC BASE CSE, TY B 3"
- 5 EX BIT CONC BIND & SURF CSE FINE DENSE - GRADED AGG TY, SUB CLASS I-11 (3")
- 6 EX BIT CONC BIND CSE 1 1/2"
- 7 EX BIT CONC BIND CSE 2"
- 8 EX BIT CONC BIND CSE, TY 2 (1 1/2")
- 9 EX BIT CONC PAVEMENT 4"
- 10 EX BIT CONC SHLD 10"
- 11 EX BIT CONC SHLD 2"
- 12 EX BIT CONC SHLD 8"
- 13 EX BIT CONC SURF CSE 2"
- 14 EX BIT CONC SURF CSE CL 1 1 1/2"
- 15 EX BIT CONC PAVEMENT 6" (ASSUMED)
- 16 EX BIT CONC SURF CSE 1 1/2"
- 17 EX BIT CONC SURF CSE MIX E, CL 1, TY 2, 1 1/2"
- 18 EX BIT CONC SURF CSE, MIX E, CL 1, TY 2, 2"
- 19 EX BIT SURF 2" DENSE-GRADED AGG TY SUBCLASS B-2
- 20 EX CCC&G TY B-6.24
- 21 EX CONC MED TY SM (MODIFIED)
- 22 EX CONC MED TY 4
- 23 EX CONC MED TY 4A
- 24 EX INC BIT CONC SURF 4" W COMB CC&G TY 3 MOD
- 25 EX LEVELING BIND (MACH METH), TY 2, 1"
- 26 EX LEVELING BIND VAR THICKNESS
- 27 EX LEVELING BIND VAR THICKNESS (MACH METH), (0"-2")
- 28 EX LEVELING BIND VAR THICKNESS (MACH METH), (0"-4")
- 29 EX MED
- 30 EX PCC BASE CSE 8"
- 31 EX PCC BASE CSE 9"
- 32 EX PCC BASE CSE WIDENING 8"
- 33 EX PCC PVMT 10"
- 34 EX PCC PVMT 9-6-9
- 35 EX POLYMERIZED BIT CONC SURF CSE, SUPER E, N70, 1 1/2"
- 36 EX SOIL CEMENT BASE 6 1/2"
- 37 EX STABILIZED SHLD 8"
- 38 EX STABILIZED SUB-BASE 4" (BAM)
- 39 EX SUB-BASE GRAN MATL 4"
- 40 EX GRASS MED W/COMB CC&G TY 10
- 41 EX BIT CONC 3 1/2"
- 42 EX BIT CONC 4 1/2"
- 50 PR AGG SHLD, TY B
- 51 PR BIT CONC BIND CSE 2 1/4"
- 52 PR BIT CONC BASE CSE SUPERPAVE 6 1/2"
- 53 PR POLY BIT CONC BIND CSE, SP, IL-19.0, N70 (VAR DEPTH)
- 54 PR BIT CONC LEVELING BIND 0-1"
- 55 PR BIT CONC SHLD SP 6 1/2"
- 56 PR POLY BIT CONC SURF CSE, SP, MIX "E", N70 (1 1/2")
- 57 PR BIT CONC SHLD SP 1 1/2"
- 58 PR BIT SHLD REM
- 59 PR BIT SURF REM, 1 1/2"
- 60 PR BIT SURF REM, 2"
- 61 PR COMB CONC C&G, TY B-6.24
- 62 PR COMB C&G REM
- 63 PR MED REM
- 64 PR MED REM PARTIAL DEPTH
- 65 PR CONC MED, TY SM 4.06
- 66 PR PCC BASE CSE WIDENING VARIABLE DEPTH
- 67 PR PVMT REM (SPECIAL)
- 68 PR PVMT REM
- 69 PR SLOPED PARKWAY W GRASS
- 70 PR STORM SEWER 18" TO 24" DIA
- 71 PR SUBBASE GRAN MATL, TY C 4"
- 72 PR TOPSOIL 4"
- 73 PR BIT CONC BASE CSE 6"
- 74 PR BIT CONC BIND CSE 3"
- 75 PR BIT CONC SURF CSE, SP, MIX "C", N50 (2")

REVISIONS	
NAME	DATE

ILLINOIS DEPARTMENT OF TRANSPORTATION  
IL RTE 29  
WESLEY RD TO IL 98  
TYPICAL SECTIONS  
IL RTE 29  
SCALE: VERT.      DRAWN BY  
      HORIZ.        CHECKED BY  
DATE