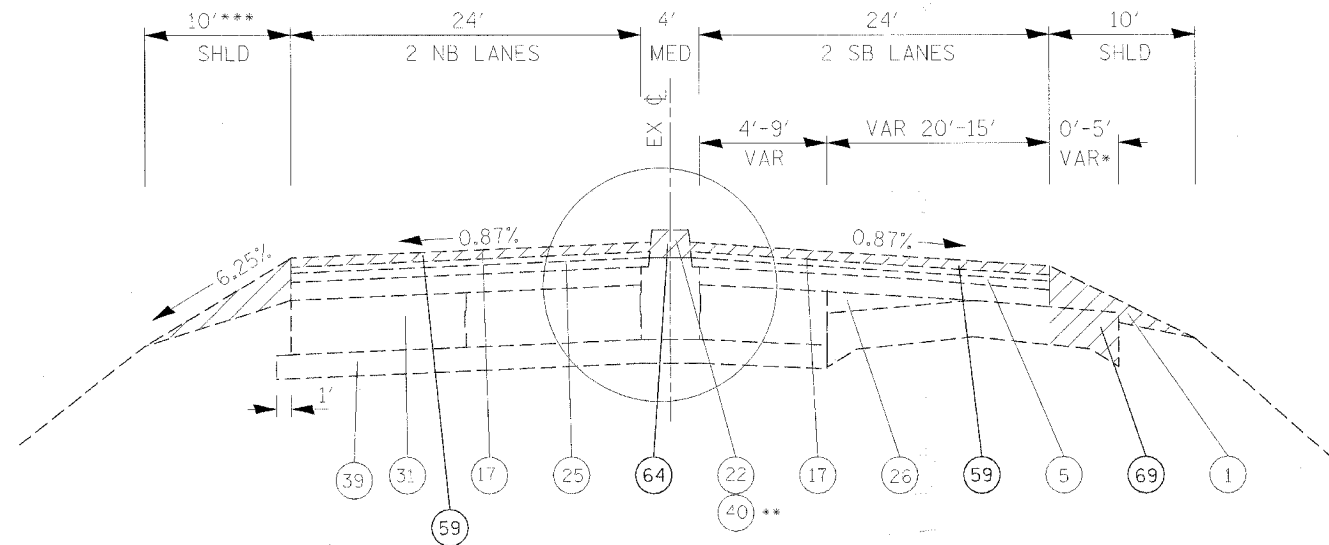


F.A.P. RTE.	SECTION	COUNTY	TOTAL SHEETS	SHEET NO.
669	11W-3,RS-8,*	TAZEWELL	442	35
STA.		TO STA.		
FED. ROAD DIST. NO.		ILLINOIS	FED. AID PROJECT	

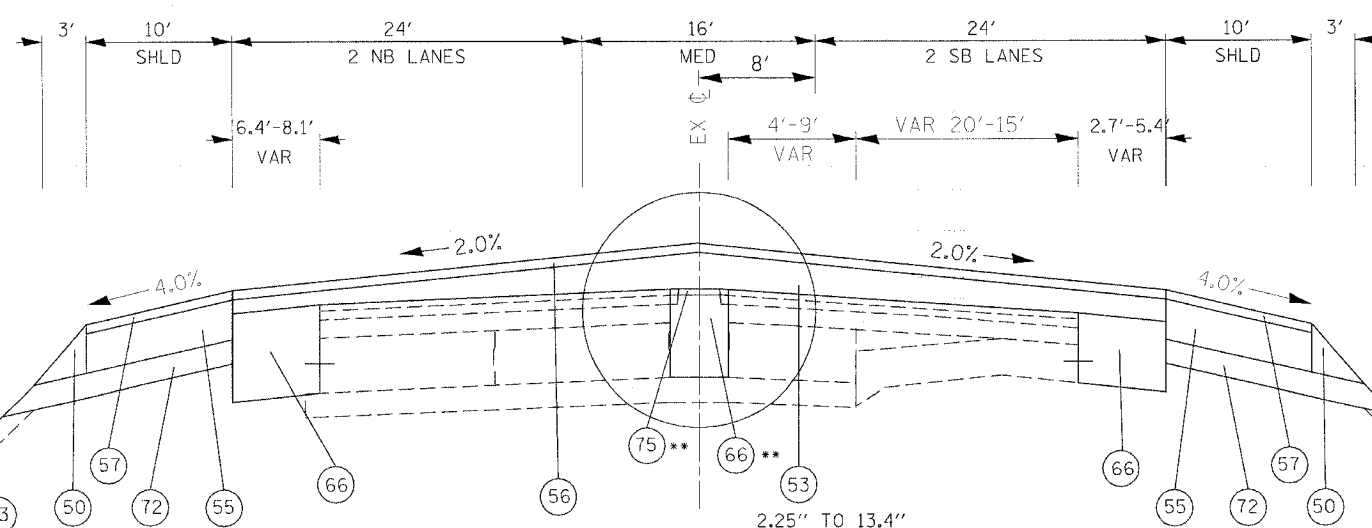
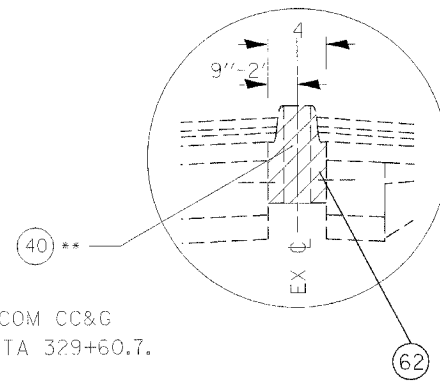


(E-17) EXISTING TYPICAL SECTION
IL RTE 29
STA 320+00 TO 329+60

* NOTE: 0-5' OF EXCESS 9-6-9 PCC PVMT WAS LEFT IN PLACE (COVERED BY AGG SHLD) FROM STA 322+85 RT TO STA 330+40 RT. THE EXCESS 9-6-9 PCC PVMT BETWEEN STA 330+40 RT AND STA 331+02 RT IS ASSUMED TO HAVE BEEN REMOVED DURING THE CONSTRUCTION OF THE BIT SHLD 10".

** STA 320+00 TO STA 321+31

*** SHLD TAPERS FROM 10' TO 2.5' INTO COM CC&G TY 10 FROM LT STA 328+60 TO LT STA 329+60.7.



(P-17) PROPOSED TYPICAL SECTION
IL RTE 29
STA 320+00 TO 329+60

- 1 EX AGG SHLD
- 2 EX ANCHOR BOLT 5/8" DIA
- 3 EX AREA REFLECTIVE CRACK CONTROL TREATMENT SYSTEM A
- 4 EX BIT CONC BASE CSE, TY B 3"
- 5 EX BIT CONC BIND & SURF CSE FINE DENSE - GRADED AGG TY, SUB CLASS I-11 (3")
- 6 EX BIT CONC BIND CSE 1 1/2"
- 7 EX BIT CONC BIND CSE 2"
- 8 EX BIT CONC BIND CSE, TY 2 (1 1/2")
- 9 EX BIT CONC PAVEMENT 4"
- 10 EX BIT CONC SHLD 10"
- 11 EX BIT CONC SHLD 2"
- 12 EX BIT CONC SHLD 8"
- 13 EX BIT CONC SURF CSE 2"
- 14 EX BIT CONC SURF CSE CL 1 1 1/2"
- 15 EX BIT CONC PAVEMENT 6" (ASSUMED)
- 16 EX BIT CONC SURF CSE 1 1/2"
- 17 EX BIT CONC SURF CSE MIX E, CL 1, TY 2, 1 1/2"
- 18 EX BIT CONC SURF CSE, MIX E, CL 1, TY 2, 2"
- 19 EX BIT SURF 2" DENSE-GRADED AGG TY SUBCLASS B-2
- 20 EX CCC&G TY B-6.24
- 21 EX CONC MED TY SM (MODIFIED)
- 22 EX CONC MED TY 4
- 23 EX CONC MED TY 4A
- 24 EX INC BIT CONC SURF 4" W COMB CC&G TY 3 MOD
- 25 EX LEVELING BIND (MACH METH), TY 2, 1"
- 26 EX LEVELING BIND VAR THICKNESS
- 27 EX LEVELING BIND VAR THICKNESS (MACH METH), (0"-2")
- 28 EX LEVELING BIND VAR THICKNESS (MACH METH), (0"-4")
- 29 EX MED
- 30 EX PCC BASE CSE 8"
- 31 EX PCC BASE CSE 9"
- 32 EX PCC BASE CSE WIDENING 8"
- 33 EX PCC PVMT 10"
- 34 EX PCC PVMT 9-6-9
- 35 EX POLYMERIZED BIT CONC SURF CSE, SUPER E, N70, 1 1/2"
- 36 EX SOIL CEMENT BASE 6 1/2"
- 37 EX STABILIZED SHLD 8"
- 38 EX STABILIZED SUB-BASE 4" (BAM)
- 39 EX SUB-BASE GRAN MATL 4"
- 40 EX GRASS MED W/COMB CC&G TY 10
- 41 EX BIT CONC 3 1/2"
- 42 EX BIT CONC 4 1/2"
- 50 PR AGG SHLD, TY B
- 51 PR BIT CONC BIND CSE 2 1/4"
- 52 PR BIT BASE CSE SUPERPAVE 6 1/2"
- 53 PR POLY BIT CONC BIND CSE, SP, IL-19.0, N70 (VAR DEPTH)
- 54 PR BIT CONC LEVELING BIND 0-1"
- 55 PR BIT CONC SHLD SP 6 1/2"
- 56 PR POLY BIT CONC SURF CSE, SP, MIX "E", N70 (1 1/2")
- 57 PR BIT CONC SHLD SP 1 1/2"
- 58 PR BIT SHLD REM
- 59 PR BIT SURF REM, 1 1/2"
- 60 PR BIT SURF REM, 2"
- 61 PR COMB CONC C&G, TY B-6.24
- 62 PR COMB C&G REM
- 63 PR MED REM
- 64 PR MED REM PARTIAL DEPTH
- 65 PR CONC MED, TY SM 4.06
- 66 PR PCC BASE CSE WIDENING VARIABLE DEPTH
- 68 PR PVMT REM (SPECIAL)
- 69 PR PVMT REM
- 70 PR SLOPED PARKWAY W GRASS
- 71 PR STORM SEWER 18" TO 24" DIA
- 72 PR SUBBASE GRAN MATL, TY C 4"
- 73 PR TOPSOIL 4"
- 74 PR BIT CONC BASE CSE SP 6"
- 75 PR BIT CONC BIND CSE 3"
- 76 PR BIT CONC SURF CSE, SP, MIX "C", N50 (2")

REVISIONS	
NAME	DATE

ILLINOIS DEPARTMENT OF TRANSPORTATION
IL RTE 29
WESLEY RD TO IL RTE 98
TYPICAL SECTIONS
IL RTE 29
SCALE: VERT. _____
HORIZ. _____
DATE _____ DRAWN BY _____
CHECKED BY _____

PLOT DATE = 4/10/2006
 PLOT SCALE = 1/4" = 1'-0"
 PLOT SHEET = 64 OF 64
 REFERENCE = #REF#