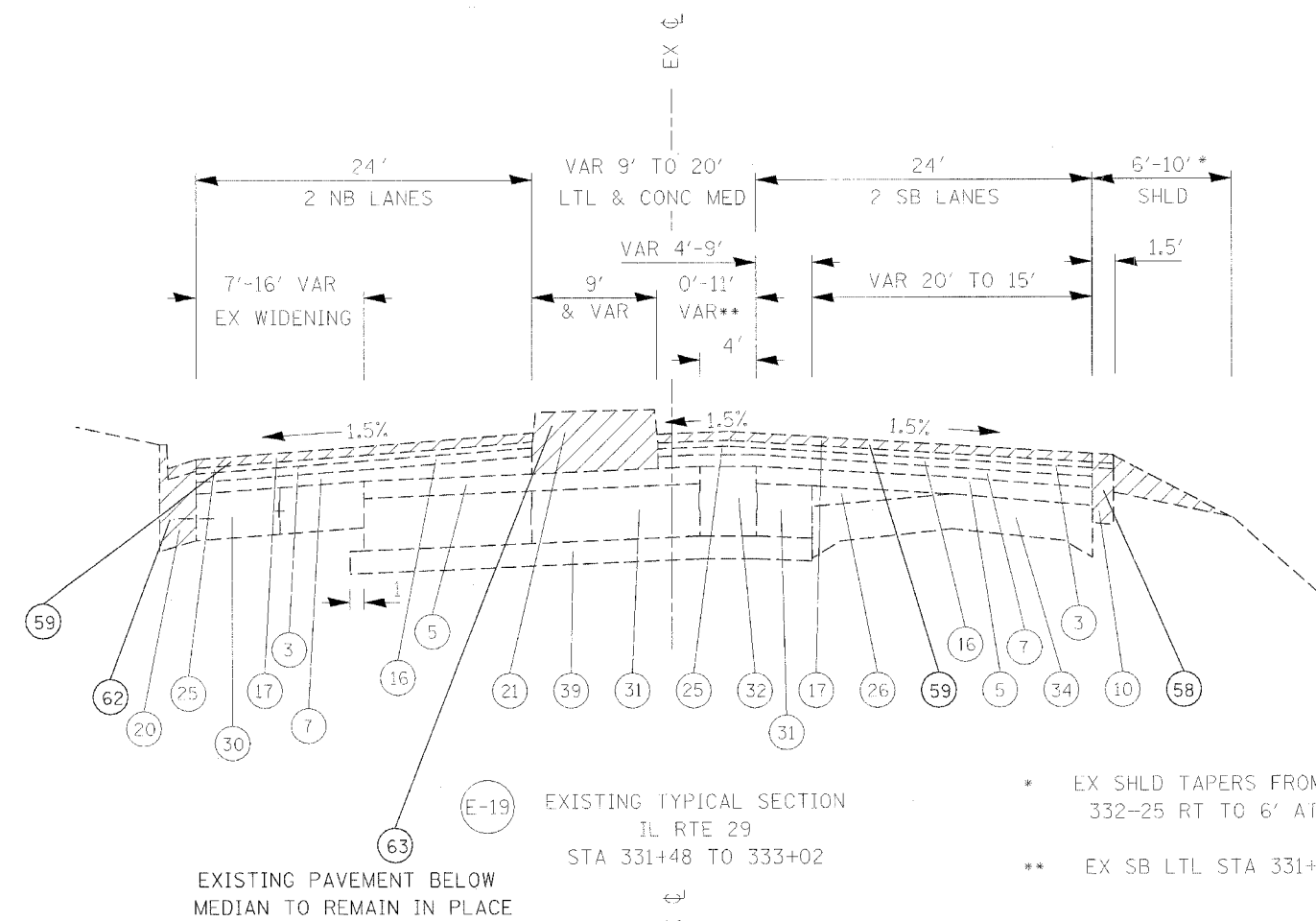
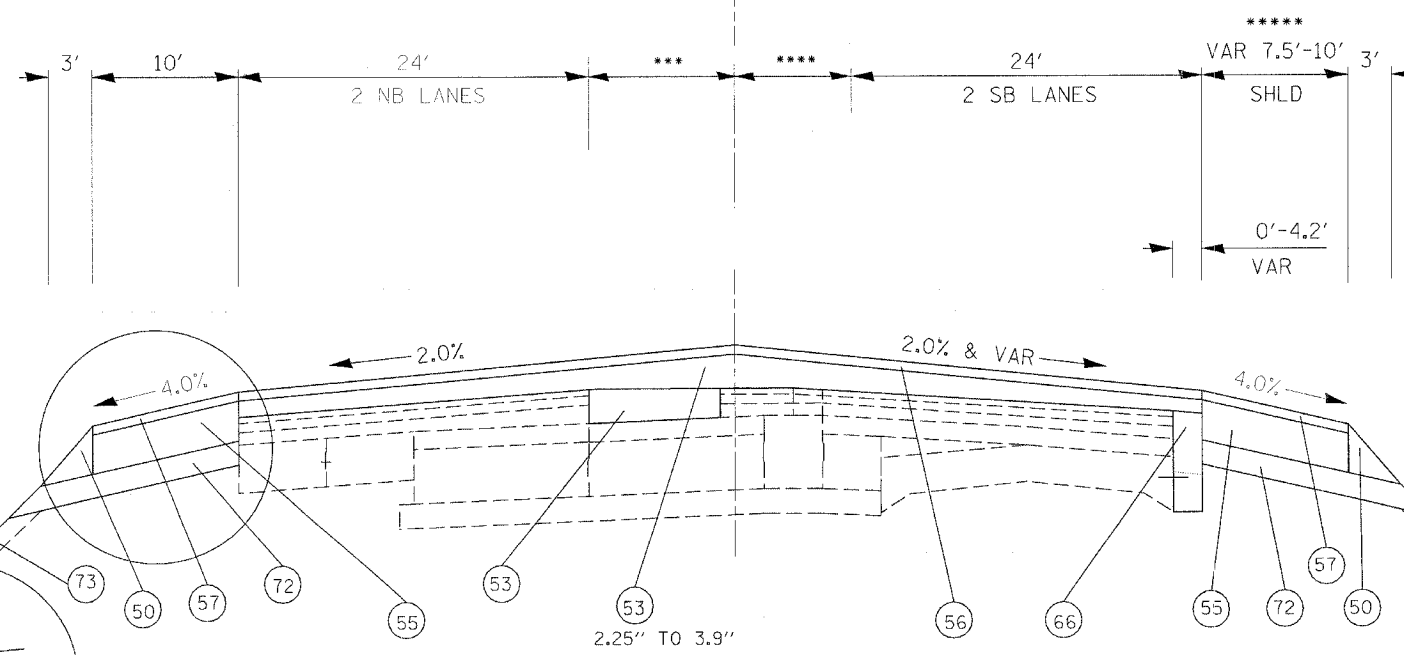


F.A.P. RTE.	SECTION	COUNTY	TOTAL SHEETS	SHEET NO.
669	11W-3,RS-8,*	TAZEWELL	442	37
STA.		TO STA.		
FED. ROAD DIST. NO.		ILLINOIS	FED. AID PROJECT	



- 1 EX AGG SHLD
- 2 EX ANCHOR BOLT 5/8" DIA
- 3 EX AREA REFLECTIVE CRACK CONTROL TREATMENT SYSTEM A
- 4 EX BIT CONC BASE CSE, TY B 3"
- 5 EX BIT CONC BIND & SURF CSE FINE DENSE - GRADED AGG TY, SUB CLASS I-11 (3")
- 6 EX BIT CONC BIND CSE 1 1/2"
- 7 EX BIT CONC BIND CSE 2"
- 8 EX BIT CONC BIND CSE, TY 2 (1 1/2")
- 9 EX BIT CONC PAVEMENT 4"
- 10 EX BIT CONC SHLD 10"
- 11 EX BIT CONC SHLD 2"
- 12 EX BIT CONC SHLD 8"
- 13 EX BIT CONC SURF CSE 2"
- 14 EX BIT CONC SURF CSE CL 1 1 1/2"
- 15 EX BIT CONC PAVEMENT 6" (ASSUMED)
- 16 EX BIT CONC SURF CSE 1 1/2"
- 17 EX BIT CONC SURF CSE MIX E, CL 1, TY 2, 1 1/2"
- 18 EX BIT CONC SURF CSE, MIX E, CL 1, TY 2, 2"
- 19 EX BIT SURF 2" DENSE-GRADED AGG TY SUBCLASS B-2
- 20 EX CCC&G TY B-6.24
- 21 EX CONC MED TY SM (MODIFIED)
- 22 EX CONC MED TY 4
- 23 EX CONC MED TY 4A
- 24 EX INC BIT CONC SURF 4" W COMB CC&G TY 3 MOD
- 25 EX LEVELING BIND (MACH METH), TY 2, 1"
- 26 EX LEVELING BIND VAR THICKNESS
- 27 EX LEVELING BIND VAR THICKNESS (MACH METH), (0"-2")
- 28 EX LEVELING BIND VAR THICKNESS (MACH METH), (0"-4")
- 29 EX MED
- 30 EX PCC BASE CSE 8"
- 31 EX PCC BASE CSE 9"
- 32 EX PCC BASE CSE WIDENING 8"
- 33 EX PCC PVMT 10"
- 34 EX PCC PVMT 9-6-9
- 35 EX POLYMERIZED BIT CONC SURF CSE, SUPER E, N70, 1 1/2"
- 36 EX SOIL CEMENT BASE 6 1/2"
- 37 EX STABILIZED SHLD 8"
- 38 EX STABILIZED SUB-BASE 4" (BAM)
- 39 EX SUB-BASE GRAN MATL 4"
- 40 EX GRASS MED W/COMB CC&G TY 10
- 41 EX BIT CONC 3 1/2"
- 42 EX BIT CONC 4 1/2"

\* EX SHLD TAPERS FROM 10' AT STA 332+25 RT TO 6' AT STA 333+25 RT.  
 \*\* EX SB LTL STA 331+70.07 TO STA 336+11.33.



- 49 PR AGG SHLD, TY B
- 50 PR BIT CONC BIND CSE 2 1/4"
- 51 PR BIT CONC BIND CSE SUPERPAVE 6 1/2"
- 52 PR POLY BIT CONC BIND CSE, SP, IL-19.0, N70 (VAR DEPTH)
- 53 PR BIT CONC LEVELING BIND 0-1"
- 54 PR BIT CONC SHLD SP 6 1/2"
- 55 PR POLY BIT CONC SURF CSE, SP, MIX "E", N70 (1 1/2")
- 56 PR BIT CONC SHLD SP 1 1/2"
- 57 PR BIT SHLD REM
- 58 PR BIT SURF REM
- 59 PR BIT SURF REM, 1 1/2"
- 60 PR BIT SURF REM, 2"
- 61 PR COMB CONC C&G, TY B-6.24
- 62 PR COMB C&G REM
- 63 PR MED REM
- 64 PR MED REM PARTIAL DEPTH
- 65 PR CONC MED, TY SM 4.06
- 66 PR PCC BASE CSE WIDENING VARIABLE DEPTH
- 67 PR PVMT REM (SPECIAL)
- 68 PR PVMT REM
- 69 PR SLOPED PARKWAY W GRASS
- 70 PR STORM SEWER 18" TO 24" DIA
- 71 PR SUBBASE GRAN MATL, TY C 4"
- 72 PR TOPSOIL 4"
- 73 PR BIT CONC BASE CSE SP 6"
- 74 PR BIT CONC BIND CSE 3"
- 75 PR BIT CONC SURF CSE, SP, MIX "C", N50 (2")
- 76 PR BIT CONC SURF CSE, SP, MIX "C", N50 (2")

\*\*\* VAR FROM 8' AT STA 330+27.5 TO 15.13' AT STA 333+00  
 \*\*\*\* VAR FROM 7.5' AT STA 331+48 TO 6.87' AT STA 333+00  
 \*\*\*\*\* 10' AT STA 331+48 TO 332+25 VAR FROM 10' AT STA 332+25 TO 7.5' AT STA 333+00

PR TY B GUTTER OUTLET FROM STA 332+47.39 TO STA 333+00

REVISIONS		ILLINOIS DEPARTMENT OF TRANSPORTATION IL RTE 29 WESLEY RD TO IL RTE 98 TYPICAL SECTIONS IL RTE 29
NAME	DATE	
		SCALE: VERT. HORIZ. DATE DRAWN BY CHECKED BY

PLOT DATE = 4/18/2006  
 PLOT NAME = 339typsec11.dgn  
 PLOT SCALE = 433999 / 1 IN.  
 REFERENCE = #REF#