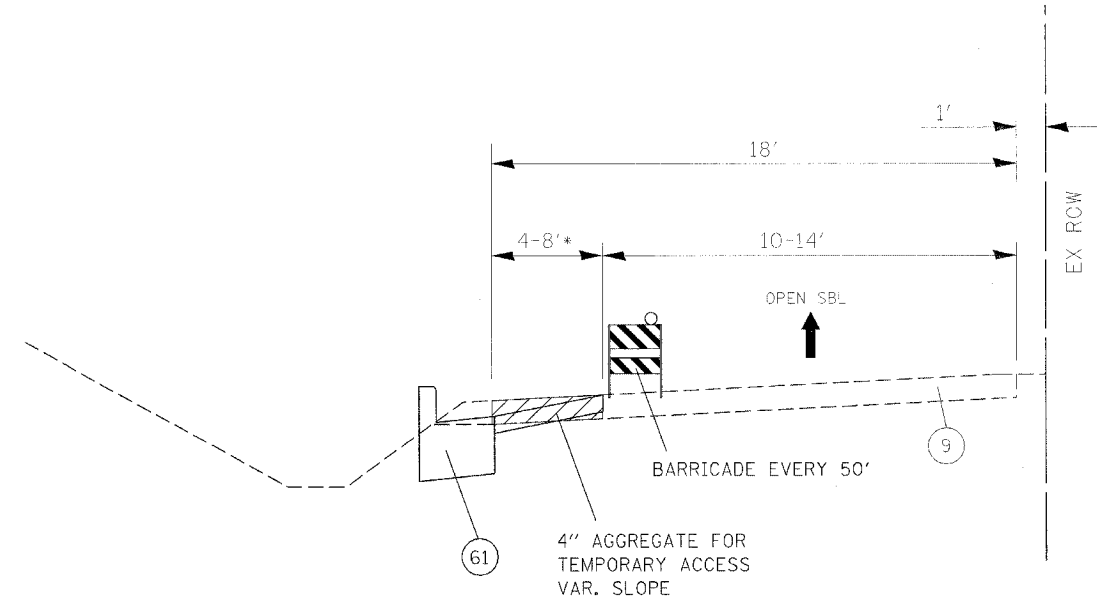


F.A.P. RTE.	SECTION	COUNTY	TOTAL SHEETS	SHEET NO.
669	11W-3,RS-8.*	TAZEWELL	442	123
STA.		TO STA.		
FED. ROAD DIST. NO.		ILLINOIS	FED. AID PROJECT	

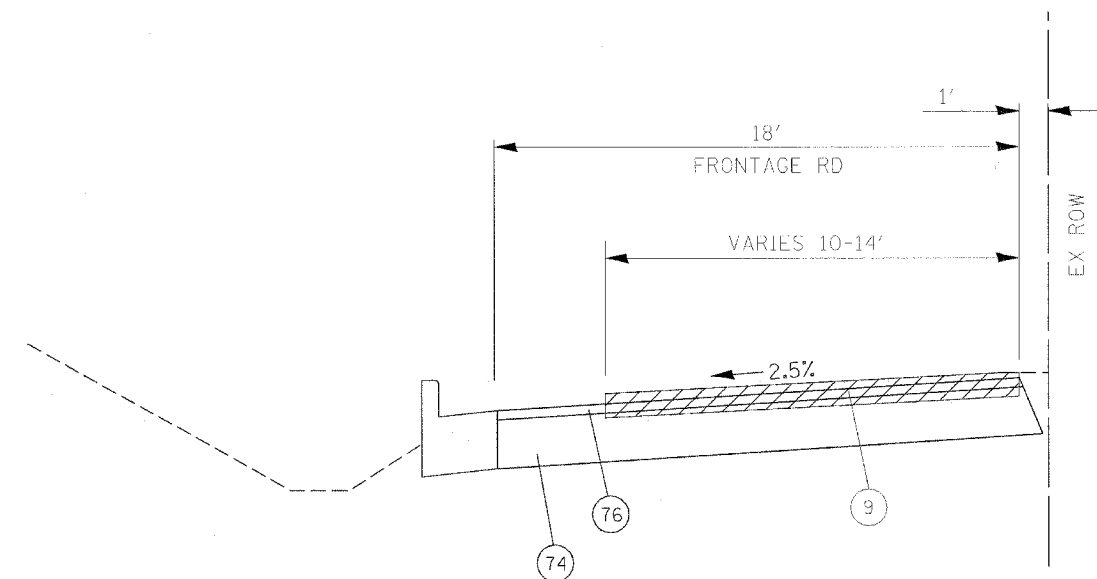
\* 11BR-1, 11BR-2

- ① EX AGG SHLD
- ② EX ANCHOR BOLT 5/8" DIA
- ③ EX AREA REFLECTIVE CRACK CONTROL TREATMENT SYSTEM A
- ④ EX BIT CONC BASE CSE, TY B 3"
- ⑤ EX BIT CONC BIND & SURF CSE FINE DENSE - GRADED AGG TY, SUB CLASS I-11 (3")
- ⑥ EX BIT CONC BIND CSE 1 1/2"
- ⑦ EX BIT CONC BIND CSE 2"
- ⑧ EX BIT CONC BIND CSE, TY 2 (1 1/2")
- ⑨ EX BIT CONC PAVEMENT 4"
- ⑩ EX BIT CONC SHLD 10"
- ⑪ EX BIT CONC SHLD 2"
- ⑫ EX BIT CONC SHLD 8"
- ⑬ EX BIT CONC SURF CSE 2"
- ⑭ EX BIT CONC SURF CSE CL I 1 1/2"
- ⑮ EX BIT CONC PAVEMENT 6" (ASSUMED)
- ⑯ EX BIT CONC SURF CSE 1 1/2"
- ⑰ EX BIT CONC SURF CSE MIX E, CL 1, TY 2, 1 1/2"
- ⑱ EX BIT CONC SURF CSE, MIX E, CL 1, TY 2, 2"
- ⑲ EX BIT SURF 2" DENSE-GRADED AGG TY SUBCLASS B-2
- ⑳ EX CC&G TY B-6.24
- ㉑ EX CONC MED TY SM (MODIFIED)
- ㉒ EX CONC MED TY 4
- ㉓ EX CONC MED TY 4A
- ㉔ EX INC BIT CONC SURF 4" W COMB CC&G TY 3 MOD
- ㉕ EX LEVELING BIND (MACH METH), TY 2, 1"
- ㉖ EX LEVELING BIND VAR THICKNESS
- ㉗ EX LEVELING BIND VAR THICKNESS (MACH METH), (0"-2")
- ㉘ EX LEVELING BIND VAR THICKNESS (MACH METH), (0"-4")
- ㉙ EX MED
- ㉚ EX PCC BASE CSE 8"
- ㉛ EX PCC BASE CSE 9"
- ㉜ EX PCC BASE CSE WIDENING 8"
- ㉝ EX PCC PVMT 10"
- ㉞ EX PCC PVMT 9-6-9
- ㉟ EX POLYMERIZED BIT CONC SURF CSE, SUPER E, N70, 1 1/2"
- ㊱ EX SOIL CEMENT BASE 6 1/2"
- ㊲ EX STABILIZED SHLD 8"
- ㊳ EX STABILIZED SUB-BASE 4" (BAM)
- ㊴ EX SUB-BASE GRAN MATL. 4"
- ㊵ EX GRASS MED W/COMB CC&G TY 10
- ㊶ EX BIT CONC 3 1/2"
- ㊷ EX BIT CONC 4 1/2"
- 50 PR AGG SHLD, TY B
- 51 PR BIT CONC BIND CSE 2 1/4"
- 52 PR BIT BASE CSE SUPERPAVE 6 1/2"
- 53 PR POLY BIT CONC BIND CSE, SP, IL-19.0, N70 (VAR DEPTH)
- 54 PR BIT CONC LEVELING BIND 0-1"
- 55 PR BIT CONC SHLD SP 6 1/2"
- 56 PR POLY BIT CONC SURF CSE, SP, MIX "E", N70 (1 1/2")
- 57 PR BIT CONC SHLD SP 1 1/2"
- 58 PR BIT SHLD REM
- 59 PR BIT SURF REM, 1 1/2"
- 60 PR BIT SURF REM, 2"
- 61 PR COMB CONC C&G, TY B-6.24
- 62 PR COMB C&G REM
- 63 PR MED REM
- 64 PR MED REM PARTIAL DEPTH
- 65 PR CONC MED, TY SM 4.06
- 66 PR PCC BASE CSE WIDENING VARIABLE DEPTH
- 68 PR PVMT REM (SPECIAL)
- 69 PR PVMT REM
- 70 PR SLOPED PARKWAY W GRASS
- 71 PR STORM SEWER 18" TO 24" DIA
- 72 PR SUBBASE GRAN MATL, TY C 4"
- 73 PR TOPSOIL 4"
- 74 PR BIT CONC BASE CSE SP 6"
- 75 PR BIT CONC BIND CSE 3"
- 76 PR BIT CONC SURF CSE, SP, MIX "C", N50 (2")



\*4FT FROM STA. 258+95.5 TO STA. 268+00  
 8FT FROM STA. 268+00 TO STA. 271+00  
 4FT FROM STA. 271+00 TO STA. 272+85.0

71  
 HIGHWAY BOULEVARD 1  
 STAGE 3A TYPICAL SECTION



74  
 76  
 9  
 HIGHWAY BOULEVARD 1  
 STAGE 3B TYPICAL SECTION

SYMBOLS

PAVEMENT REMOVAL

REVISIONS	
NAME	DATE

ILLINOIS DEPARTMENT OF TRANSPORTATION  
 HIGHWAY BOULEVARD 1  
 STAGE 3A & 3B  
 TYPICAL SECTIONS

SCALE: VERT. NOT TO SCALE  
 HORIZ. DRAWN BY  
 DATE CHECKED BY