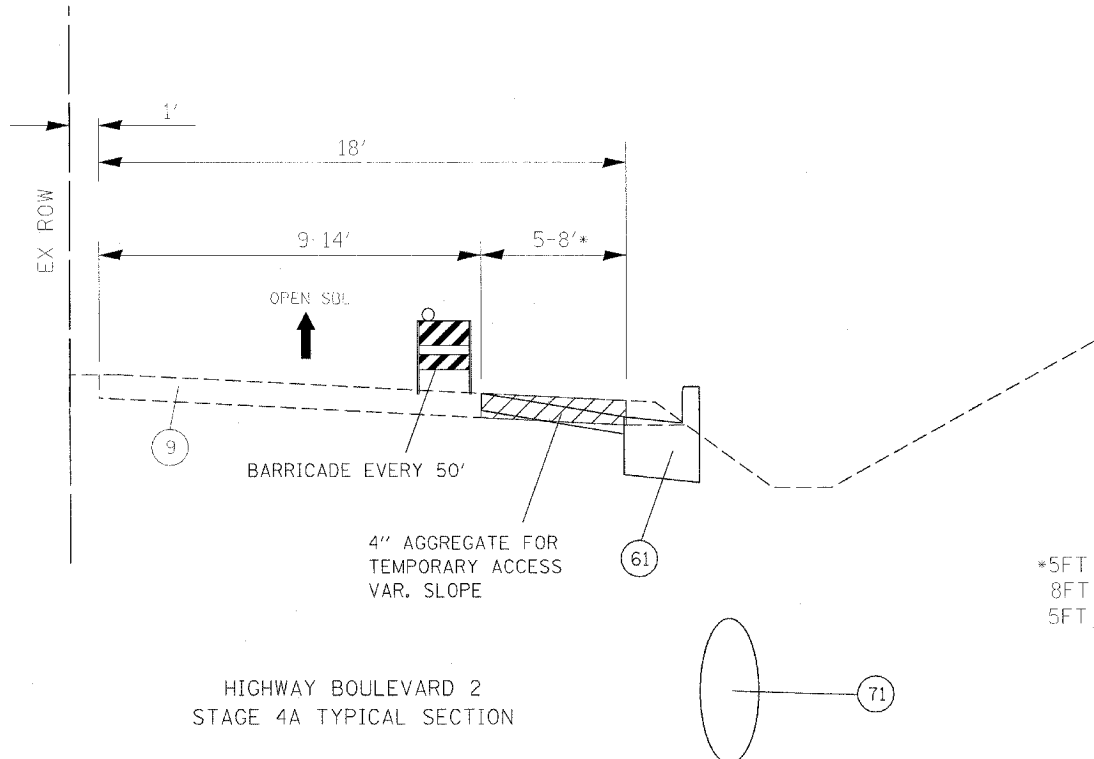
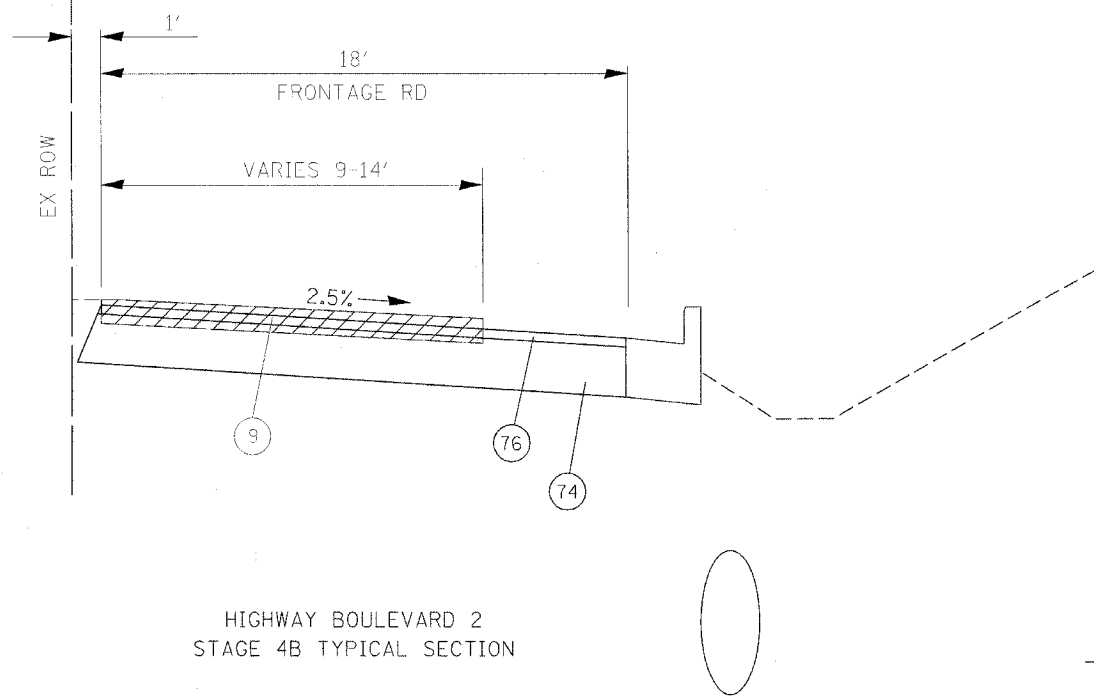


F.A.P. RTE.	SECTION	COUNTY	TOTAL SHEETS	SHEET NO.
669	11W-3,RS-8,*	TAZEWELL	442	135
STA.		TO STA.		
FED. ROAD DIST. NO.	ILLINOIS	FED. AID PROJECT		

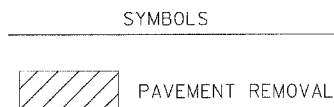


HIGHWAY BOULEVARD 2
STAGE 4A TYPICAL SECTION

*5FT FROM STA. 261+67.5 TO STA. 268+00
8FT FROM STA. 268+00 TO STA. 272+00
5FT FROM STA. 272+00 TO STA. 273+05.7



HIGHWAY BOULEVARD 2
STAGE 4B TYPICAL SECTION



- ① EX AGG SHLD
- ② EX ANCHOR BOLT 5/8" DIA
- ③ EX AREA REFLECTIVE CRACK CONTROL TREATMENT SYSTEM A
- ④ EX BIT CONC BASE CSE, TY B 3"
- ⑤ EX BIT CONC BIND & SURF CSE FINE DENSE - GRADED AGG TY, SUB CLASS 1-11 (3")
- ⑥ EX BIT CONC BIND CSE 1 1/2"
- ⑦ EX BIT CONC BIND CSE 2"
- ⑧ EX BIT CONC BIND CSE, TY 2 (1 1/2")
- ⑨ EX BIT CONC PAVEMENT 4"
- ⑩ EX BIT CONC SHLD 10"
- ⑪ EX BIT CONC SHLD 2"
- ⑫ EX BIT CONC SHLD 8"
- ⑬ EX BIT CONC SURF CSE 2"
- ⑭ EX BIT CONC SURF CSE CL 1 1 1/2"
- ⑮ EX BIT CONC PAVEMENT 6" (ASSUMED)
- ⑯ EX BIT CONC SURF CSE 1 1/2"
- ⑰ EX BIT CONC SURF CSE MIX E, CL 1, TY 2, 1 1/2"
- ⑱ EX BIT CONC SURF CSE, MIX E, CL 1, TY 2, 2"
- ⑲ EX BIT SURF 2" DENSE-GRADED AGG TY SUBCLASS B-2
- ⑳ EX CCC&G TY B-6.24
- ㉑ EX CONC MED TY SM (MODIFIED)
- ㉒ EX CONC MED TY 4
- ㉓ EX CONC MED TY 4A
- ㉔ EX INC BIT CONC SURF 4" W COMB CC&G TY 3 MOD
- ㉕ EX LEVELING BIND (MACH METH), TY 2, 1"
- ㉖ EX LEVELING BIND VAR THICKNESS
- ㉗ EX LEVELING BIND VAR THICKNESS (MACH METH), (0"-2")
- ㉘ EX LEVELING BIND VAR THICKNESS (MACH METH), (0"-4")
- ㉙ EX MED
- ㉚ EX PCC BASE CSE 8"
- ㉛ EX PCC BASE CSE 9"
- ㉜ EX PCC BASE CSE WIDENING 8"
- ㉝ EX PCC PVMT 10"
- ㉞ EX PCC PVMT 9-6-9
- ㉟ EX POLYMERIZED BIT CONC SURF CSE, SUPER E, N70, 1 1/2"
- ㊱ EX SOIL CEMENT BASE 6 1/2"
- ㊲ EX STABILIZED SHLD 8"
- ㊳ EX STABILIZED SUB-BASE 4" (BAM)
- ㊴ EX SUB-BASE GRAN MATL 4"
- ㊵ EX GRASS MED W/COMB CC&G TY 10
- ㊶ EX BIT CONC 3 1/2"
- ㊷ EX BIT CONC 4 1/2"
- ㊸ PR AGG SHLD, TY B
- ㊹ PR BIT CONC BIND CSE 2 1/4"
- ㊺ PR BIT BASE CSE SUPERPAVE 6 1/2"
- ㊻ PR POLY BIT CONC BIND CSE, SP, IL-19.0, N70 (VAR DEPTH)
- ㊼ PR BIT CONC LEVELING BIND 0-1"
- ㊽ PR BIT CONC SHLD SP 6 1/2"
- ㊾ PR POLY BIT CONC SURF CSE, SP, MIX "E", N70 (1 1/2")
- ㊿ PR BIT CONC SHLD SP 1 1/2"
- 1 PR BIT SHLD REM
- 2 PR BIT SURF REM, 1 1/2"
- 3 PR BIT SURF REM, 2"
- 4 PR COMB CONC C&G, TY B-6.24
- 5 PR COMB C&G REM
- 6 PR MED REM
- 7 PR MED REM PARTIAL DEPTH
- 8 PR CONC MED, TY SM 4.06
- 9 PR PCC BASE CSE WIDENING VARIABLE DEPTH
- 10 PR PVMT REM (SPECIAL)
- 11 PR PVMT REM
- 12 PR SLOPED PARKWAY W GRASS
- 13 PR STORM SEWER 18" TO 24" DIA
- 14 PR SUBBASE GRAN MATL, TY C 4"
- 15 PR TOPSOIL 4"
- 16 PR BIT CONC BASE CSE SP 6"
- 17 PR BIT CONC BIND CSE 3"
- 18 PR BIT CONC SURF CSE, SP, MIX "C", N50 (2")

REVISIONS	
NAME	DATE

ILLINOIS DEPARTMENT OF TRANSPORTATION
**HIGHWAY BOULEVARD 2
 STAGE 4A & 4B
 TYPICAL SECTIONS**
 SCALE: VERT. NOT TO SCALE
 HORIZ. DATE DRAWN BY CHECKED BY

PLOT DATE = 4/18/2006
 FILE NAME = c:\p\projects\2006\phase11\typical.stg\typical.dgn
 PLOT SCALE = 1/8" = 1'-0"
 REFERENCE = BIRP#