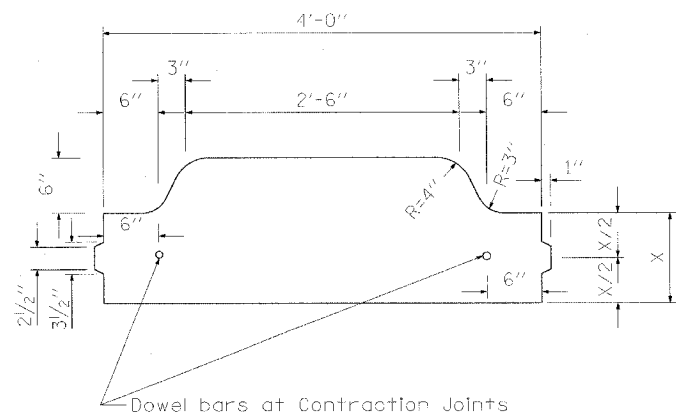


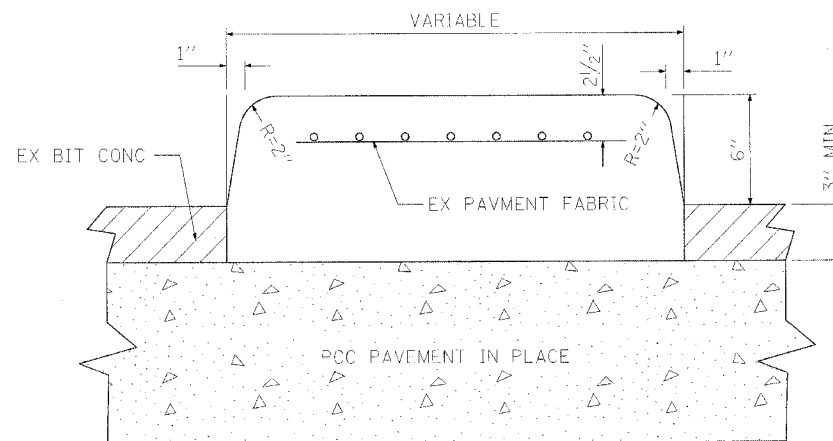
F.A.P. RTE.	SECTION	COUNTY	TOTAL SHEETS	SHEET NO.
669	11W-3,RS-8,*	TAZEWELL	442	226
STA.		TO STA.		
FED. ROAD DIST. NO.		ILLINOIS FED. AID PROJECT		
• 11BR-1, 11BR-2				

EXISTING CONCRETE MEDIAN TYPE 4



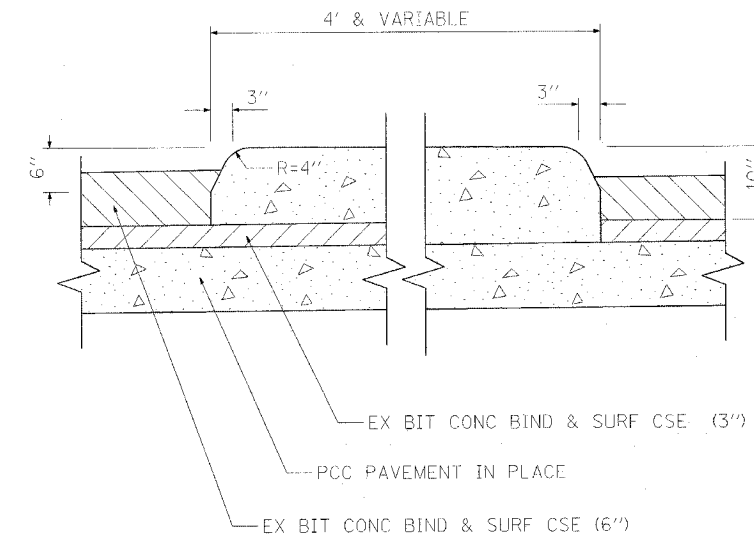
DIMENSION "X" IS EQUAL TO THE ADJACENT PAVEMENT THICKNESS.  
(REFERENCE: STANDARD 2122)

EXISTING CONCRETE MEDIAN TYPE 4A



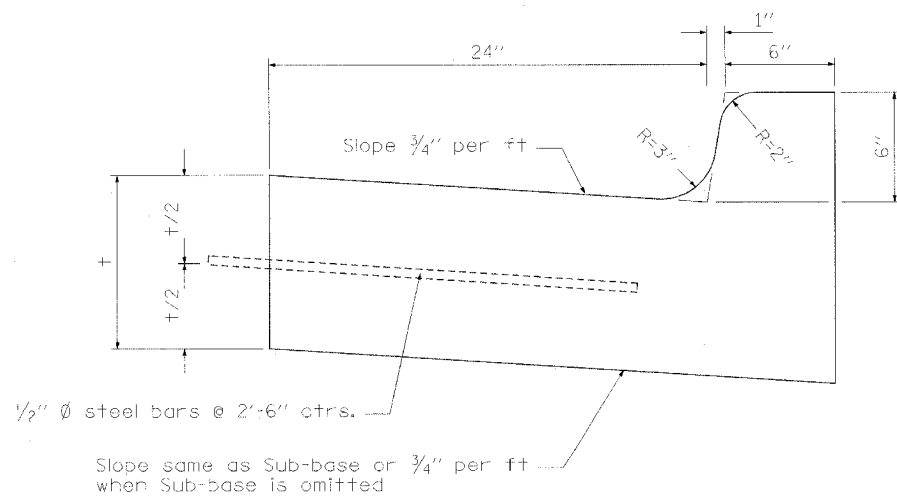
(REFERENCE: STANDARD 2122)

EXISTING CONCRETE MEDIAN TYPE SM (MODIFIED)



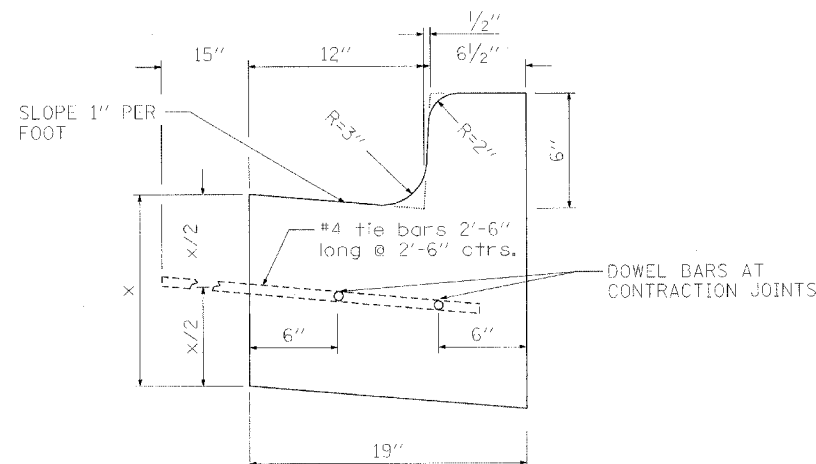
(REFERENCE: PLAN SET CAT. NO. 014300-00)

EXISTING COMBINATION CONCRETE CURB AND GUTTER TYPE B-6.24



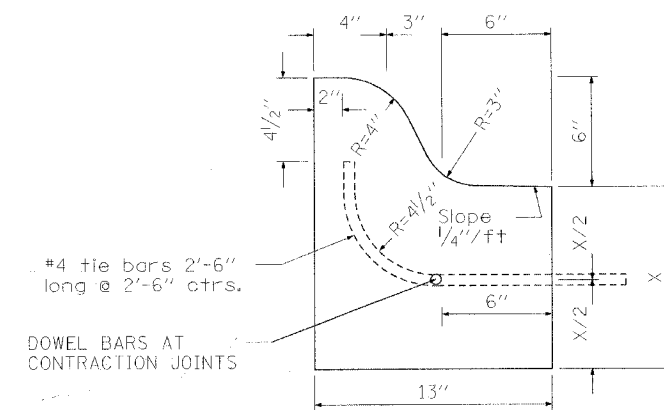
DIMENSION "+" IS EQUAL TO THE ADJACENT PAVEMENT THICKNESS.  
(REFERENCE: STANDARD 2130-5)

EXISTING COMBINATION CONCRETE CURB AND GUTTER TYPE 3



DIMENSION "X" IS EQUAL TO THE ADJACENT PAVEMENT THICKNESS.  
(REFERENCE: STANDARD 1790F)

EXISTING COMBINATION CONCRETE CURB AND GUTTER TYPE 10



DIMENSION "X" IS EQUAL TO THE ADJACENT PAVEMENT THICKNESS.  
(REFERENCE: STANDARD 1790F)

REVISIONS	
NAME	DATE

ILLINOIS DEPARTMENT OF TRANSPORTATION

**EXISTING MEDIAN & CCC&G DETAILS**

SCALE: VERT. HORIZ.  
DATE

DRAWN BY  
CHECKED BY