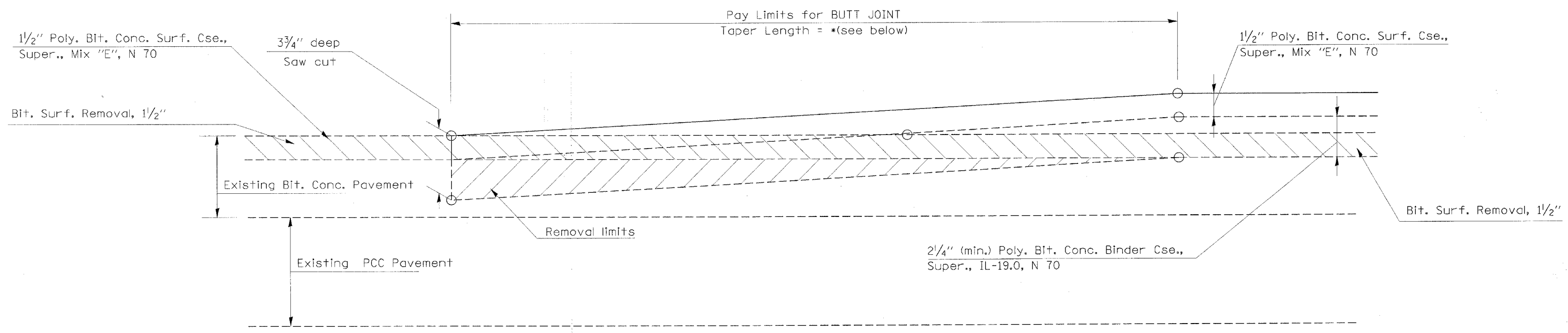


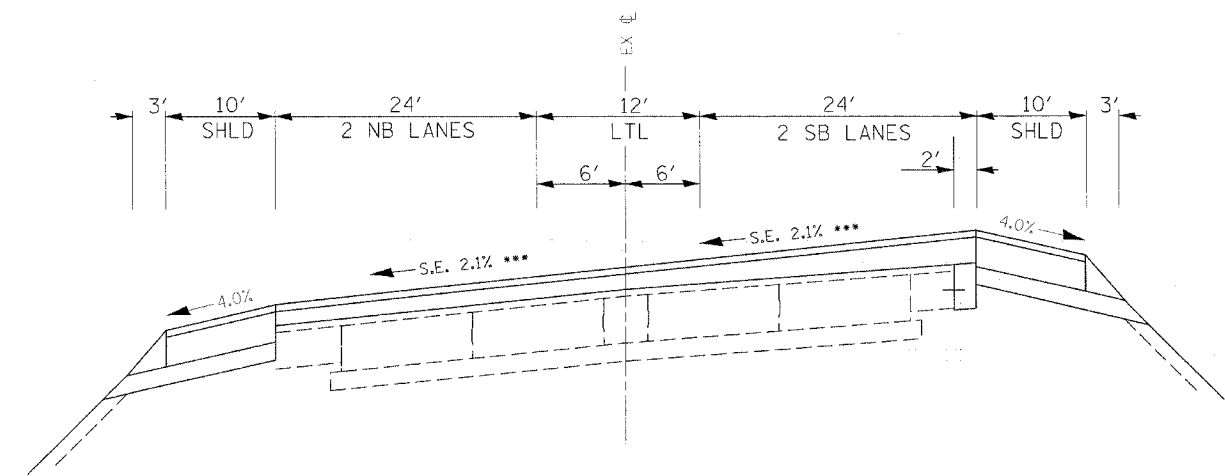
F.A.P. RTE.	SECTION	COUNTY	TOTAL SHEETS	SHEET NO.
669	11W-3,RS-8,*	TAZEWELL	442	242
STA.		TO STA.		
FED. ROAD DIST. NO.		ILLINOIS	FED. AID PROJECT	
* 11BR-1, 11BR-2				



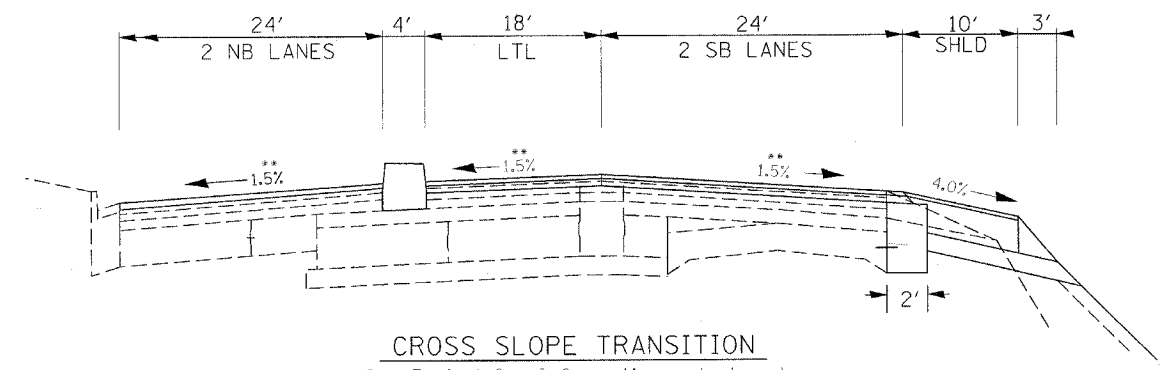
*** Match existing cross slope at Sta 251+25 and transition to the full super cross slope of 2.1% at Sta. 251+66.

*STA. 251+25 TO STA. 251+66 = 41'
 *STA. 333+66.46 TO STA. 334+11.46 = 45'

** Transition from proposed cross slope of 2.0% at Sta. 333+66.46 to match existing cross slope at Sta. 334+00 to maintain drainage.



CROSS SLOPE TRANSITION
 (See Typical for Information not shown)
 STA. 251+25 TO STA. 251+66



CROSS SLOPE TRANSITION
 (See Typical for information not shown)
 STA 333+00 TO 334+00

PLOT DATE = 4/18/2005
 FILE NAME = 29pcturyspans.11\mstdgn
 PLOT SCALE = 3/8" = 1'-0"
 REFERENCE = #REF#

REVISIONS	
NAME	DATE

ILLINOIS DEPARTMENT OF TRANSPORTATION
**BIT SURF REM BUTT
 JOINT (SPECIAL)
 DETAILS**
 SCALE: VERT. DRAWN BY
 HORIZ. CHECKED BY
 DATE