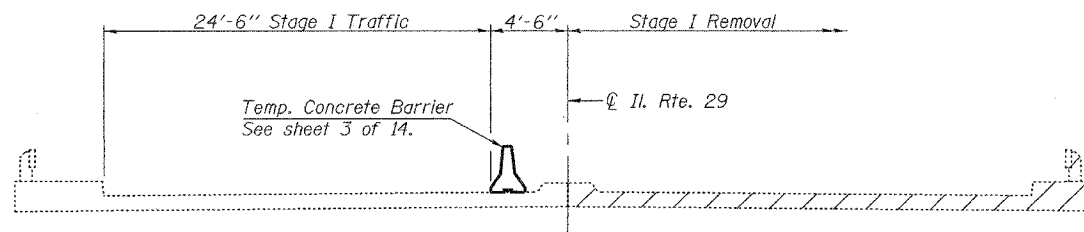


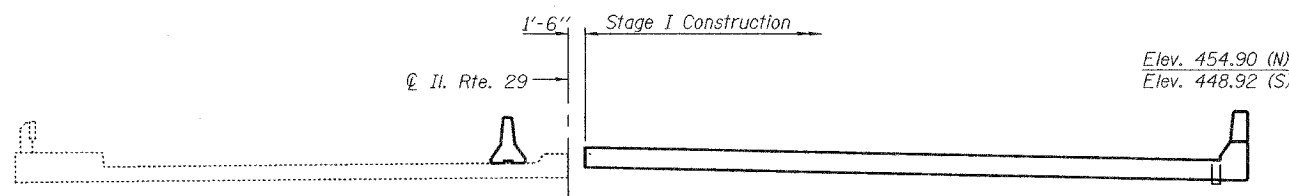
STATE OF ILLINOIS  
DEPARTMENT OF TRANSPORTATION

|                       |         |          |                  |           |
|-----------------------|---------|----------|------------------|-----------|
| ROUTE NO.             | SECTION | COUNTY   | TOTAL SHEETS     | SHEET NO. |
| F.A.P. 669            | 11BR-2  | TAZEWELL | 442              | 257       |
| FED. ROAD DIST. NO. 7 |         | ILLINOIS | FED. AID PROJECT |           |

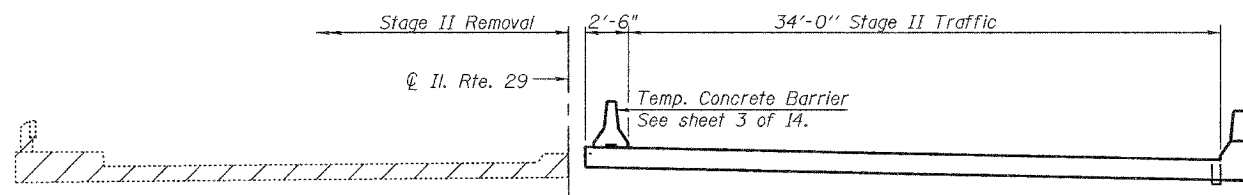
Contract #88804



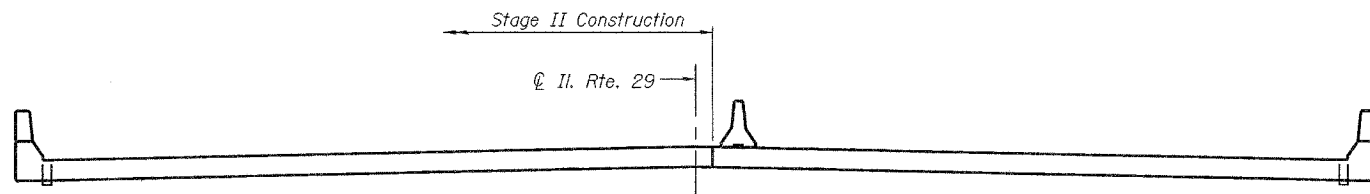
**STAGE I REMOVAL**



**STAGE I CONSTRUCTION**



**STAGE II REMOVAL**

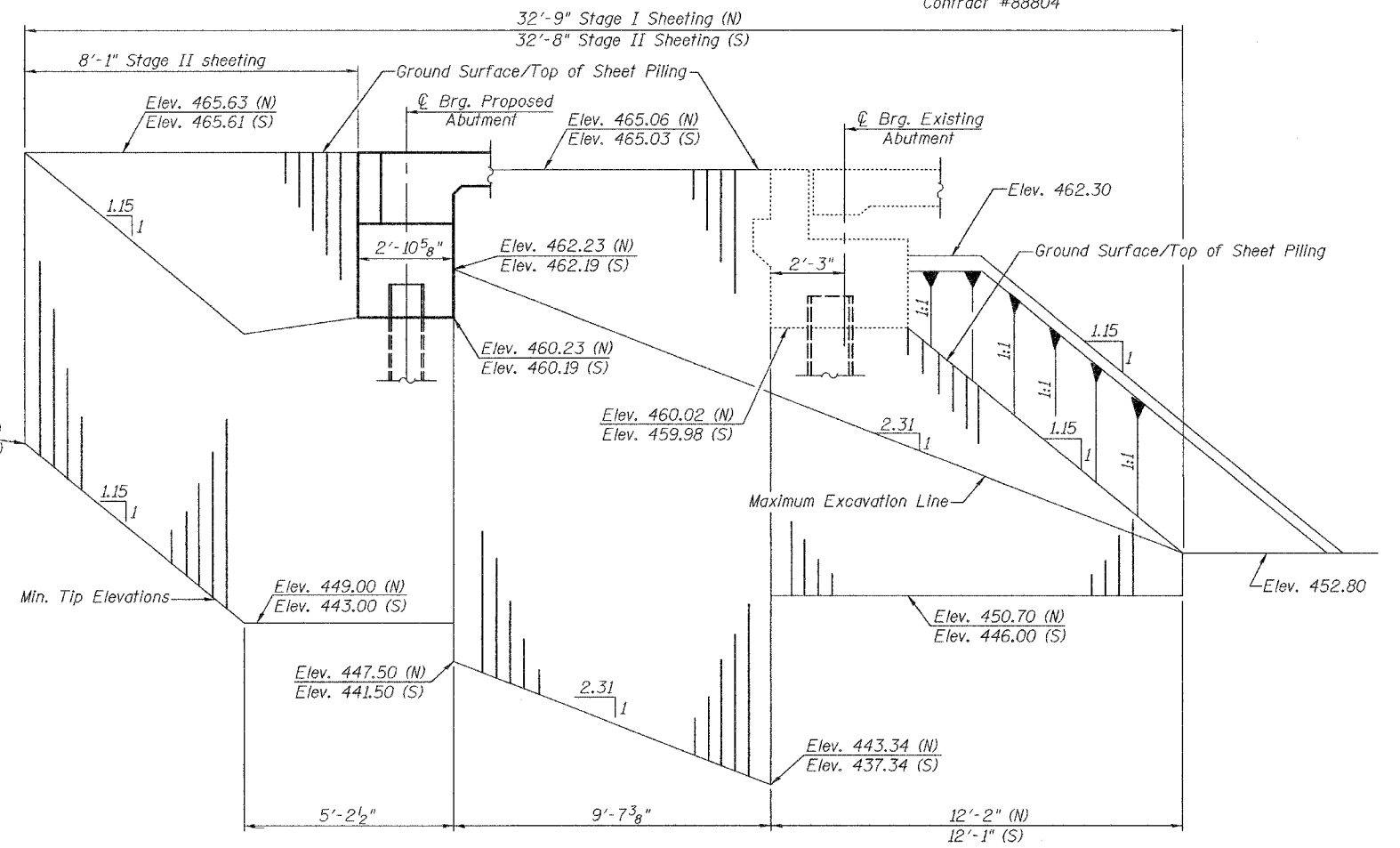


**STAGE II CONSTRUCTION**

Notes:  
All staging sections are looking South.  
For quantity of Temporary Concrete Barriers, see roadway plans.  
Hatched area indicates Removal of Existing Structures.

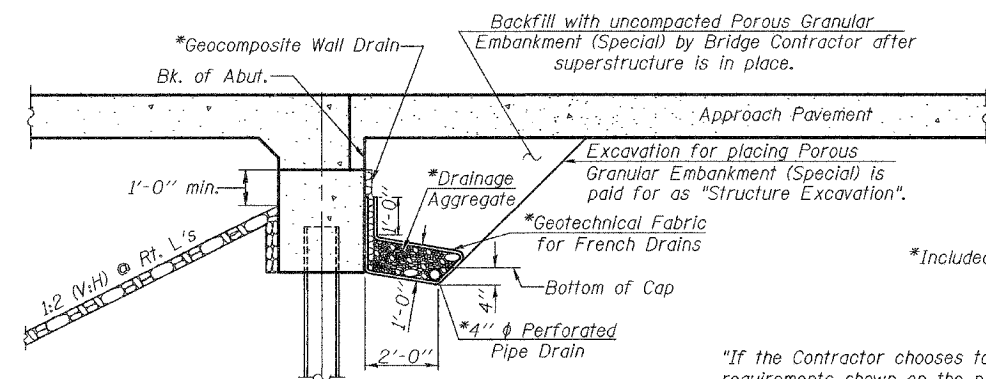
|          |                      |
|----------|----------------------|
| DESIGNED | Philip E. Coppernoll |
| CHECKED  | Roy Ahanchi          |
| DRAWN    | Amber M. Seiber      |
| CHECKED  | PEC/GRA              |

May 5 2006  
EXAMINED *Thomas J. Domagala*  
ENGINEER OF BRIDGE DESIGN  
PASSED *Ralph E. Anderson*  
ENGINEER OF BRIDGES AND STRUCTURES



Minimum Section Modulus = 12.0 in<sup>3</sup>/ft.

**TEMPORARY SHEET PILING**



**SECTION THRU ABUTMENT**

(Horizontal dim. @ Rt. L's)

All drainage components shall extend to 2'-0" from the end of each wingwall except an outlet pipe shall extend until intersecting with the side slopes. The pipes shall drain into concrete headwalls. (See Article 601.05 of the Standard Specifications and Highway Standard 601101).

\*Included in the cost of Pipe Underdrains for Structures 4".  
\*If the Contractor chooses to alter the temporary cantilevered sheet piling design requirements shown on the plans, a design submittal including plan details and calculations will be required for review and acceptance by the Engineer\*.

**STAGE CONSTRUCTION DETAILS**  
F.A.P. ROUTE 669-SEC. 11BR-2  
TAZEWELL COUNTY  
STATION 275+77.36  
STRUCTURE NO. 090-0174