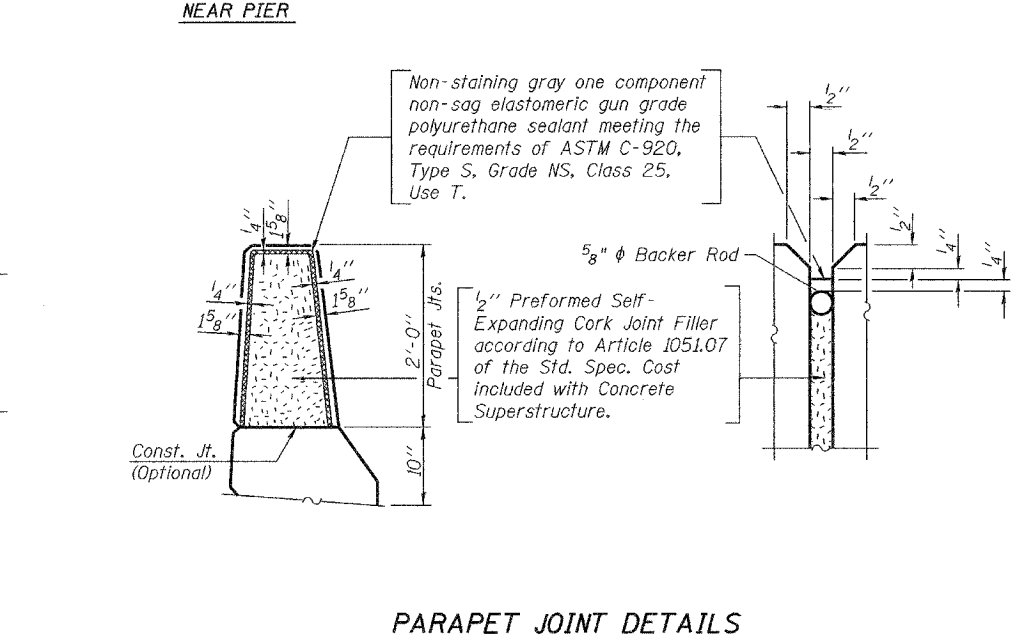
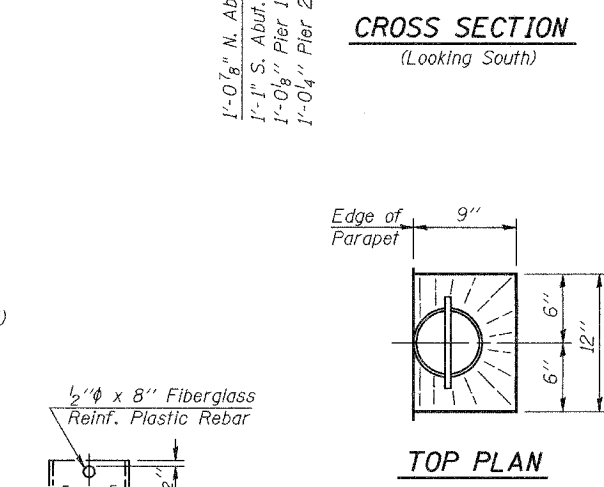
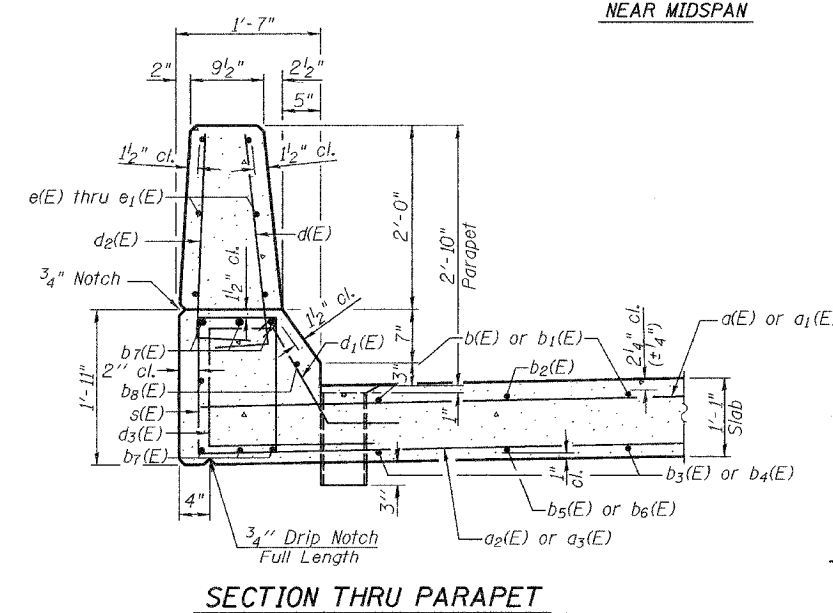
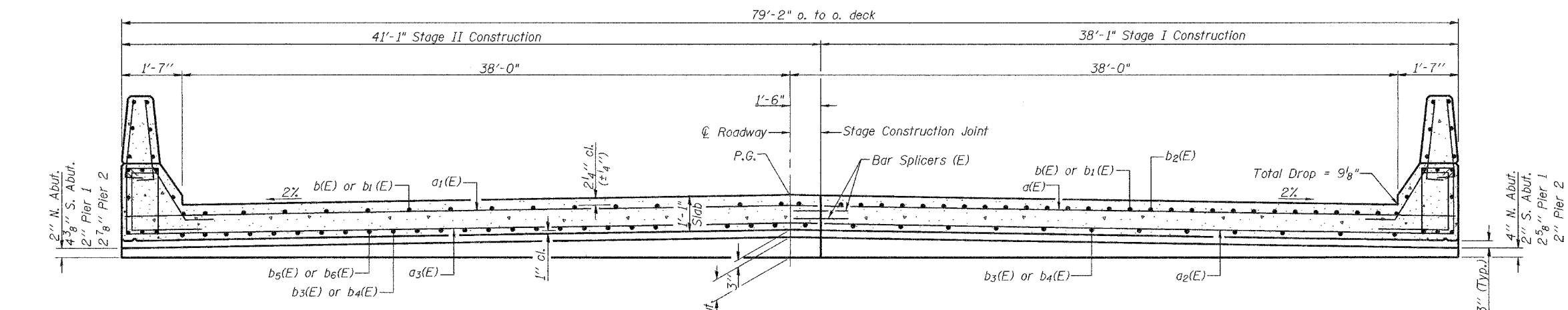
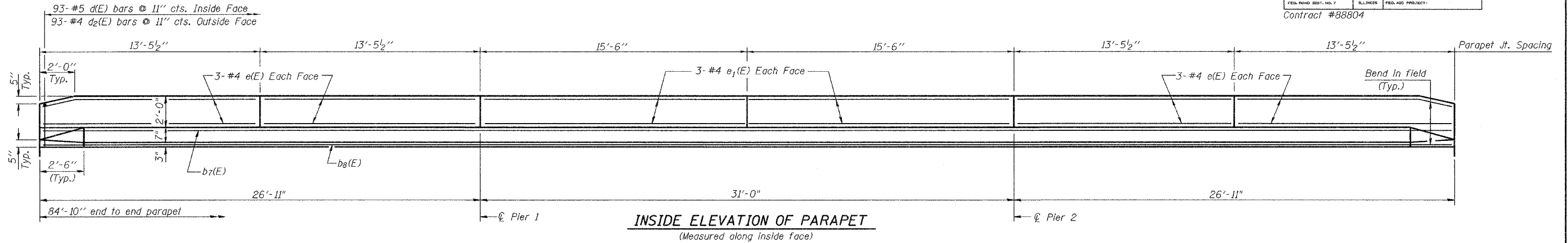


STATE OF ILLINOIS  
DEPARTMENT OF TRANSPORTATION

ROUTE NO.	SECTION	COUNTY	STATION	SHEET NO.	SHEET NO. 7
F.A.P. 669	11BR-2	TAZEWELL	442	262	14 SHEETS
FED. ROAD DIST. NO. 7	ILLINOIS	FED. AID PROJECT	Contract #88804		



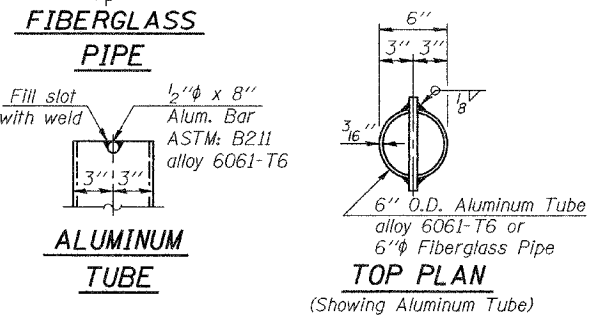
**SUPERSTRUCTURE  
BILL OF MATERIAL**

Bar	No.	Size	Length	Shape
a(E)	59	#5	37'-9"	—
a1(E)	59	#5	40'-9"	—
a2(E)	148	#6	37'-9"	—
a3(E)	148	#6	40'-9"	—
a4(E)	8	#5	43'-8"	—
a5(E)	8	#5	47'-2"	—
b(E)	142	#5	13'-9"	—
b1(E)	142	#9	33'-1"	—
b2(E)	138	#9	12'-9"	—
b3(E)	116	#9	28'-7"	—
b4(E)	58	#9	32'-0"	—
b5(E)	112	#9	24'-5"	—
b6(E)	56	#9	21'-6"	—
b7(E)	36	#8	31'-2"	—
b8(E)	12	#5	29'-9"	—
d(E)	186	#5	3'-0"	—
d1(E)	176	#5	2'-5"	—
d2(E)	186	#4	3'-0"	—
d3(E)	186	#4	3'-8"	—
d4(E)	12	#5	2'-2"	—
e(E)	48	#4	13'-1"	—
e1(E)	24	#4	15'-2"	—
s(E)	172	#4	5'-9"	—
s1(E)	162	#4	4'-7"	—
s2(E)	162	#4	5'-10"	—
u(E)	162	#4	6'-0"	—
u1(E)	162	#4	6'-7"	—
Reinforcement Bars, Epoxy Coated	Pound	87070		
Concrete Superstructure	Cu. Yd.	316.3		

Reinforcement bars designated (E) shall be epoxy coated.  
For bar splicer details see sheet 11 of 14.

DESIGNED Philip E. Coppernoll  
CHECKED Ray Ahanchi  
DRAWN Amber M. Seiber  
CHECKED PEC/GRA

EXAMINED Thomas J. Domagalaki  
PASSED Ralph E. Anderson  
MAY 5 2006



Notes:  
The exterior surfaces of the floor drains shall be coated or pigmented by the manufacturer with a color that matches the concrete.  
Fiberglass pipe shall conform to ASTM D 2996, with short-time rupture strength hoop tensile stress of 30,000 p.s.i. minimum.

**SUPERSTRUCTURE DETAILS**  
F.A.P. ROUTE 669-SEC. 11BR-2  
TAZEWELL COUNTY  
STATION 275+77.36  
STRUCTURE NO. 090-0174