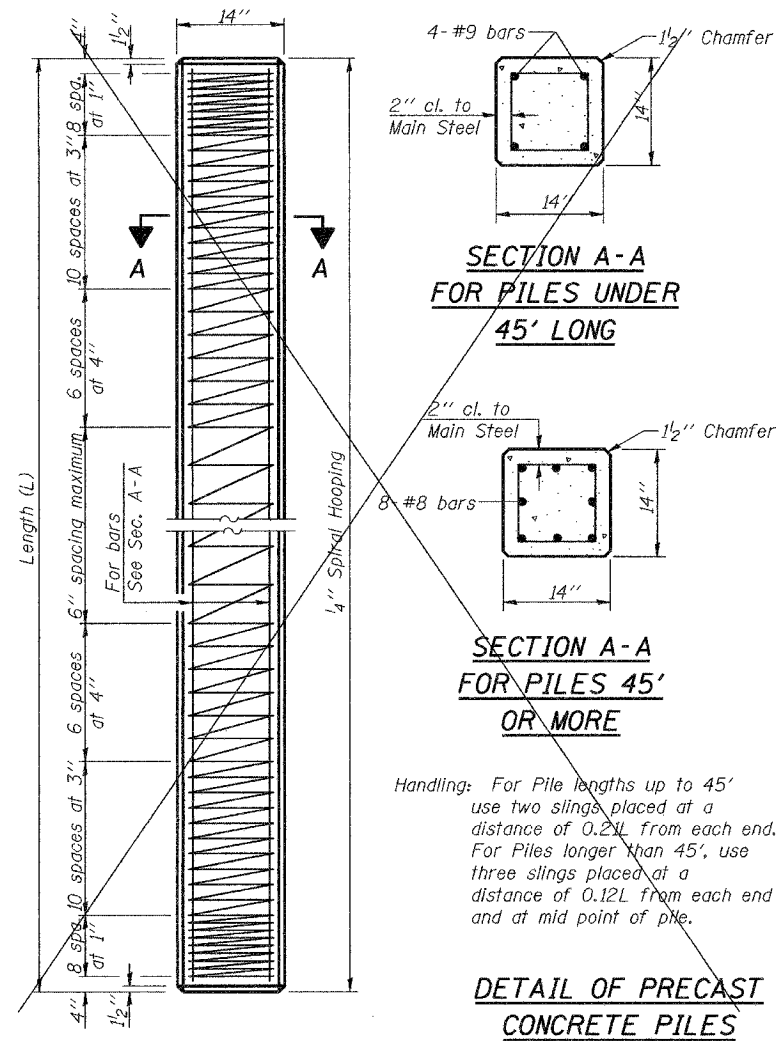


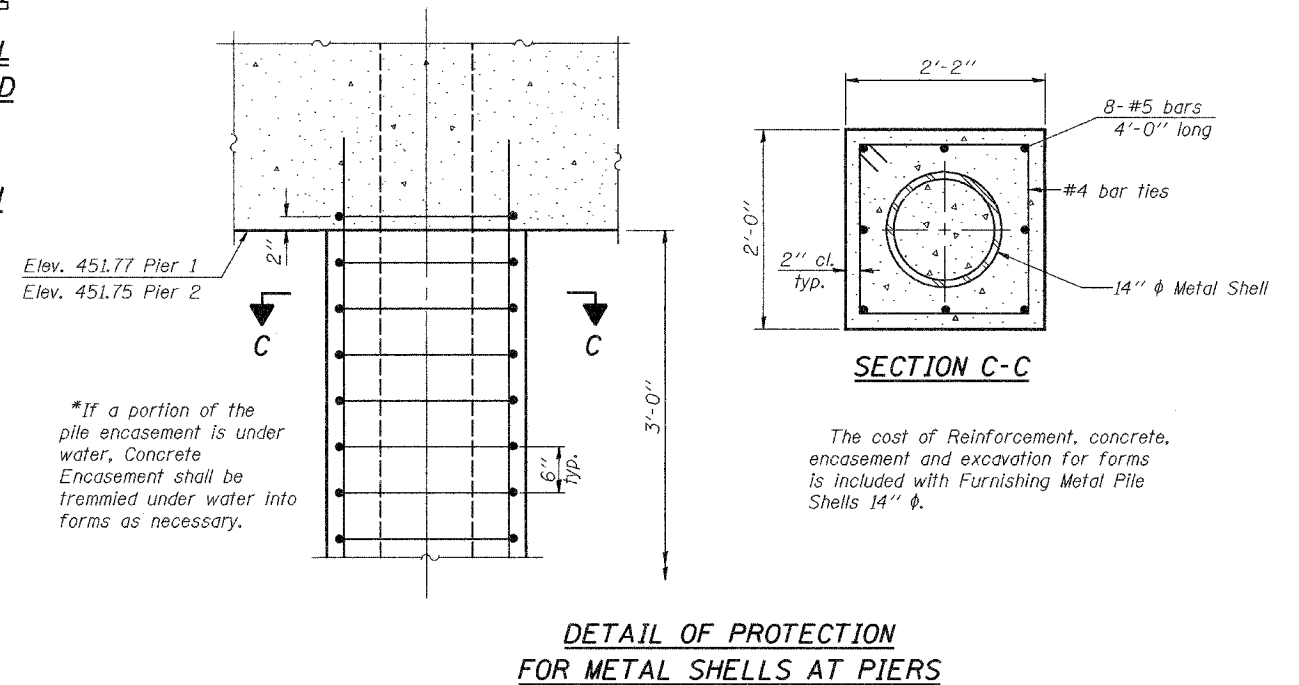
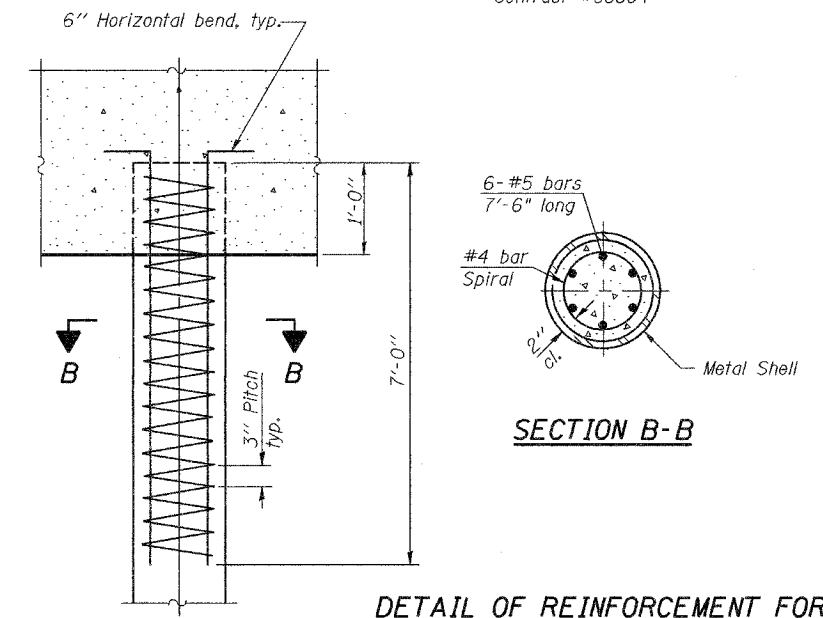
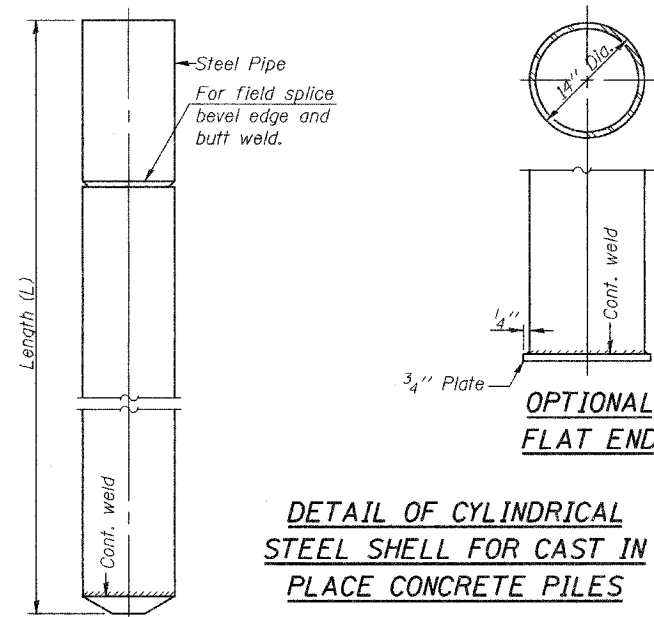
STATE OF ILLINOIS
DEPARTMENT OF TRANSPORTATION

ROUTE NO.	SECTION	COUNTY	TOTAL SHEETS	SHEET NO.	SHEET NO. 12
F.A.P. 669	11BR-2	TAZEWELL	442	267	14 SHEETS
FED. ROAD DIST. NO. 7	ILLINOIS	FED. AID PROJECT-			

Contract #88804



Notes:
Driving and bearing ends of pipe shall be cut square. The thickness of the shell shall be 0.250 inches with a tolerance of 5%. The shell shall be according to Article 1006.05(a) of the Standard Specifications.



The cost of Reinforcement, concrete, encasement and excavation for forms is included with Furnishing Metal Pile Shells 14" ϕ .

CONCRETE PILE DETAILS
F.A.P. ROUTE 669-SEC. 11BR-2
TAZEWELL COUNTY
STATION 275+77.36
STRUCTURE NO. 090-0174

DESIGNED	Philip E Copperrnoll
CHECKED	Ray Ahanchi
DRAWN	Amber M. Seiber
CHECKED	PEC/GRA

EXAMINED	Thomas J. Domagala	May 5 2006
PASSED	Ralph E. Anderson	