

STATE OF ILLINOIS
DEPARTMENT OF TRANSPORTATION

ROUTE NO.	SECTION	COUNTY	STATION	SHEET NO.
F.A.P. 669	IIBR-1	TAZEWELL	442	289
FED. ROAD DIST. NO. 7		ILLINOIS	FED. AID PROJECT-	

Contract #88804

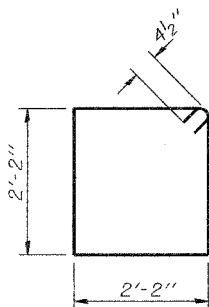
SHEET NO. 20
32 SHEETS

Notes: Space reinforcement in cap to miss anchor bolts.
Four steps monolithically with cap.

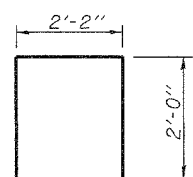
PILE DATA

Type: 14" ϕ Metal Shell
Capacity: 45 ton driven to 65 tons bearing
Est. Length: 91' Stage I to 78' Stage II
No. Req'd: 21 + 1 test pile*

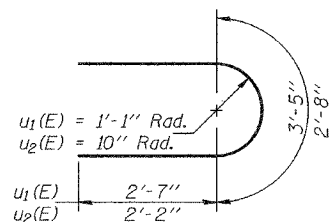
*Test pile to be driven at Stage I Const.
See sheet 21 of 32.



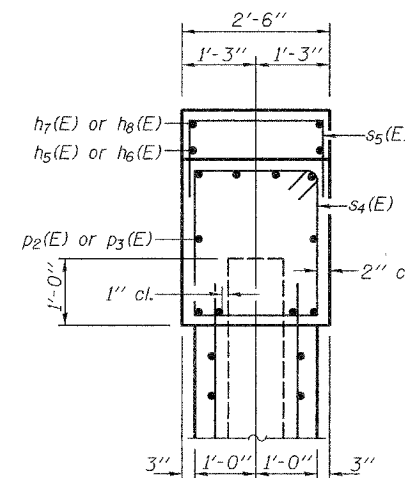
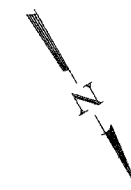
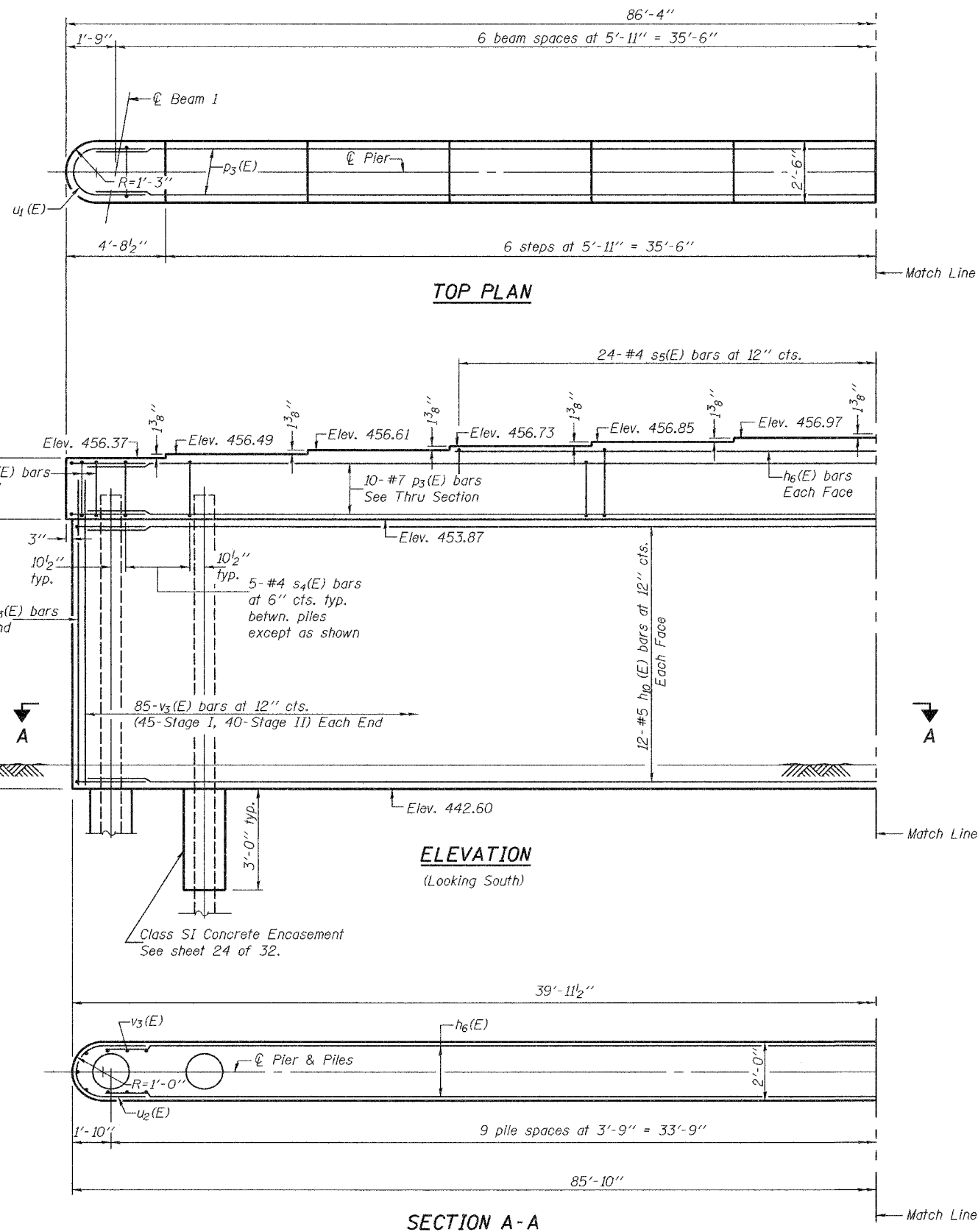
BAR $s_4(E)$



BAR $s_5(E)$



BARS $u_1(E)$ and $u_2(E)$



SECTION B-B

BILL OF MATERIAL

Bar	No.	Size	Length	Shape
$h_5(E)$	2	#4	29'-3"	—
$h_6(E)$	2	#4	23'-4"	—
$h_7(E)$	2	#4	11'-6"	—
$h_8(E)$	2	#4	5'-7"	—
$h_9(E)$	24	#5	44'-8"	—
$h_{10}(E)$	24	#5	38'-9"	—
$p_2(E)$	10	#7	44'-8"	—
$p_3(E)$	10	#7	38'-9"	—
$s_4(E)$	116	#4	9'-5"	□
$s_5(E)$	54	#4	6'-2"	□
$u_1(E)$	8	#6	8'-7"	U
$u_2(E)$	24	#5	7'-0"	U
$v_3(E)$	176	#5	13'-4"	—
Concrete Structures		Cu. Yd.	94.4	
Reinforcement Bars, Epoxy Coated		Pound	7560	
Structure Excavation		Cu. Yd.	20	
Furnishing Metal Pile Shells 14"		Foot	1781	
Driving and Filling Shells		Foot	1781	
Test Pile Metal Shell		Each	1	
Underwater Structure Excavation Protection - Location 1		Each	1	

Reinforcement Bars designated (E) shall be epoxy coated.

DESIGNED	T.L.K.
CHECKED	A.M.J.
DRAWN	BECKY M. LEACH
CHECKED	A.M.J. & P.E.C.

EXAMINED	Thomas J. Domagala	May 10, 2006
PASSED	Ralph E. Anderson	

PIER 1
F.A.P. ROUTE 669 - SECTION IIBR-1
TAZEWELL COUNTY
STATION 301+87.90
STRUCTURE NO. 090-0172