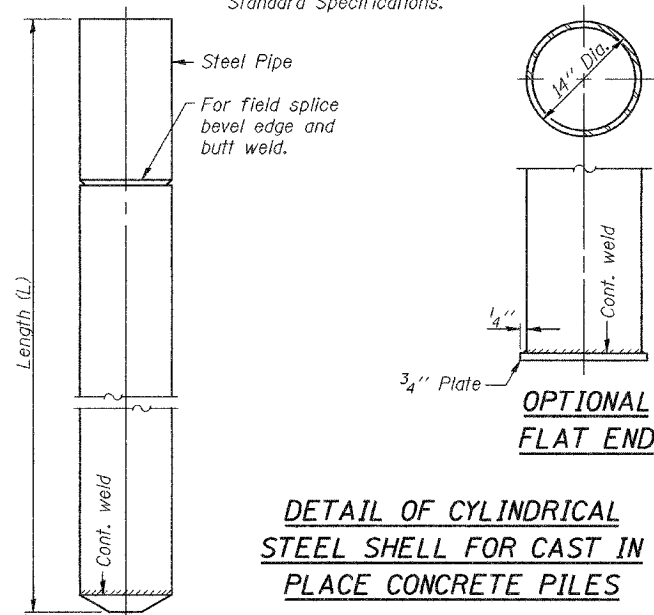


STATE OF ILLINOIS
DEPARTMENT OF TRANSPORTATION

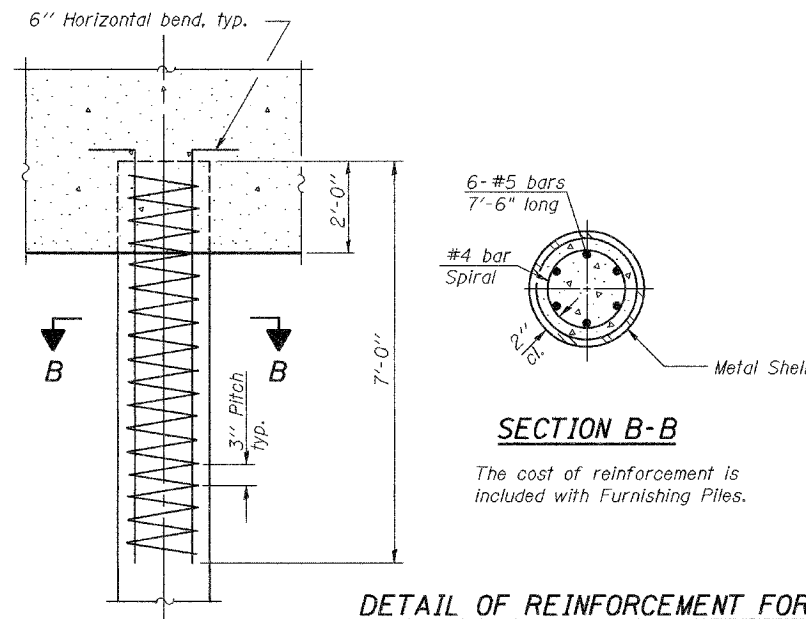
ROUTE NO.	SECTION	COUNTY	SHEET NO.	SHEET	SHEET NO. 24 32 SHEETS
F.A.P. 669	IIBR-1	TAZEWELL	442	293	
FED. ROAD DIST. NO. 7	ILLINOIS	FED. AID PROJECT-			

Contract #88804

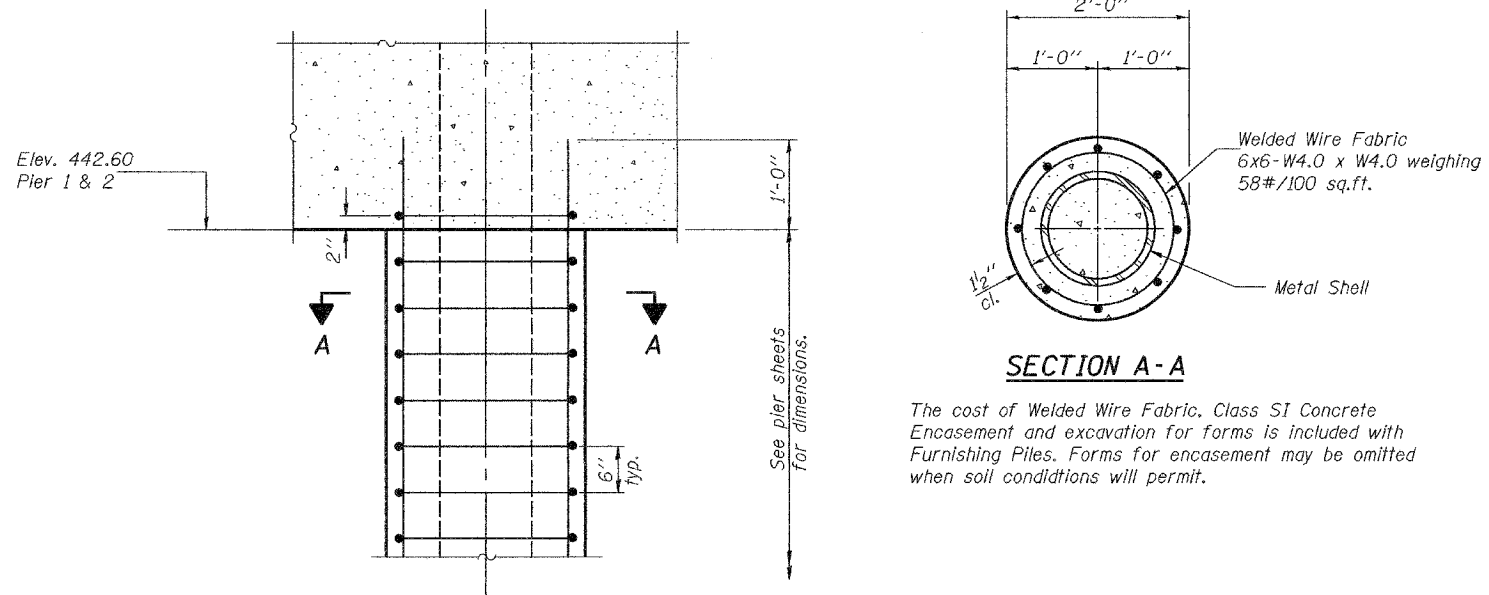
Notes: Driving and bearing ends of pipe shall be cut square. The thickness of the shell shall be 0.250 inches with a tolerance of 5%. The shell shall be according to Article 1006.05(a) of the Standard Specifications.



DETAIL OF CYLINDRICAL STEEL SHELL FOR CAST IN PLACE CONCRETE PILES



DETAIL OF REINFORCEMENT FOR METAL SHELLS AT ABUTMENTS



DETAIL OF PROTECTION FOR METAL SHELLS AT PIERS

DESIGNED	T.L.K.
CHECKED	A.M.J.
DRAWN	BECKY M. LEACH
CHECKED	A.M.J. & P.E.C.

May 10, 2006
 EXAMINED *Thomas J. Damagala*
 ENGINEER OF BRIDGE DESIGN
 PASSED *Ralph E. Anderson*
 ENGINEER OF BRIDGES AND STRUCTURES

CONCRETE PILE DETAILS
F.A.P. ROUTE 669 - SECTION IIBR-1
TAZEWELL COUNTY
STATION 301+87.90
STRUCTURE NO. 090-0172