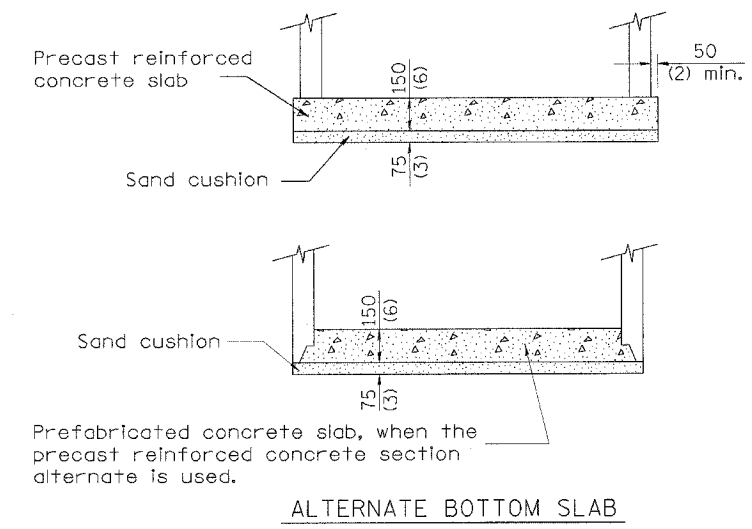
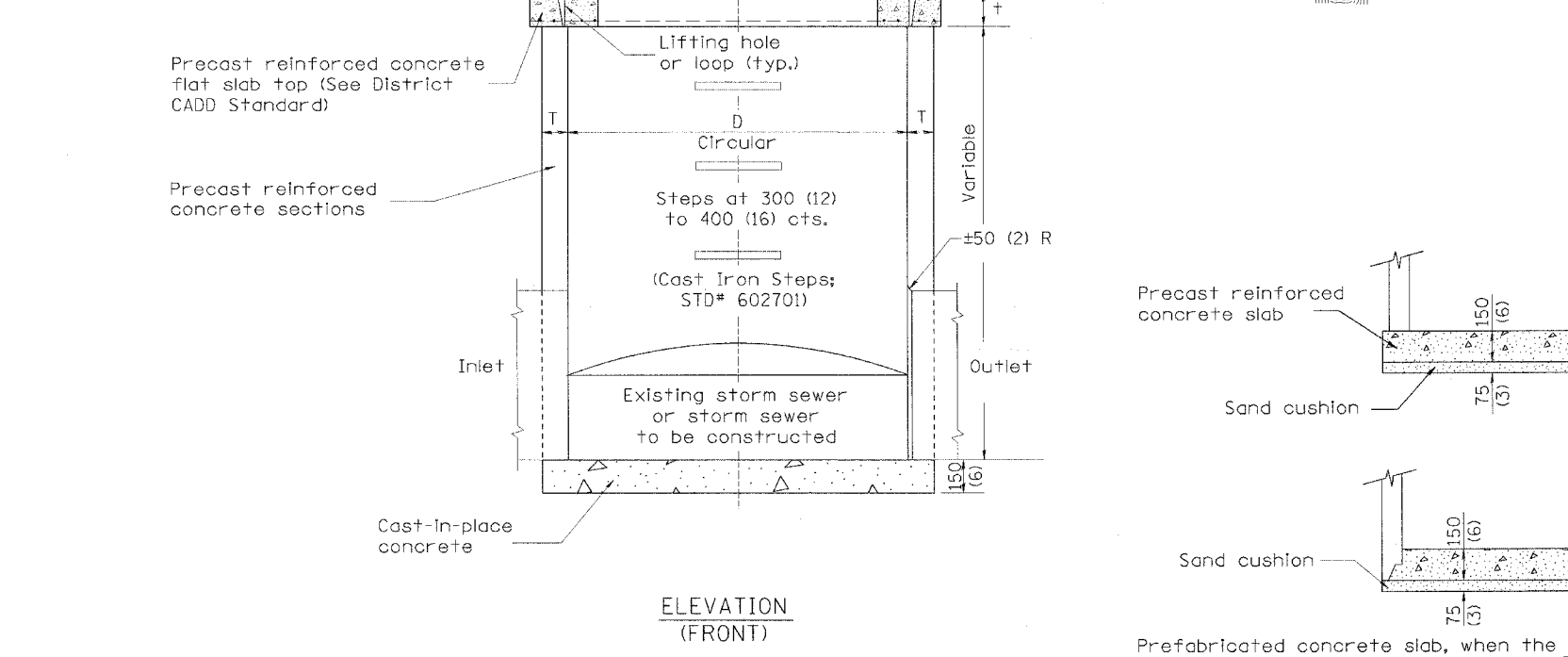
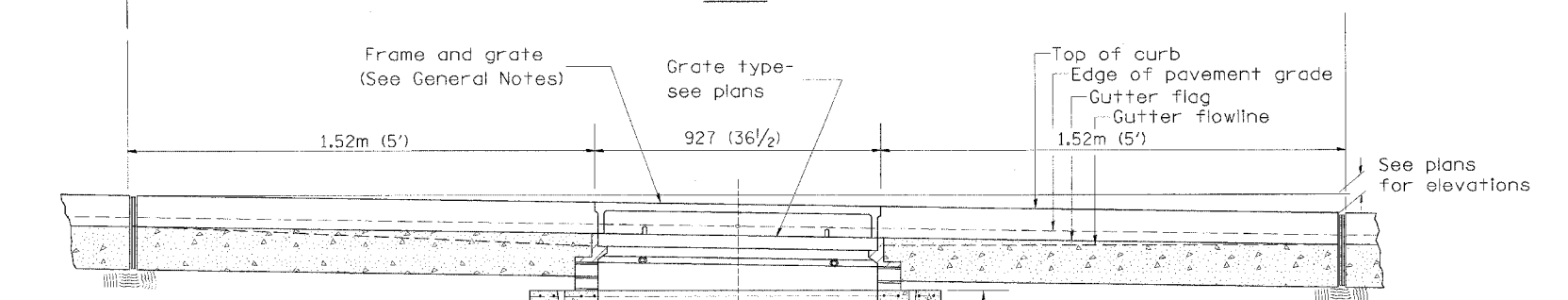
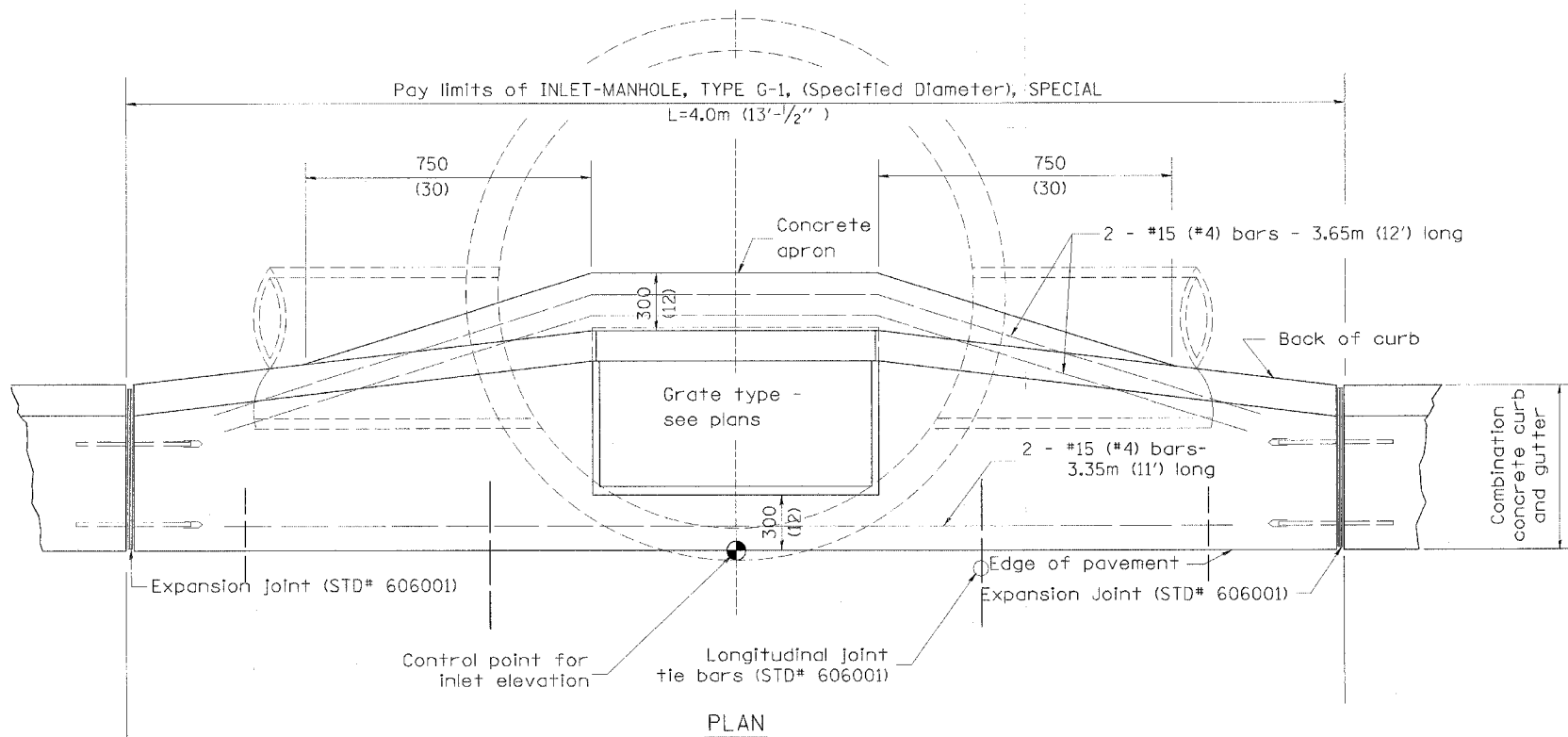


F.A.P. RTE.	SECTION	COUNTY	TOTAL SHEETS	SHEET NO.
669	11W-3,RS-8,*	TAZEWELL	442	315
STA.		TO STA.		
FED. ROAD DIST. NO.		ILLINOIS FED. AID PROJECT		

*11BR-1,11BR-2



GENERAL NOTES

1. Inlet-manhole construction shall be in accordance with Section 602 of the Standard Specifications.
2. Combination concrete curb and gutter shall be constructed in accordance with Section 606 of the Standard Specifications.
3. See District CADD Standard 604001-D4 for frame and grates.
4. See District CADD Standard for precast reinforced concrete flat slab top.

TABLE

D	T	+
1.2m (4')	125 (5)	150 (6)
1.5m (5')	150 (6)	200 (8)
1.8m (6')	195 (7 3/4)	200 (8)
2.4m (8')	225 (9)	250 (10)

All dimensions are in millimeters (inches) unless otherwise noted.

ILLINOIS DEPARTMENT OF TRANSPORTATION
DISTRICT CADD STANDARD

INLET-MANHOLE, TYPE G-1, SPECIAL

CADD STANDARD 602026-D4
SCALE NOT TO SCALE
DATE **DATE**
DRAWN BY CADD
CHECKED BY

DATE	REVISIONS	BY
1-1-97	RENUM. B-4.06, NEW REVISION BOX	T.P.
12-1-98	CORRECT E. O. P. NOTE	J.A.
10-99	REVISION TO GENERAL NOTES	J.A.

DESIGNER NOTES:
 Include State STD# 606001 for combination concrete curb and gutter details.
 Include State STD# 420001 for pavement joints.
 Include State STD# 602701 for cast iron steps.
 Include District CADD Standard for frame and grates.
 Include District CADD Standard for precast reinforced concrete flat slab top.
 Include District CADD Standard for precast reinforced concrete curb and gutter.
 Include District Special Provision. Pay item includes inlet - manhole, flat slab top, transitional c.c.&g. and frame and grate. All work within pay limits.
 Specify diameter of inlet - manhole in plans.
 Specify grate type in plans.
 DATE